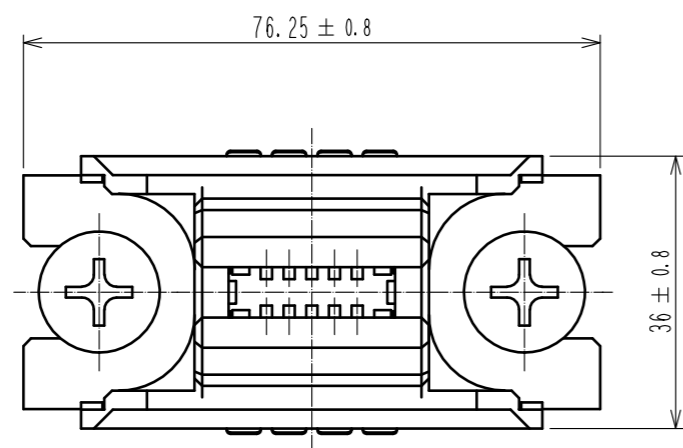
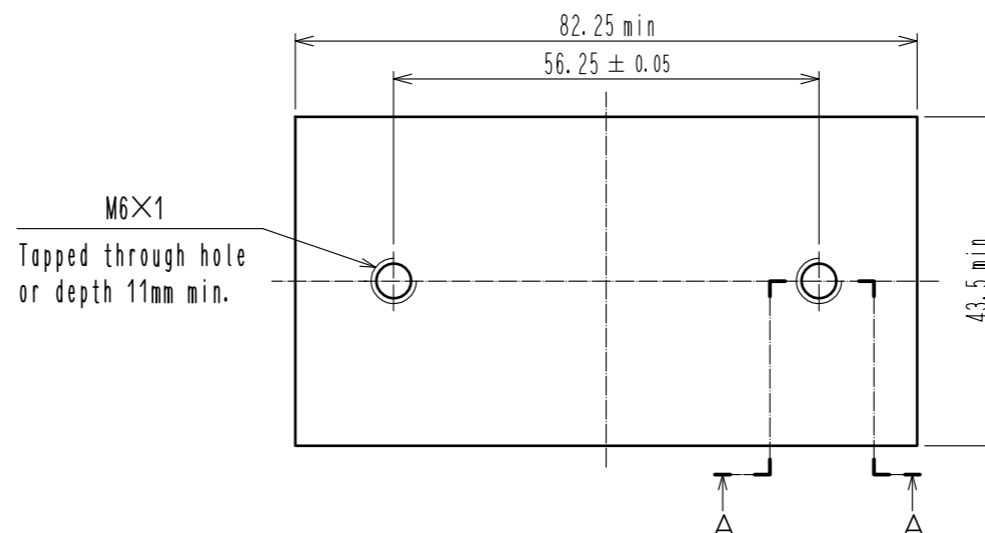


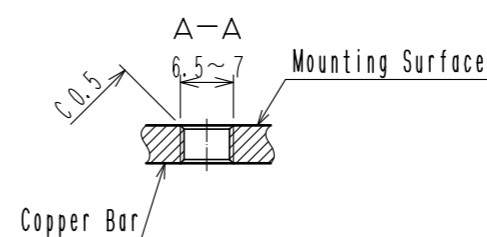
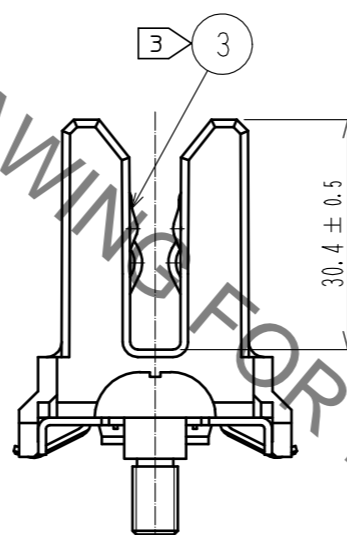
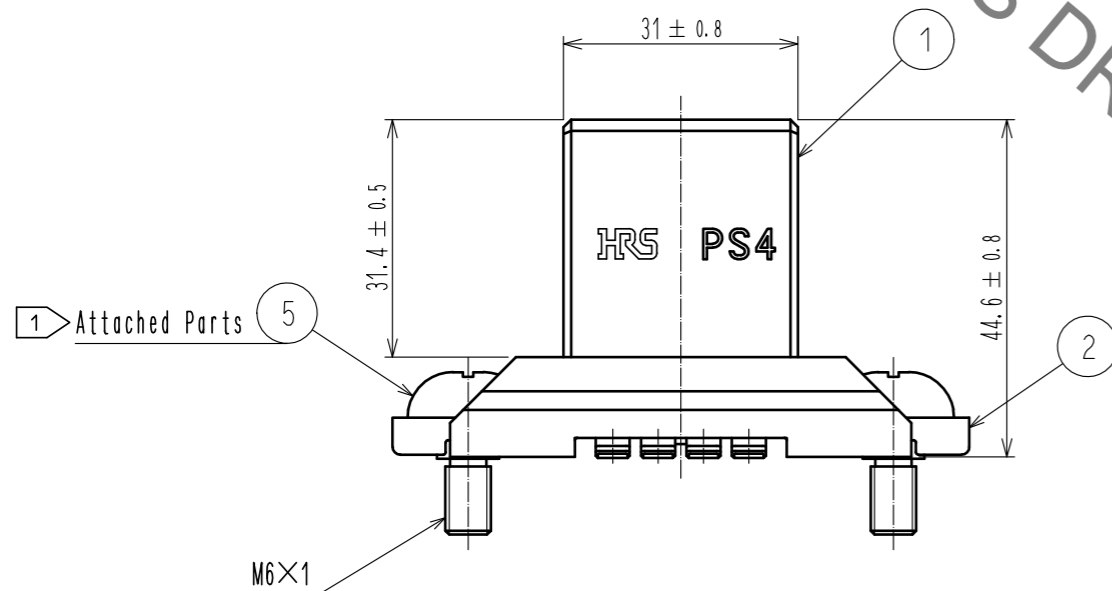
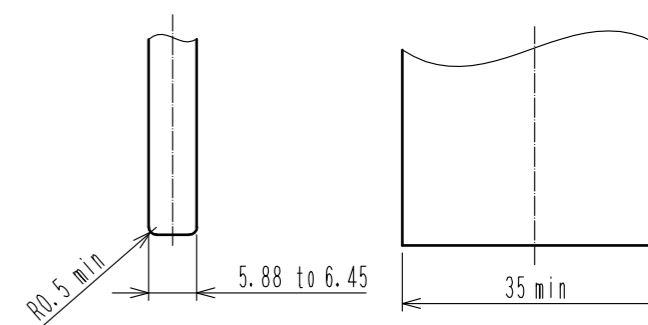
Jun.1.2019 Copyright 2019 HIROSE ELECTRIC CO., LTD. All Rights Reserved.
In case of consideration for using Automotive equipment / device which demand high reliability, kindly contact our sales window correspondents.



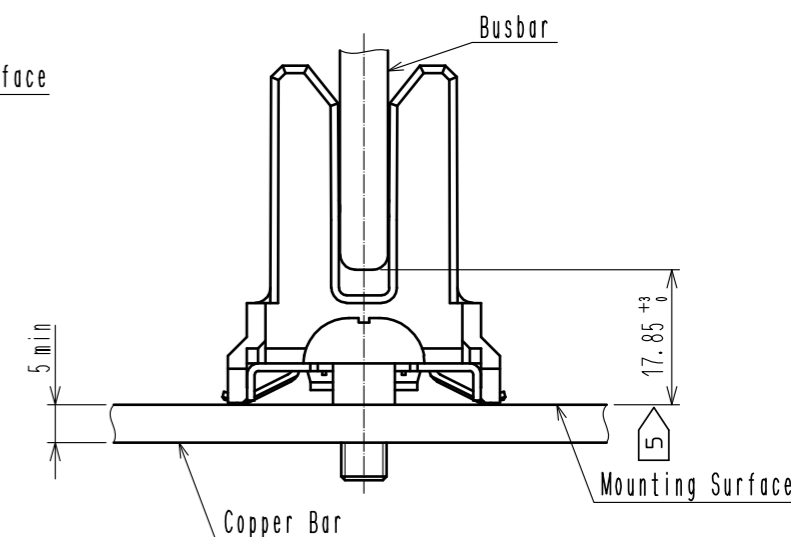
Copper bar Dimensions
(connector mounting bar)



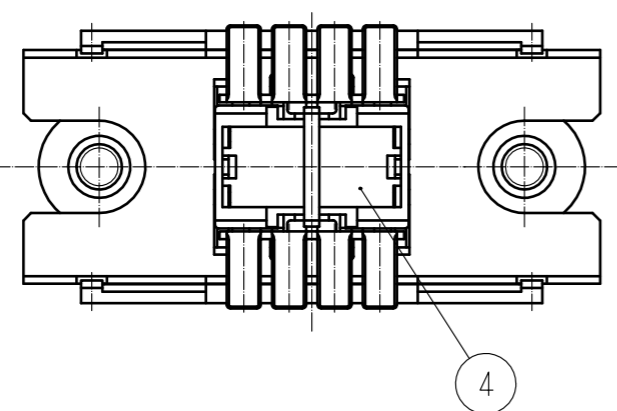
Busbar Dimensions
(mating busbar)



View Of Mounting State



- Notes
- 1 The recommended tightening torque for the Ref No.5 is 5 N·m.
 - 2 This product has floating range of ±2mm from the center of the connector.
 - 3 There are some cases that plating color of Ref No.3 may change from silver to blackish brown due to chemical reaction by sulfure in the atmosphere.
 - 4 Busbar and copper bar shall be either silver plating.
 - 5 The recommended distance between installation site and tip of busbar shall be 17.85⁺³mm.



2	Stainless Steel		5	Steel	Nickel Plating : 2μm min
1	PBT	Black. UL94V-0	4	PBT	Black. UL94V-0
			3	Copper Alloy	Silver Plating : 2μm min
NO.	MATERIAL	FINISH . REMARKS	NO.	MATERIAL	FINISH . REMARKS

UNITS mm		SCALE 1 : 1	COUNT 	DESCRIPTION OF REVISIONS	DESIGNED	CHECKED	DATE
APPROVED : NM. NISHIMATSU 16.11.15				DRAWING NO. EDC-128870-01-00			
CHECKED : NM. NISHIMATSU 16.11.15				PART NO. PS4A-6.35T(01)			
DESIGNED : MO. SHIMOYAMA 16.11.14				CODE NO. CL236-1018-0-01			
DRAWN : MO. SHIMOYAMA 16.11.14							