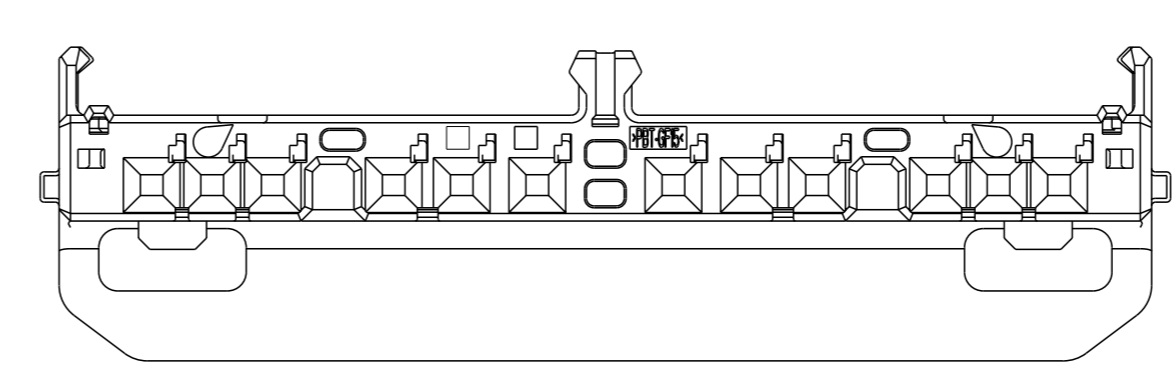
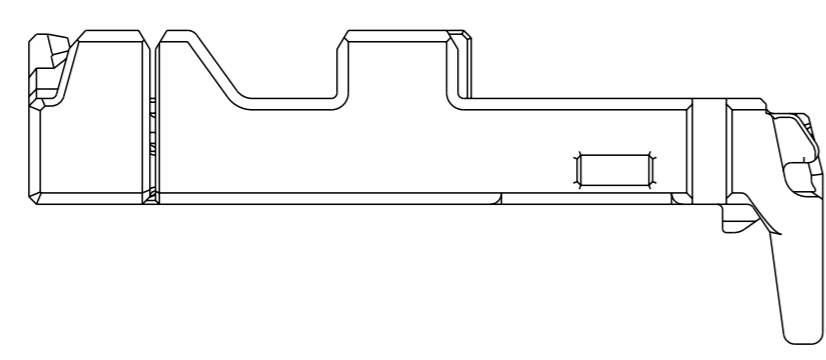
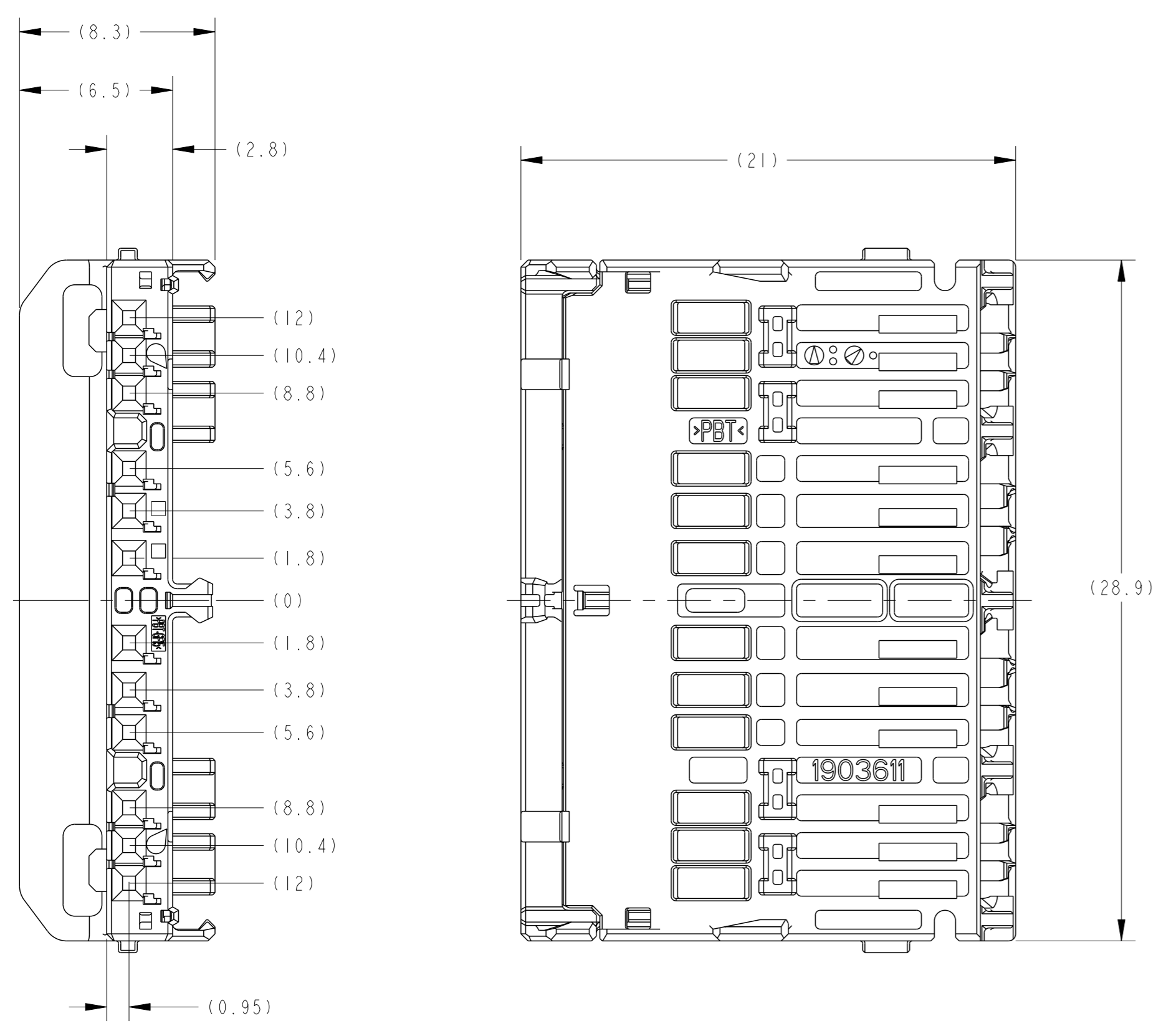
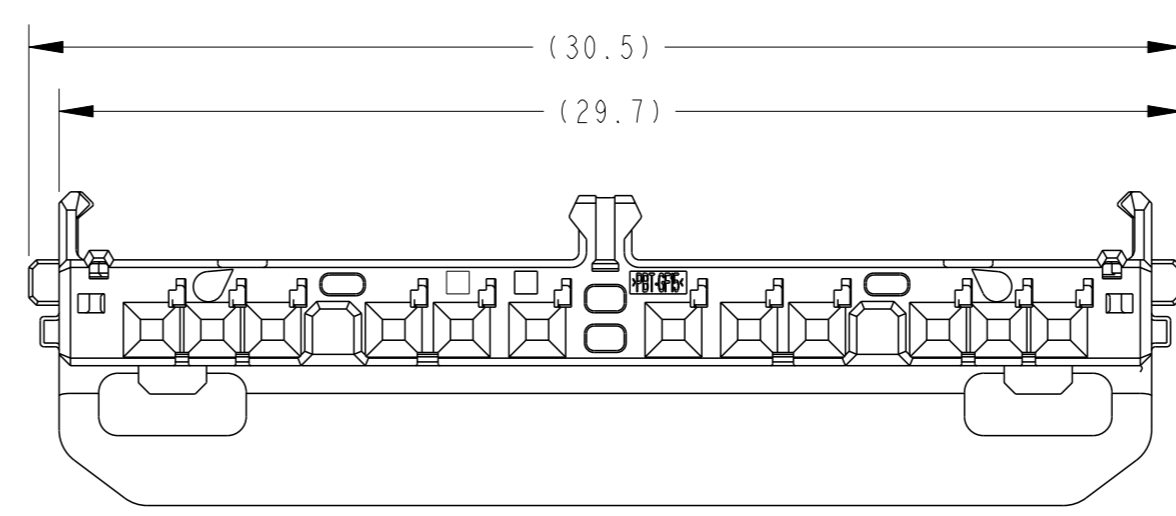


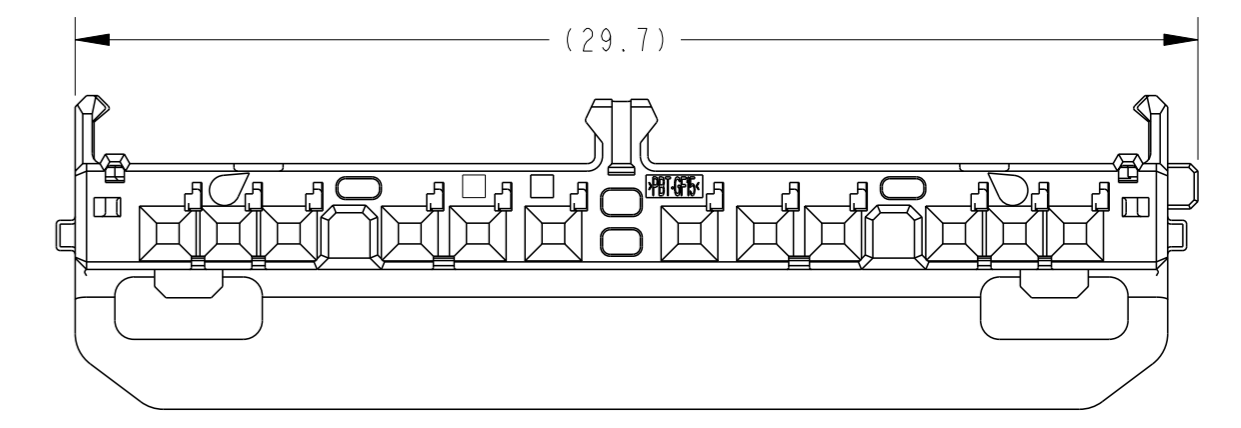
-1: AS SHOWN
 -1: 本図



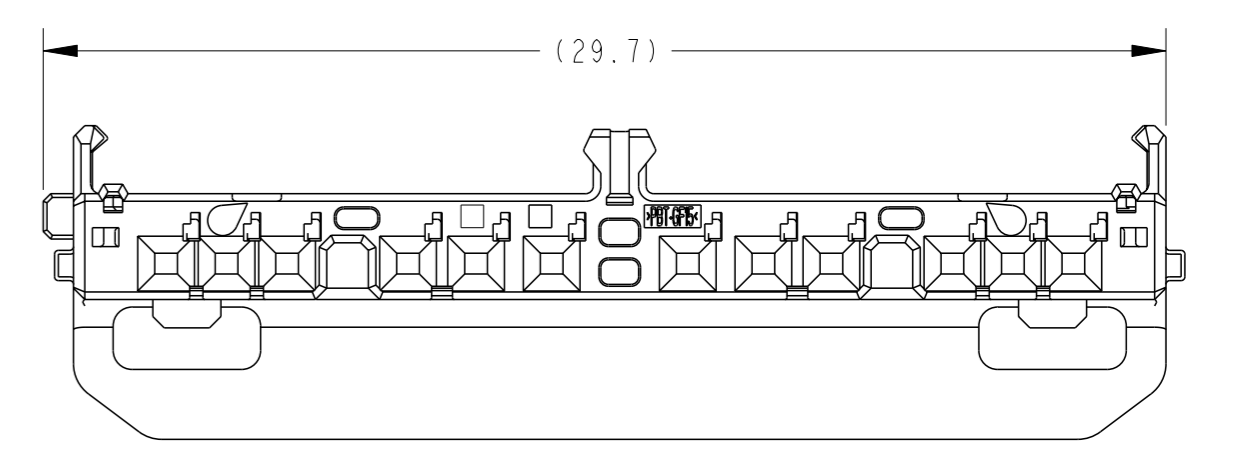
1903611-4
 1-1903611-0
 1-1903611-6



2-1903611-5
 2-1903611-6



1903611-5
 1-1903611-1
 1-1903611-7



1903611-6
 1-1903611-2

1. 本製品は、別番のコンポーネントと組合せて使用する。
2. 取扱説明書 NO: 411-78268, 78269
3. 組合せ相手型番: 取扱説明書を参照のこと。
4. 組合相手代表型番: 取扱説明書を参照のこと。
5. 適用端子: TABLE-1参照

1. THIS PRODUCT IS USED STACK WITH ANOTHER COMPONENTS.
2. HANDLING OF THIS PART SHOULD FOLLOW INSTRUCTION SHEET NO.411-78268,78269.
3. COMPONENTS NUMBER OF STACKING;REFERENCE TO INSTRUCTION SHEET.
4. MATING CONNECTOR PART(TYPICAL);REFERENCE TO INSTRUCTION SHEET.
5. APPLIED TERMINAL;SEE TABLE-1

TABLE-1

		APPLIED TERMINAL P/N 適用端子 P/N	APPLICABLE WIRE RANGE 適用電線
SIGNAL 0.5	TIN	1827855-4	0.13-0.5mm ²
	TIN	1827855-1	
	GOLD	1903703-1	
	TIN	1827855-2	
	TIN	1827855-3	

PACKING STYLE 梱包形態	COLOR 色	PART NO.
PAPER BOX タンボール箱	SOFT TRAY プラスチックトレイ	GRAY 2-1903611-7
		BLACK 2-1903611-6
		NATURAL 2-1903611-5
		GRAY 1-1903611-8
		GRAY 1-1903611-7
		GRAY 1-1903611-6
	BLACK	GRAY 1-1903611-5
		GRAY 1-1903611-4
		GRAY 1-1903611-3
		1-1903611-2
		1-1903611-1
		1-1903611-0
NATURAL	1-1903611-9	
	1-1903611-8	
	1-1903611-7	
	1903611-6	
	1903611-5	
	1903611-4	
OUTER 外装	INNER 内装	1903611-3
		1903611-2
		1903611-1
		1903611-0
		1903611-9
		1903611-8

THIS DRAWING IS A CONTROLLED DOCUMENT. OWN: K. KATO 09DEC08
 CHK: R. KOMIYAMA 09DEC08
 APVD: H. YAMAGAMI 09DEC08

TE Connectivity
0.5 12POSITION HOUSING ASSY
 STACKING TYPE

MATERIAL: PBT
 FINISH: SEE TABLE
 WEIGHT: 1.29 g
 CUSTOMER DRAWING: A1 00779 ©=1903611

SCALE: 5:1 SHEET 1 OF 1 REV: A2