

SUMMARY



Image is for illustrative purpose only

Wires

Low voltage 15

Series	3P
Termination type	Female solder
IP rating	61
AWG wire size	30.00 - 22.00
Cable Ø	0.00 - 0.00 mm
Status	active
Matching parts	FGG.3P.314.PLWD75V

Download

[Request a quote](#)

[Catalog](#)

TECHNICAL DETAILS

Mechanics

Shell Style/Model	EG*: Fixed receptacle, nut fixing with key
Keying	User configurable, 1 of 11 key positions. Plug: male contacts; Receptacle: female contacts
Housing Material	PSU (Polysulfone), gray
Weight	15.39 g

Performance

Configuration	3P.314 : 14 Low Voltage + 1 Ground contact
Insulator	L: PEEK (UL 94 / V-0/1.5)
Rated Current	4 Amps

Specifications

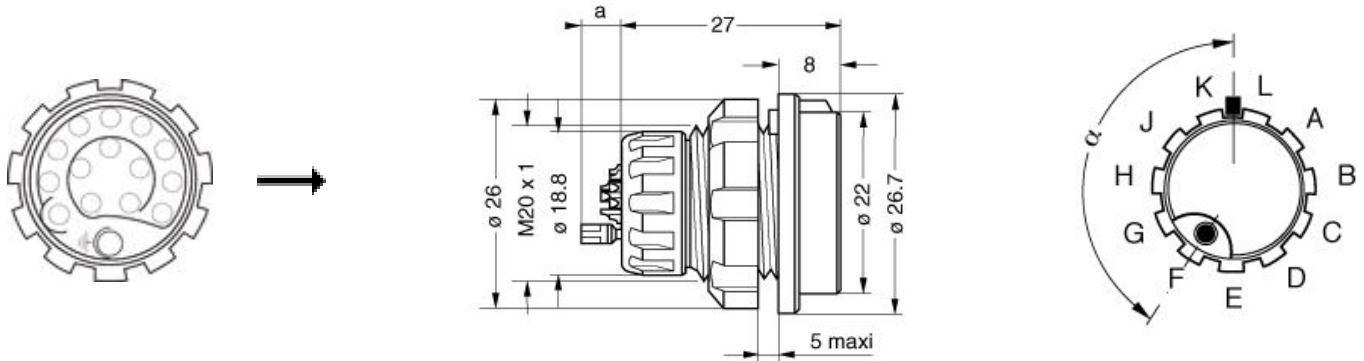
Contact Type: Special

Others

Endurance (Shell): >1000 mating cycles
Temp (min / max): -50°C / +150°C
F ret (min): 100 N
F ret (max): 200 N
Steam sterilization: 20 times

LEMO products and services are provided "as is". LEMO makes no warranties or representations with regard to LEMO product & services or use of them, express, implied or statutory, including for accuracy, completeness, or security. The user is fully responsible for his products and applications using LEMO components.

DRAWINGS



Dimensions

	A	N	a
mm.	26.7	27	4.7
in.	1,05	1,06	0,19

RECOMMENDED BY LEMO

Tools

LEMO products and services are provided "as is". LEMO makes no warranties or representations with regard to LEMO product & services or use of them, express, implied or statutory, including for accuracy, completeness, or security. The user is fully responsible for his products and applications using LEMO components.