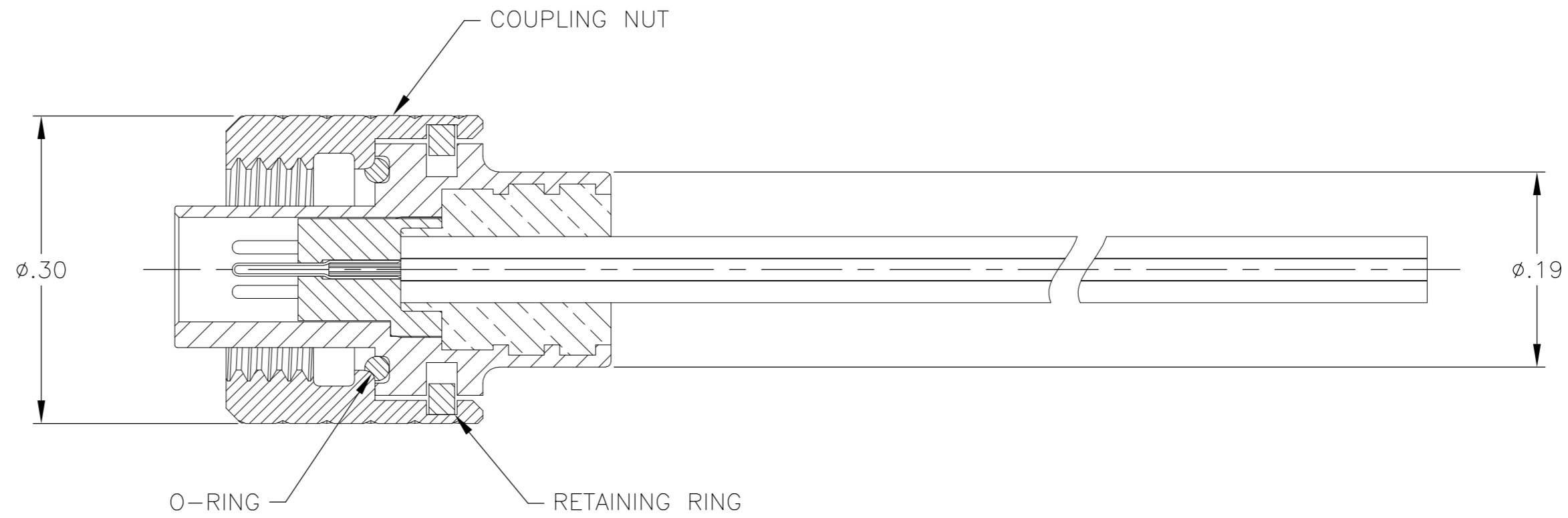
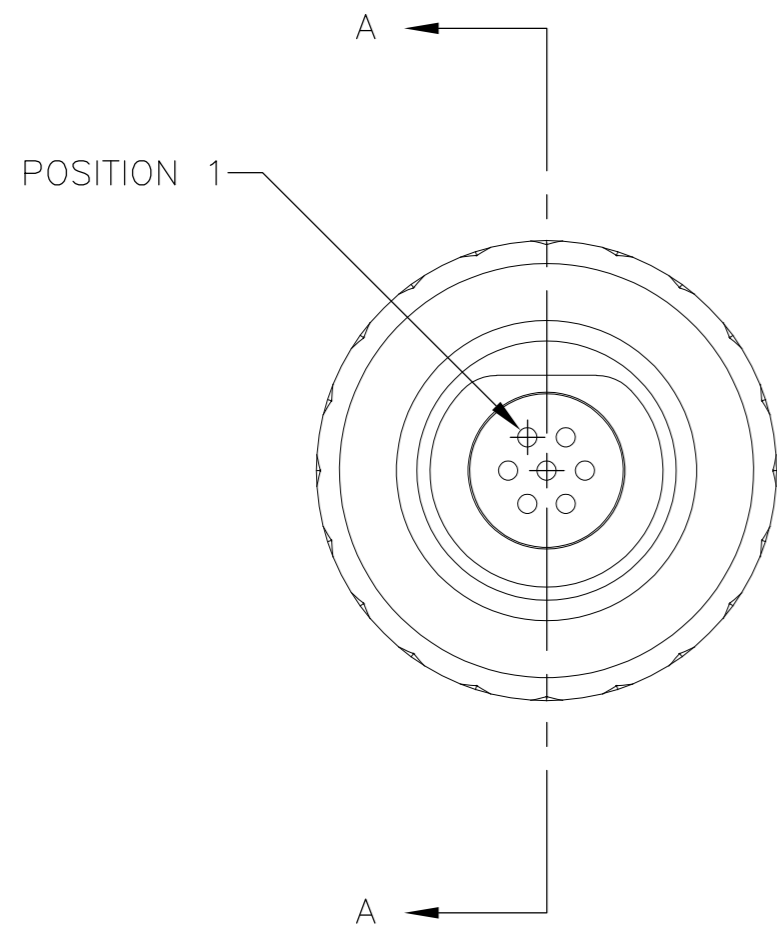
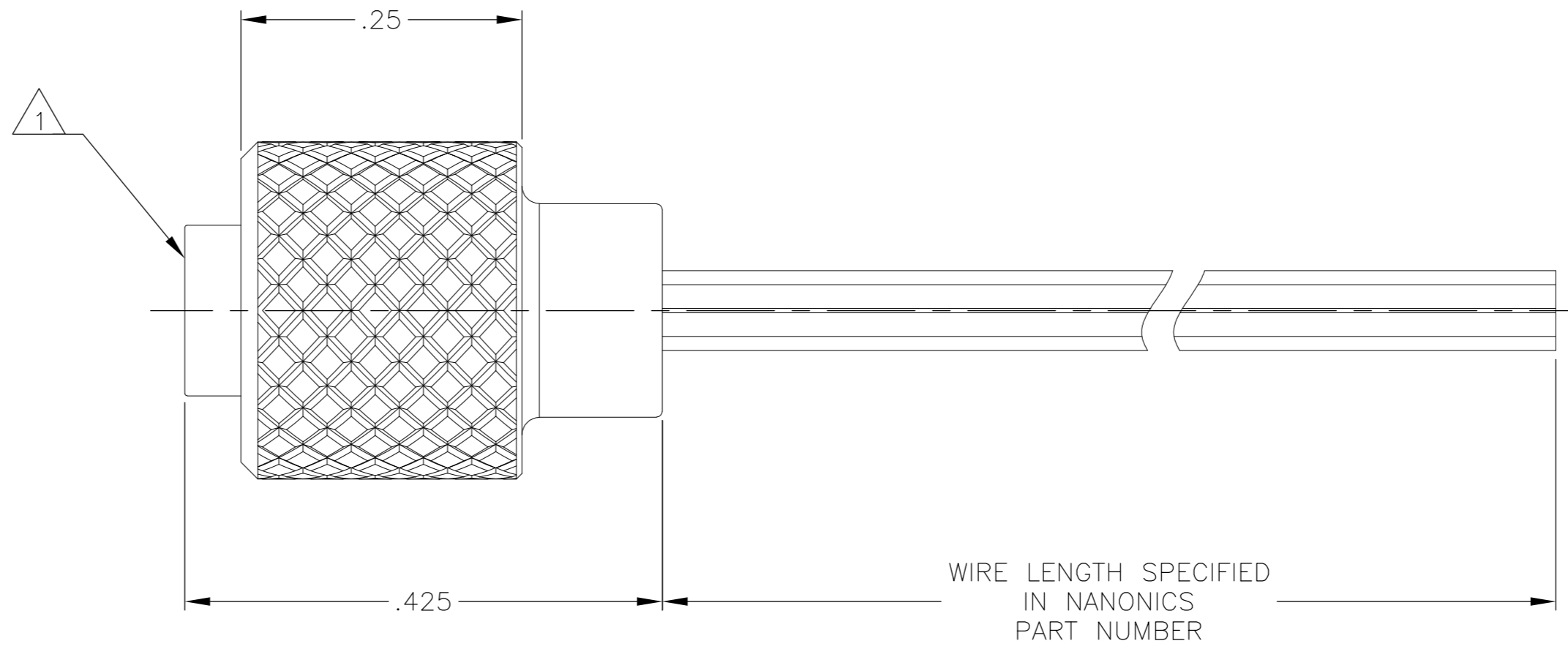
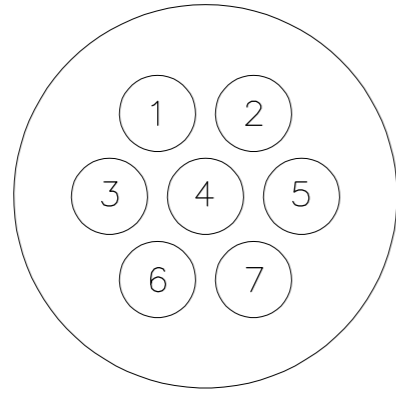


THIS DRAWING IS UNPUBLISHED. RELEASED FOR PUBLICATION
 © COPYRIGHT - By - ALL RIGHTS RESERVED.

LOC		DIST		REVISIONS			
P	LTR	DESCRIPTION		DATE	DWN	APVD	
	L	UPDATE PER ECO-11-013272		28 JUN 11	CAS	MKS	

CONTACT IDENTIFICATION



SECTION A-A

- 1 CONNECTOR BODY AND COUPLING NUT MATERIAL: 6061-T6 ALUMINUM, GOLD PLATED PER MIL-DTL-45204
 INSULATOR MATERIAL: LIQUID CRYSTAL POLYMER (LCP) PER ASTM D5138 OR POLYPHENYLENE SULFIDE (PPS) PER ASTM D4067
 RETAINING RING MATERIAL: STAINLESS STEEL, PASSIVATED PER SAE-AMS-2700
 O-RING MATERIAL: NITRILE
- 2 WIRE TERMINATION: 28 AWG SOLID, 30 AWG STRANDED WIRE OR SMALLER
- 3 PREVIOUS NANONICS DRAWING NUMBER C66001

THIS DRAWING IS A CONTROLLED DOCUMENT.		DWN	D. RYAN	04-28-97	TE TE Connectivity
DIMENSIONS: INCHES		CHK	E. PAULUS	08-29-97	
TOLERANCES UNLESS OTHERWISE SPECIFIED:		APVD	M. STORRY	04-24-02	
0 PLC ± - 1 PLC ± - 2 PLC ± .010 3 PLC ± .005 4 PLC ± - ANGLES ± 1°		PRODUCT SPEC	NAME		
MATERIAL SEE NOTE		FINISH	SEE NOTE		PLUG ASSEMBLY, 7 POSITION, CIRCULAR, NCG SERIES
CUSTOMER DRAWING		WEIGHT	-		SIZE A2 CAGE CODE OPJN9 DRAWING NO. C=1589425 RESTRICTED TO -
SCALE 8:1		SHEET	1 OF 1		REV L

1589425