

SUMMARY



Image is for illustrative purpose only

Wires

| | |
|--------------|---|
| Low voltage | 1 |
| High voltage | 2 |

| | |
|------------------|---------------------------------|
| Series | 1B |
| Termination type | Male solder Hybrid High-Voltage |
| IP rating | 50 |
| AWG wire size | 28.00 - 20.00 |
| Cable Ø | 5.30 - 6.20 mm |
| Status | active |
| Matching parts | EGG.1B.731.CJL |

Download

[Request a quote](#)

TECHNICAL DETAILS

Mechanics

| | |
|-------------------|---|
| Shell Style/Model | FG*: Straight plug, cable collet |
| Keying | 1 key (alpha=0, plug: male contacts, receptacle: female contacts) |
| Housing Material | Brass (chrome plated [SAE AMS 2460]) shell and collet nut, nickel plated [SAE AMS QQ N 290] brass latch sleeve and mid pieces |
| Weight | 15.11 g |

Performance

| | |
|---------------|-----------------------------|
| Configuration | 1B.731 : 2 High V. 1 Low V. |
| Insulator | J: PEEK/PEEK |
| Rated Current | 12 Amps |

Specifications

Contact Type: Solder
Test voltage HV Ue (kV rms) 5.3
Working voltage LV Us (kV rms) 0.4

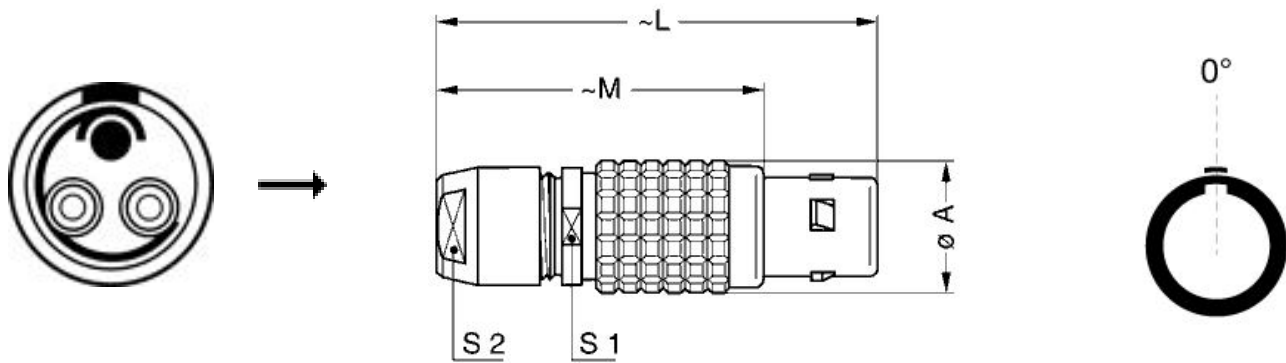
Others

Endurance (Shell): 5000
Temp (min / max): -55° C / +250° C

LEMO products and services are provided "as is". LEMO makes no warranties or representations with regard to LEMO product & services or use of them, express, implied or statutory, including for accuracy, completeness, or security. The user is fully responsible for his products and applications using LEMO components.

Humidity (max): <=95% [at 60 deg C /140 F]
 Vibration: 15 g [10 Hz - 2000 Hz]
 Shock Resistance: 100 g [6 ms]
 Climatical Category: 50/175/21
 Shielding (min): 75 dB (10 MHz)
 Shielding (min): 40 dB (1 GHz)
 Salt Spray Corrosion: >1000 hr

DRAWINGS



Dimensions

| | A | L | M | S1 | S2 |
|-----|------|------|------|------|------|
| mm. | 12 | 43 | 32 | 10 | 9 |
| in. | 0,47 | 1,69 | 1,26 | 0,39 | 0,35 |

RECOMMENDED BY LEMO

Tools

Spanner wrench: [DCD.1B.015.PA090](#)

Caps: [BFG.1B.100.PCSG](#)

LEMO products and services are provided "as is". LEMO makes no warranties or representations with regard to LEMO product & services or use of them, express, implied or statutory, including for accuracy, completeness, or security. The user is fully responsible for his products and applications using LEMO components.

LEMO products and services are provided "as is". LEMO makes no warranties or representations with regard to LEMO product & services or use of them, express, implied or statutory, including for accuracy, completeness, or security. The user is fully responsible for his products and applications using LEMO components.