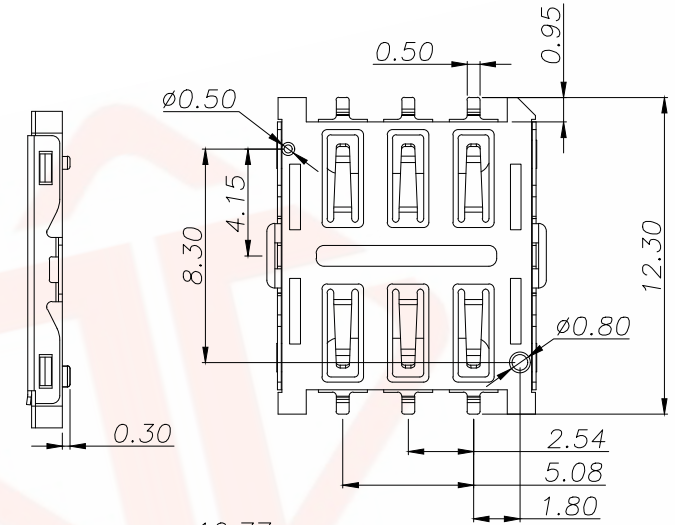
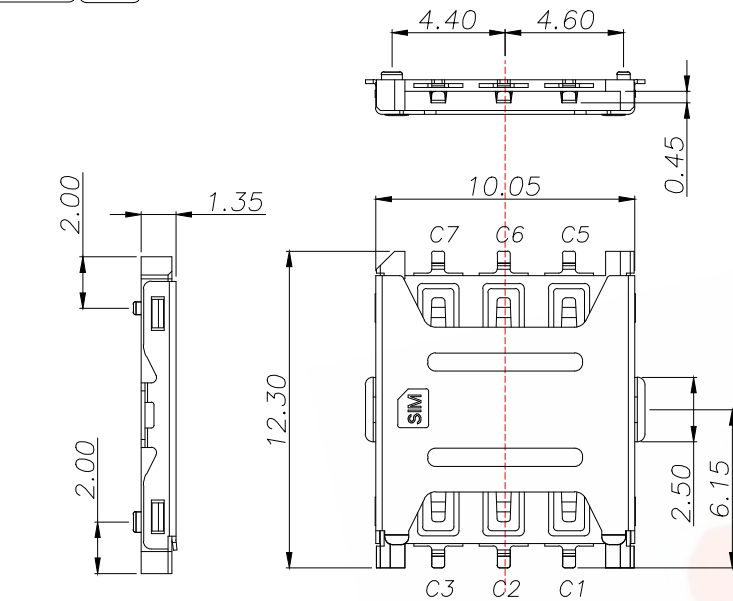
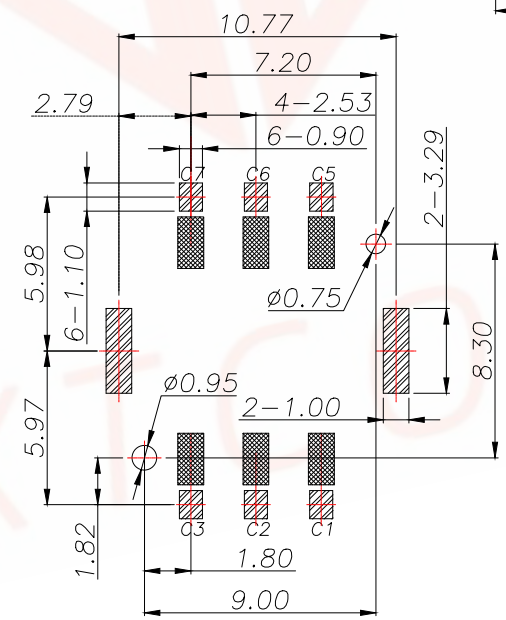
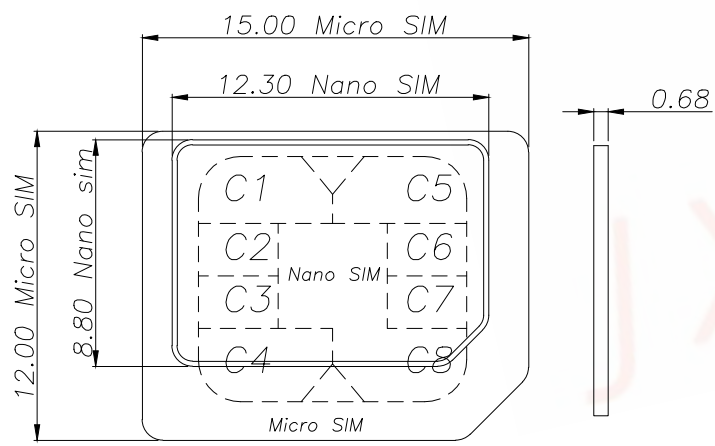
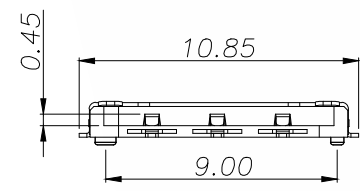




REV.	ECN NO.	DESCRIPTION	DATE	DESIGN

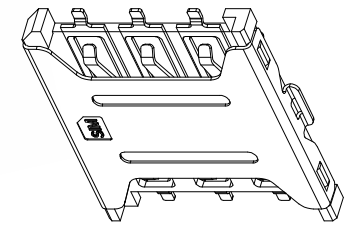


SPECIFICATION
MATERIAL:
 INSULATOR: HIGH TEMPERATURE THERMOPLASTIC, UL 94V-0.
 CONTACT: C5210
 SHELL: SUS
PLATING:
 CONTACT: PLATED 50U" NI OVERALL CONTACT ALL AU 1U
 SHELL: PLATED 50U" NI OVERALL, PAD AU 1U
ELECTRICAL:
 CURRENT RATING: 0.5MA AC/DC MAX
 VOLTAGE RATING: 125V AC/DC
 AMBIENT TEMPERATURE RANGE: -20°C~+60°C
 STORAGE TEMPERATURE RANGE: -40°C~+70°C
 AMBIENT HUMIDITY RANGE: 95% R.H. MAX.
 CONTACT RESISTANCE: 100MΩMAX.
 INSULATION RESISTANCE: 1000MΩMIN./500VDC
 REFLOW PEAK TEMP: 260°C ±5°C, 3~5 S
 MATING CYCLES: 3,000 INSERTIONS MIN



 PAD AREA
 KEEP OUT AREA
RECOMMENDED PCB LAYOUT
GENERAL TOLERANCE ±0.05

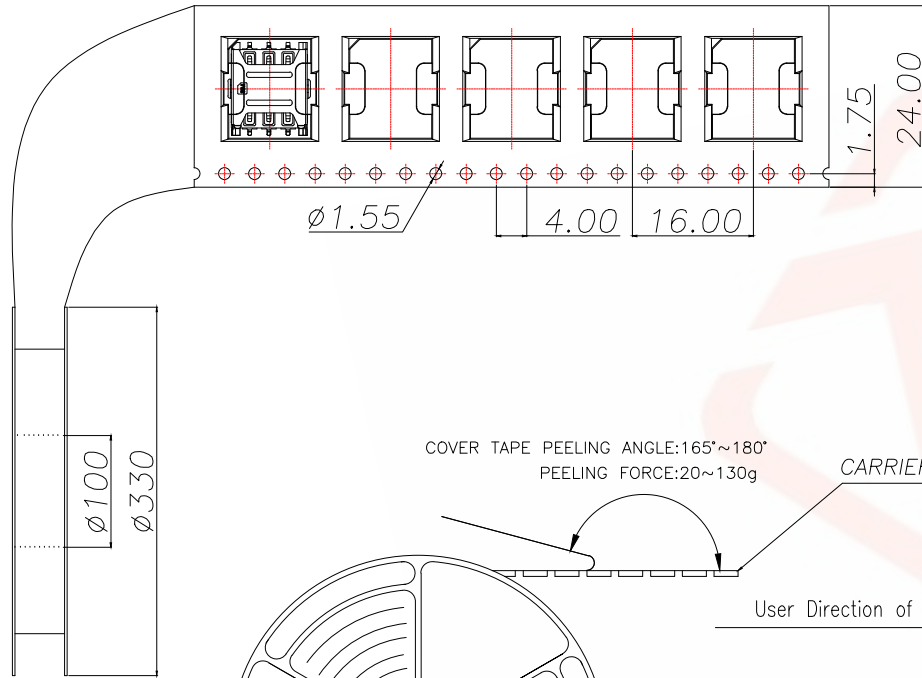
NANO SIM CARD	
Pin No.	NAME
C1	VCC OF SIM
C2	RST OF SIM
C3	CLK OF SIM
C5	GND OF SIM
C6	VPP OF SIM
C7	I/O OF SIM
C4/C8	N/A



TOLERANCE		 深圳聚兴泰电子科技有限公司 Shenzhen Juxingtai Electronic Technology Co., Ltd		
X.:±0.50	X':±2'	PART NO.	TITLE: NANO SIM CARD	
X.X:±0.30	X.X':±1'	CSIM-H135-TL6P	PUSH PULL 6PIN H1.35#	
X.XX:±0.20	X.XX':±0.5"	DESIGN: Ethan	MANUFACTURE DWG	
UNITS	mm	CHED: Olivia		
MATERILA	---	APPD: Ava	SCALE	SHEET
FINISH	---		N:A	1/1

REV.	ECN NO.	DESCRIPTION	DATE	DESIGN

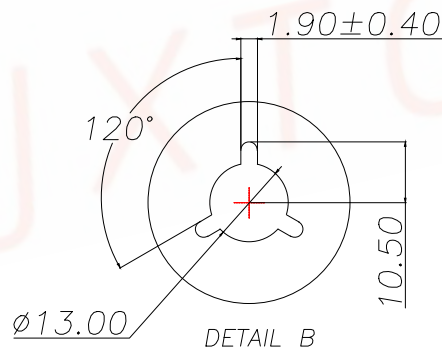
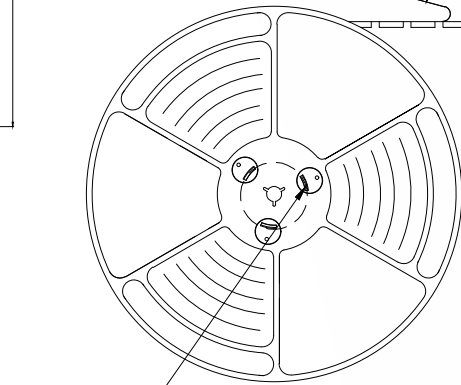
User Direction of Unreeling →



COVER TAPE PEELING ANGLE: 165°~180°
PEELING FORCE: 20~130g

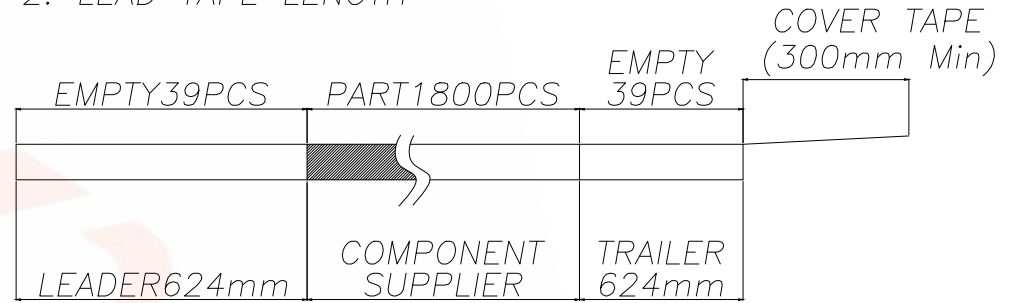
CARRIER TAPE

User Direction of Unreeling →

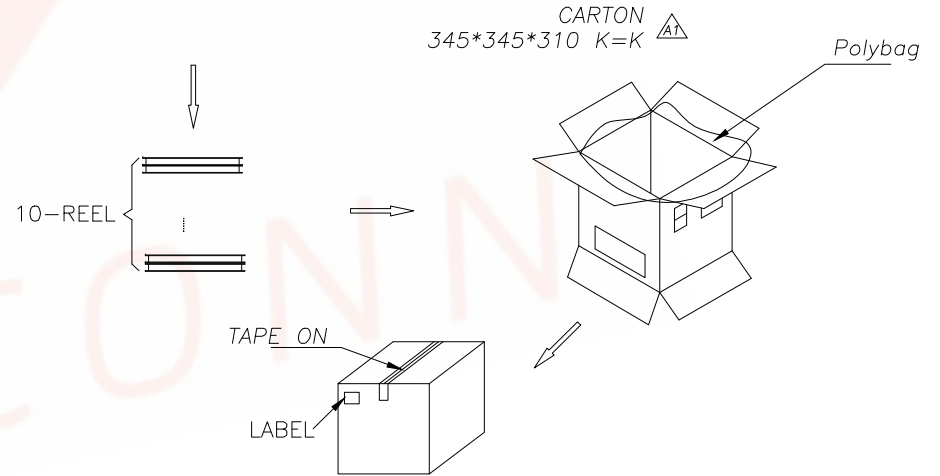


NOTES

1. NUMBER OF CONNECTORS: 1800PCS/REEL
2. LEAD TAPE LENGTH



3. QUANTITY: 18000PCS/CARTON



TOLERANCE		 深圳聚兴泰电子科技有限公司 Shenzhen Juxingtai Electronic Technology Co., Ltd	
X.:±0.50	X':±2'	PART NO.	TITLE: NANO SIM CARD
X.X:±0.30	X.X':±1'	CSIM-H135-TL6P	PUSH PULL 6PIN H1.35#
X.XX:±0.20	X.XX':±0.5'	DESIGN: Ethan	MANUFACTURE DWG
UNITS	mm	CHED: Olivia	
MATERILA	---	APPD: Ava	 SCALE SHEET N:A 1/1