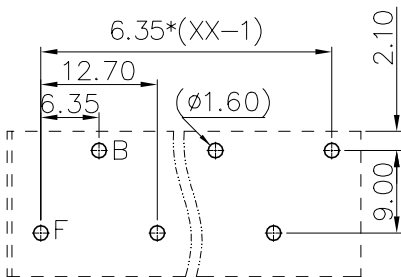
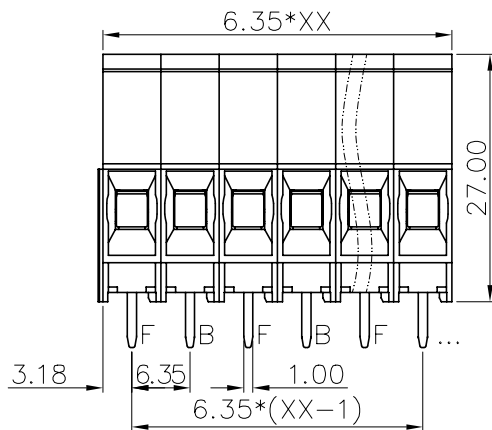
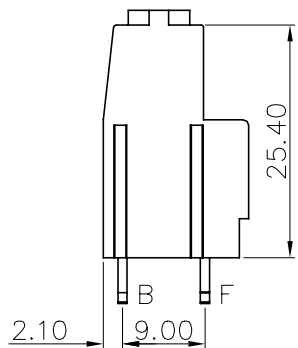
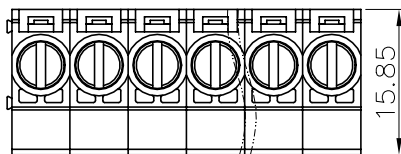


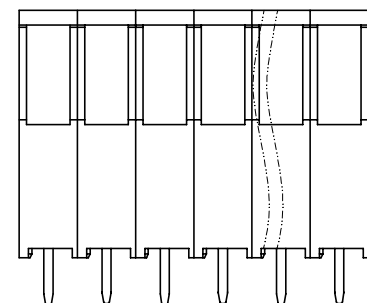
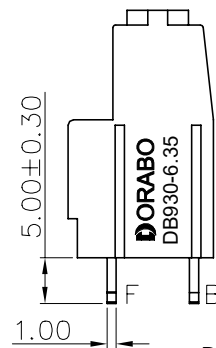
| 未注公差/General tolerances(mm) | | | | | | | | | | 0.1/10 ±2' | | | |
|-----------------------------|--------|---------|----------|----------|----------|-----------|------------|------------|------------|---------------|------------|------------|-------|
| 0 ~ 3 | >3 ~ 6 | >6 ~ 18 | >18 ~ 30 | >30 ~ 50 | >50 ~ 80 | >80 ~ 120 | >120 ~ 180 | >180 ~ 250 | >250 ~ 315 | | >315 ~ 400 | >400 ~ 500 | >500 |
| ±0.12 | ±0.18 | ±0.22 | ±0.26 | ±0.31 | ±0.37 | ±0.57 | ±0.80 | ±0.93 | ±1.05 | ±1.15 | ±1.60 | ±2.20 | ±2.50 |

F: Front Pin
B: Back Pin

| REV | ECN | DESCRIPTION | DRFT | DATE |
|-----|-----|-------------|------|------|
| | | | | |



PCB LAYOUT



DB930B — 6.35 — XXP — C — S/P
 (Series No.) (Pitch) (Poles) Slotted/Phillips
 (Color):GN:(Green), BK:(Black), BU:(Blue), RD:(Red), GY:(Gray)
 OG:(Orange), WT:(White), YL:(Yellow), CR:(Clear)

| NAME OF PART | MATERIAL | NOTES |
|--------------|--------------|-----------|
| Cage | Steel | Zn Plated |
| Screw | Steel | Zn Plated |
| Conductor | Copper alloy | Sn Plated |
| Insulator | PA66 | UL94V-0 |

| | | | |
|--|--------|------------------|---------|
| UL 标准/UL Standard: | B | C | D |
| 额定电压/电流/Rated Voltage(V)/Current(A) | 600/30 | / | 600/10 |
| IEC 标准/IEC Standard: | | | |
| 过压类别/Overvoltage Category/污染等级/Pollution Degree | III/3 | III/2 | II/2 |
| 额定电压/电流/Rated Voltage(V)/Current(A) | 800/41 | 1000/41 | 1000/41 |
| 额定脉冲电压(KV)/Rate Impulse Voltage(KV) | 8 | 8 | 8 |
| 螺丝扭矩/Torque Tightening(N·m/Lb.in) | M3.5 | 0.8N·m/7.02Lb.in | |
| 线径范围(硬线和软线)/Wire Range(rigid and flexible)(mm ² /AWG) | | 0.2~6/30~10 | |
| 间距/Pitch(mm)/线数范围/Poles | | 6.35/XX=02~16P | |
| 剥线长度/Stripping length(mm) | | 8~9 | |
| 使用温度范围/Operating temperature(°C) | | -40~+105 | |
| 符合RoHS环保要求/Conform to RoHS | | Yes | |

| | | | |
|------------|------------|---|---------------------|
| MAT NO.: | / | 宁波地博电气有限公司 NINGBO DORABO ELECTRICAL CO., LTD | |
| STATUS: | / | | |
| APPD: MARK | 2024.03.20 | NAME: | DB930B-6.35-XXP-C-S |
| CHKD: MARK | 2024.03.20 | DRAWING NO.: | / |
| DRFT: MARK | 2024.03.20 | REV | M0 |
| SIZE: A4 | mm (inch) | TYPE: CUSTOMER_DRAWING | SCALE: SHEET 1/1 |