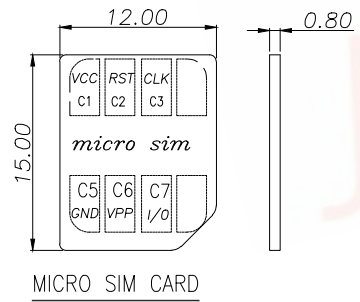
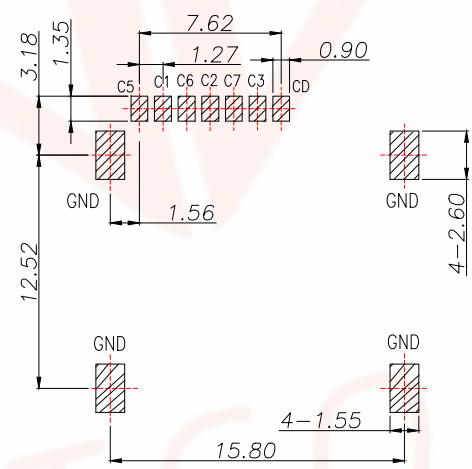
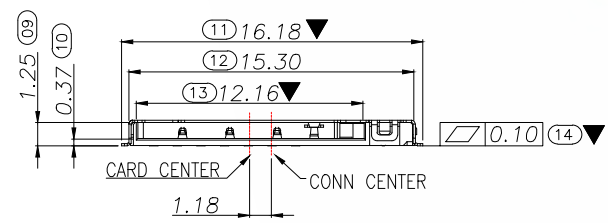
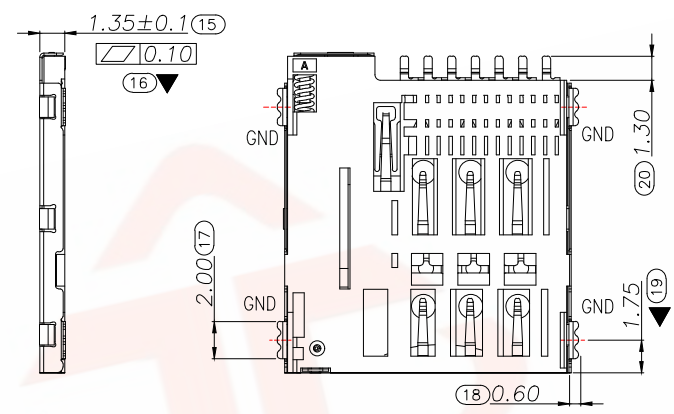
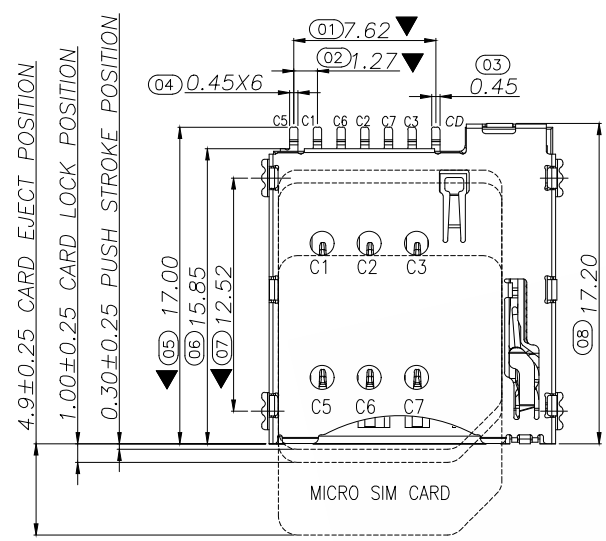


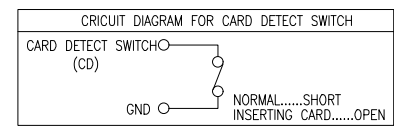


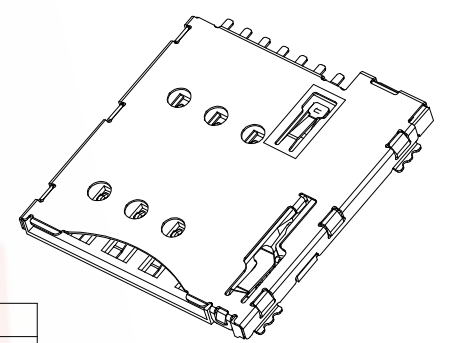
REV.	ECN NO.	DESCRIPTION	DATE	DESIGN



 CIRCUT TRACE KEEP OUT AREA
 SMT SOLDER AREA
 THERE SHOULD NOT BE ANY CIRCUITRIES IN THE LAYOUT SPACE OF THE PRODUCTS.
 RECOMMENDED PCB LAYOUT
 GENERAL TOLERANCE ± 0.05



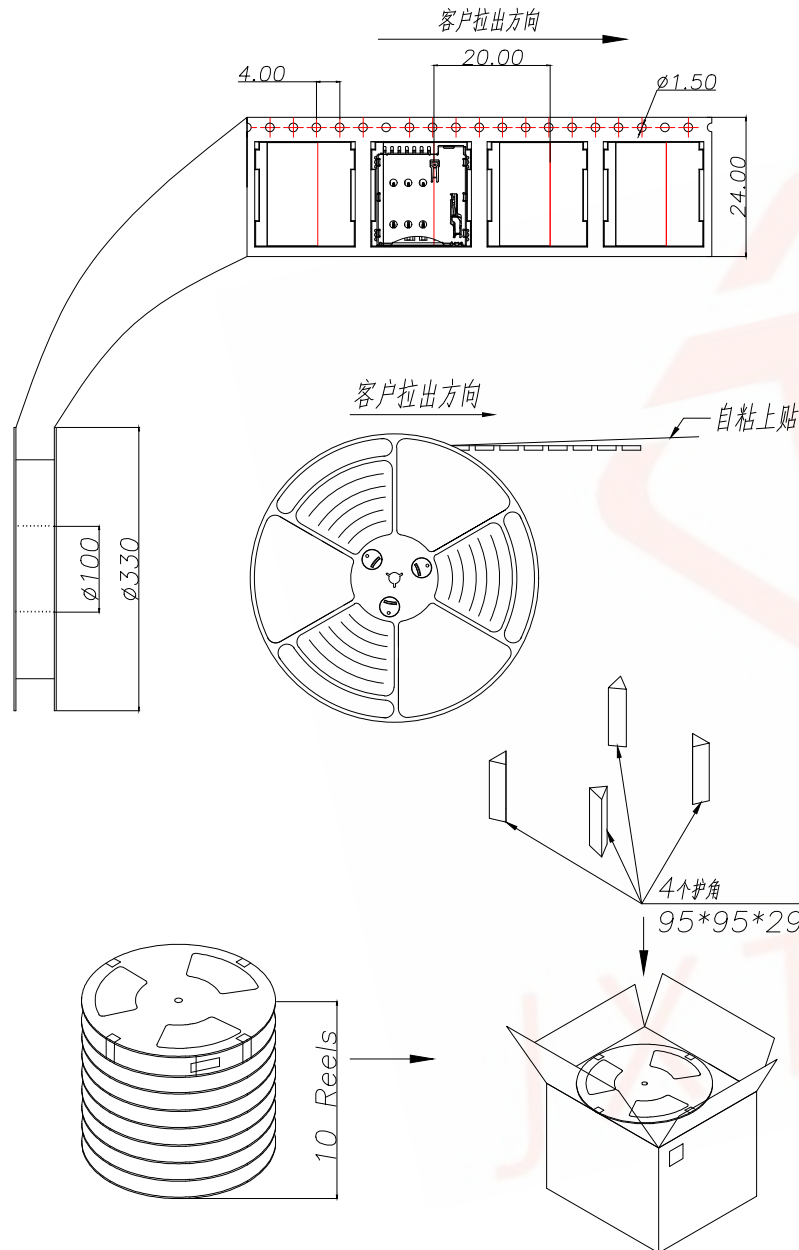
NOTES:
 MATERIAL:
 Insulator: High Temperature Thermoplastic, UL 94V-0.
 Contact: Copper Alloy
 Shell: STAINLESS
 PLATING:
 Contact: Plated 30u" Ni Overall ,Solder Area: Tin,Contact G/F
 Shell: Plated 30u" Ni Overall
 Plated G/F Selective Contact Area
 Electrical:
 Current Rating :0.5mA max.
 Voltage Rating :50V DC MAX
 Ambient Temperature Range :-20°C~+85°C
 Storage Temperature Range :-40°C~+70°C
 Ambient Humidity Range :95% R.H. Max.
 Contact Resistance:100mΩ max.
 Insulation Resistance:1000MΩ min./250V DC
 Dielectric Withstanding Voltage:500V AC
 Mating Cycles:5,000 Insertions
 Temperature: 260°C $\pm 5^\circ$



MICRO SIM CARD	
Pin No.	NAME
C1	VCC OF SIM
C2	RST OF SIM
C3	CLK OF SIM
C5	GND OF SIM
C6	VPP OF SIM
C7	I/O OF SIM
C4/C8	N/A
CD	DETECTION SWITCH

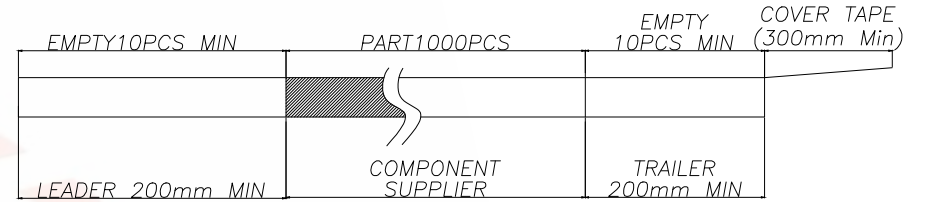
TOLERANCE		 深圳聚兴泰电子科技有限公司 Shenzhen Juxingtai Electronic Technology Co., Ltd	
X:±0.50	X':±2"	PART NO.	TITLE: H1.35 7PIN MICRO SIM CARD PUSH PUSH
.X:±0.30	.X':±1"		
.XX:±0.20	.XX':±0.5"	ASIM-002-7P	MANUFACTURE DWG
UNITS	mm	DESIGN: Ethan	
MATERILA	---	CHED: Olivia	 SCALE SHEET N:A 1/1
FINISH	---	APPD: Ava	

REV.	ECN NO.	DESCRIPTION	DATE	DESIGN

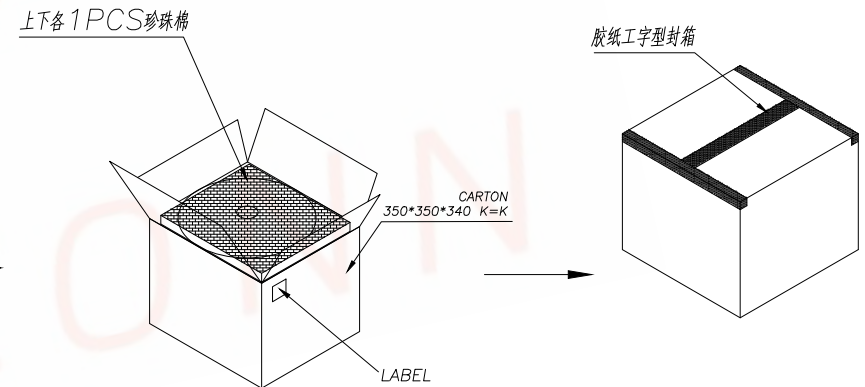


NOTES

1. NUMBER OF CONNECTORS: 1000PCS/REEL
2. LEAD TAPE LENGTH



3. QUANTITY: 10000PCS/CARTON



TOLERANCE		 深圳聚兴泰电子科技有限公司 Shenzhen Juxingtai Electronic Technology Co., Ltd	
X: ±0.50	X': ±2°	PART NO.	TITLE: MICRO SIM CARD
.X: ±0.30	.X': ±1°	ASIM-002-7P	PUSH PUSH 7PIN H1.35 封装
.XX: ±0.20	.XX': ±0.5°	DESIGN: Ethan	MANUFACTURE DWG
UNITS	mm	CHED: Olivia	
MATERILA	---	APPD: Ava	
FINISH	---		 SCALE N:A SHEET 1/1