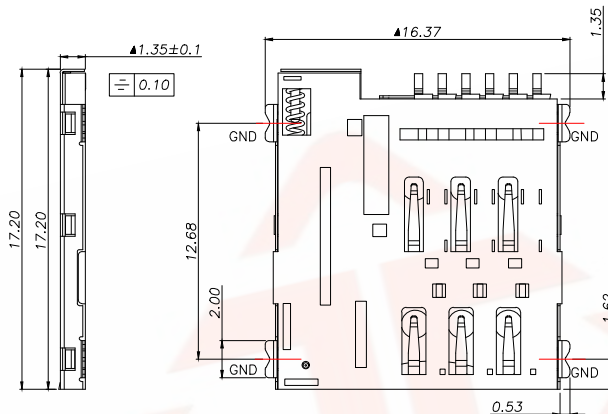
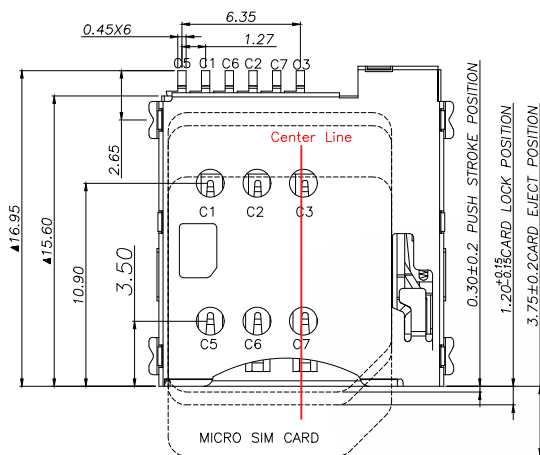
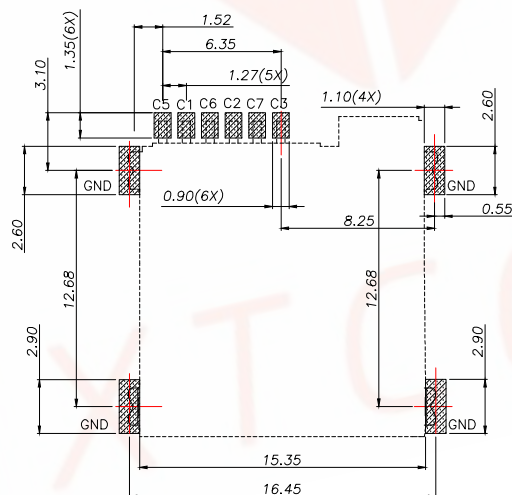
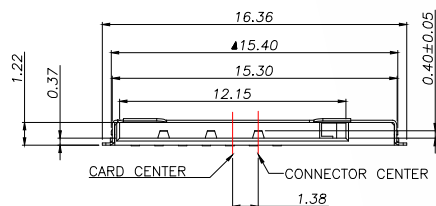



REV.	ECN NO.	DESCRIPTION	DATE	DESIGN



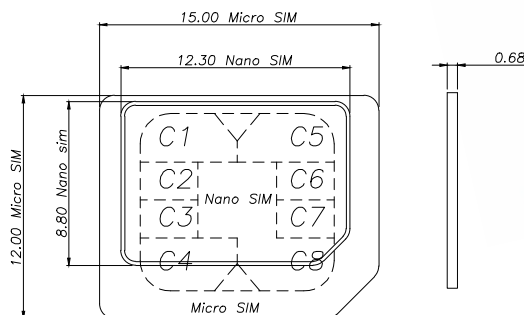
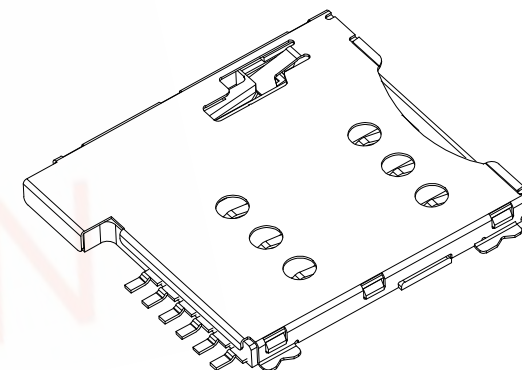
MATERIAL:
 INSULATOR: HIGH TEMPERATURE THERMOPLASTIC, UL 94V-0
 CONTACT: COPPER ALLOY
 SHELL: SUS
PLATING:
 CONTACT: PLATED 50U" NI OVER ALL CONTACT AU 1U
 SHELL: PLATED 50U" NI OVERALL
 PLATED 1U" AU SELECTIVE CONTACT AREA
ELECTRICAL:
 CURRENT RATING: 0.5MA
 VOLTAGE RATING: 5V AC/DC
 AMBIENT TEMPERATURE RANGE: -20°C ~ +60°C
 STORAGE TEMPERATURE RANGE: -40°C ~ +85°C
 AMBIENT HUMIDITY RANGE: 95% R.H. MAX.
 CONTACT RESISTANCE: 100M MAX.Ω
 INSULATION RESISTANCE: 1000M MIN./500VDCΩ
 REFLOW PEAK TEMP: 260°C
 MATING CYCLES: 5000MIN INSERTIONS
 Salt spray time: 24H



 PAD AREA
 KEEP OUT AREA

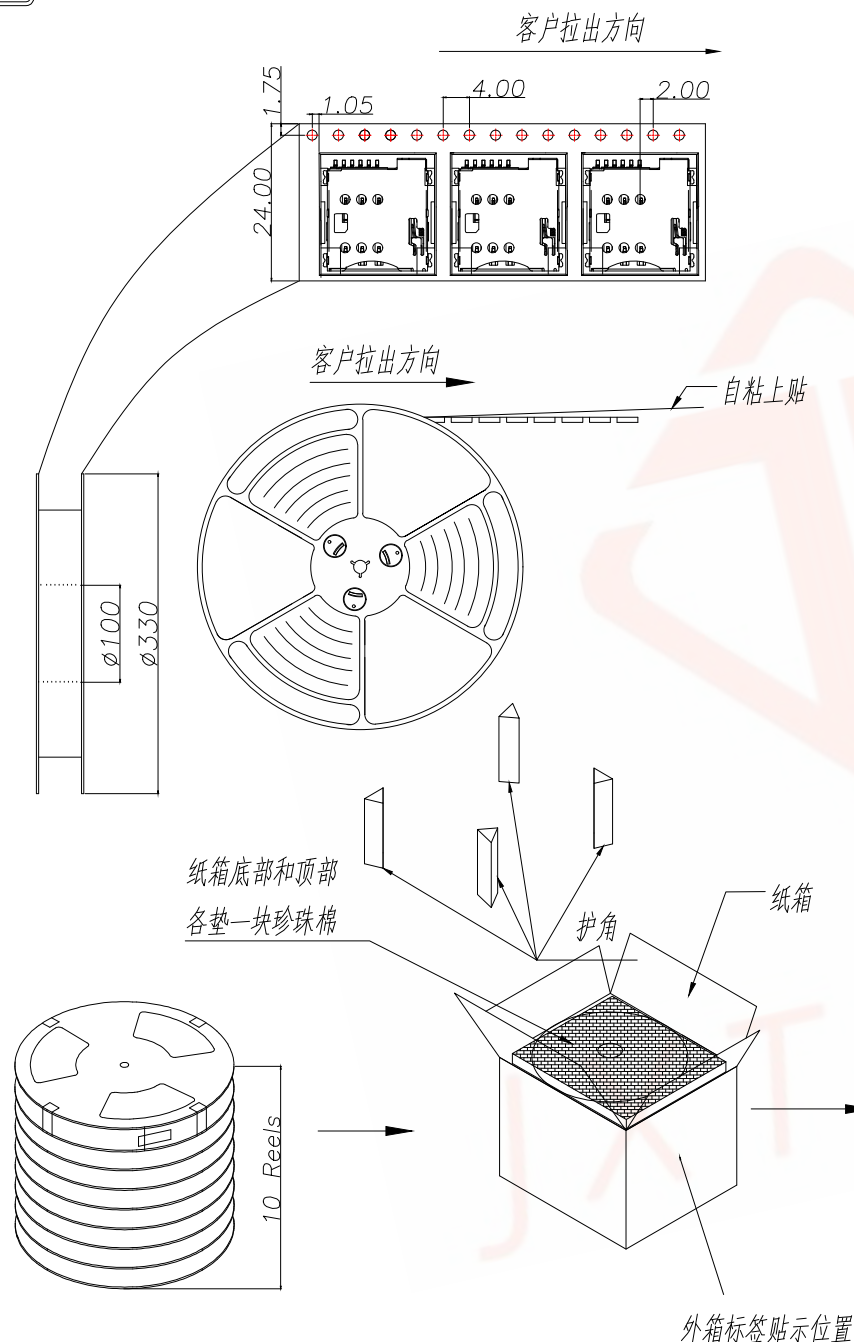
RECOMMENDED PCB LAYOUT
 GENERAL TOLERANCE ±0.05

MICRO SIM CARD	
Pin No.	NAME
C1	VCC OF SIM
C2	RST OF SIM
C3	CLK OF SIM
C5	GND OF SIM
C6	VPP OF SIM
C7	I/O OF SIM
C4/C8	N/A



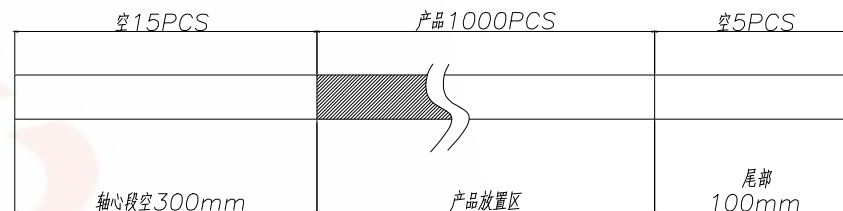
TOLERANCE		 深圳聚兴泰电子科技有限公司 Shenzhen Juxingtai Electronic Technology Co., Ltd		
X.X:±0.35	X.X':±3"	PART NO.	TITLE: MICRO SIM CARD	
X.XX:±0.25	X.XX':±2'	ASIM-H135-6P	PUSH PUSH 6PIN H1.35	
X.XXX:±0.15		DESIGN: Ethan	MANUFACTURE DWG	
UNITS	mm	CHED: Olvia		
MATERILA	---	APPD: Ava	SCALE	SHEET
FINISH	---		N:A	1/1

REV.	ECN NO.	DESCRIPTION	DATE	DESIGN



NOTES

1. 每卷包装数量: 1000PCS/每卷
2. 卷带包装方式:



3. 每箱包装数量: 10000PCS/箱
4. 纸箱 350mm*350mm*440mm (内部尺寸), 材质 K=K

将10卷产品放入箱内

TOLERANCE		深圳聚兴泰电子科技有限公司 Shenzhen Juxingtai Electronic Technology Co., Ltd	
X.X:±0.35	X.X':±3"	PART NO.	TITLE: MICRO SIM CARD PUSH
X.XX:±0.25	X.XX':±2"	ASIM-H135-6P	PUSH 6PIN H1.35 包装图
X.XXX:±0.15		DESIGN: Ethan	MANUFACTURE DWG
UNITS	mm	CHED: Olivia	SCALE SHEET N:A 1/1
MATERILA	---	APPD: Ava	