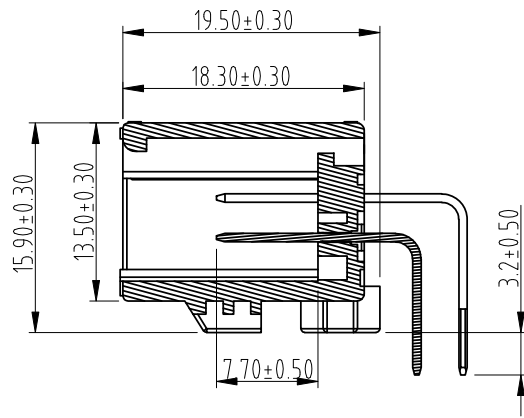
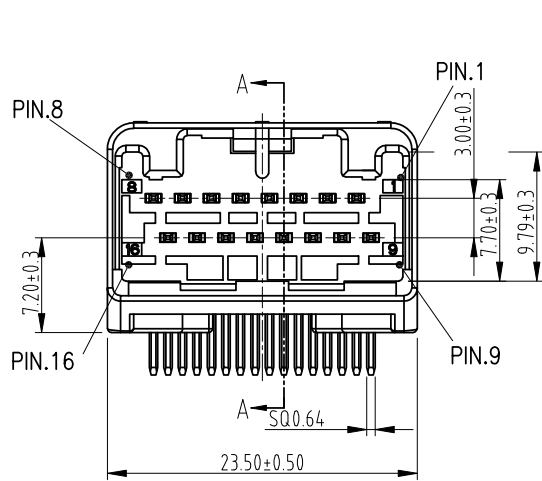
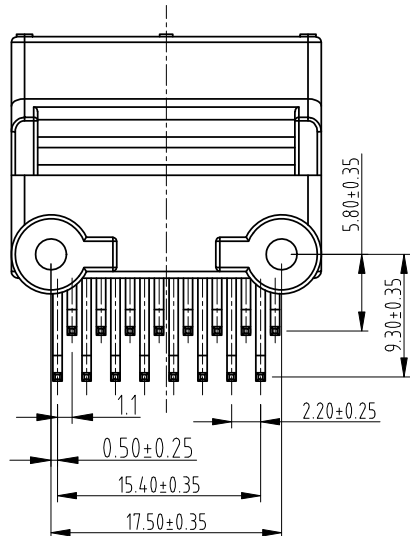
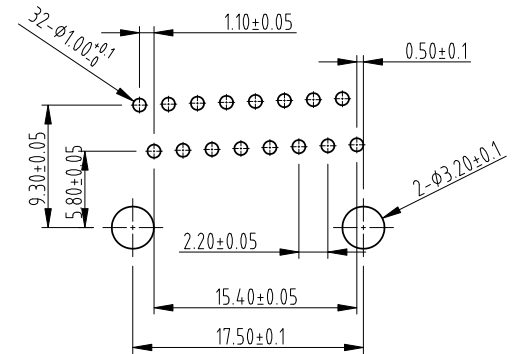


REV	DESCRIPTION	DESIGN	APPROVAL	DATE
A0	NEW VERSION	Colinye	Jerry	


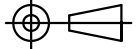


SECTION A-A



Specifications:

- Contact Resistance/接触电阻:  $\leq 20m\Omega$
- Insulation Resistance/绝缘电阻:  $\geq 100M\Omega$
- Rated Voltage/额定电压: 100V Max AC/DC
- Rated Current/额定电流: 3.0A Max AC/DC
- Withstand Voltage/耐压: 1000v Ac/minute
- Temperature Range/工作温度范围:  $-40^{\circ}C \sim +85^{\circ}C$
- Housing/外壳: PPS UL94V-0 Grey
- Contacts/端子: Brass Sn-Plated
- RoHS Compliance/产品符合RoHS,

X.± 0.35	X.°± 5°	 <b>Guangdong JiDe Precision Electronics Co., Ltd</b> <b>广东济德精密电子有限公司</b>	<b>TITLE:</b> 2.20mm Pitch 16PIN Male 90°DIP		<b>PART NO.</b> 991-161-5128							
.X± 0.20	.X°± 3°				<b>APPD:</b> <b>CHKD:</b> <b>DRAW:</b>		<b>DWG NO:</b> C-991-161-5128					
.XX± 0.15	.XX°± /		<table border="1"> <tr> <td>SCALE</td> <td>SHEET</td> <td>REV.</td> </tr> <tr> <td>N/A</td> <td>1/1</td> <td>A0</td> </tr> </table>				SCALE	SHEET	REV.	N/A	1/1	A0
SCALE	SHEET						REV.					
N/A	1/1		A0									
.XXX± 0.10	.XXX°± /											
UNITS:	mm	<p>The information in this document is property of JiDe company and should not be copied or reproduced in any other way, without written permission.</p>										