

| 标记<br>MARK |       | ECN编号/变更内容<br>ECN NO/DEFINITION |     |       |       | 修改<br>REVISE |       | 日期<br>DATE |     | 核准<br>APPROVE |        |
|------------|-------|---------------------------------|-----|-------|-------|--------------|-------|------------|-----|---------------|--------|
| PIN        | DIM A | DIM B                           | PIN | DIM A | DIM B | PIN          | DIM A | DIM B      | PIN | DIM A         | DIM B  |
| 1          | —     | 2.54                            | 11  | 25.40 | 27.94 | 21           | 50.80 | 53.34      | 31  | 76.20         | 78.74  |
| 2          | 2.54  | 5.08                            | 12  | 27.94 | 30.48 | 22           | 53.34 | 55.88      | 32  | 78.74         | 81.28  |
| 3          | 5.08  | 7.62                            | 13  | 30.48 | 33.02 | 23           | 55.88 | 58.42      | 33  | 81.28         | 83.82  |
| 4          | 7.62  | 10.16                           | 14  | 33.02 | 35.56 | 24           | 58.42 | 60.96      | 34  | 83.82         | 86.36  |
| 5          | 10.16 | 12.70                           | 15  | 35.56 | 38.10 | 25           | 60.96 | 63.50      | 35  | 86.36         | 88.90  |
| 6          | 12.70 | 15.24                           | 16  | 38.10 | 40.64 | 26           | 63.50 | 66.04      | 36  | 88.90         | 91.44  |
| 7          | 15.24 | 17.78                           | 17  | 40.64 | 43.18 | 27           | 66.04 | 68.58      | 37  | 91.44         | 93.98  |
| 8          | 17.78 | 20.32                           | 18  | 43.18 | 45.72 | 28           | 68.58 | 71.12      | 38  | 93.98         | 96.52  |
| 9          | 20.32 | 22.86                           | 19  | 45.72 | 48.26 | 29           | 71.12 | 73.66      | 39  | 96.52         | 99.06  |
| 10         | 22.86 | 25.40                           | 20  | 48.26 | 50.80 | 30           | 73.66 | 76.20      | 40  | 99.06         | 101.60 |

A

B

C

D

E

F

G

A

B

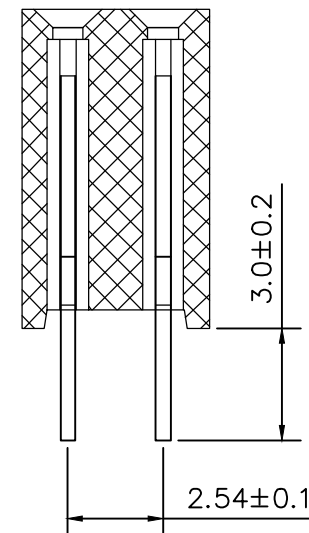
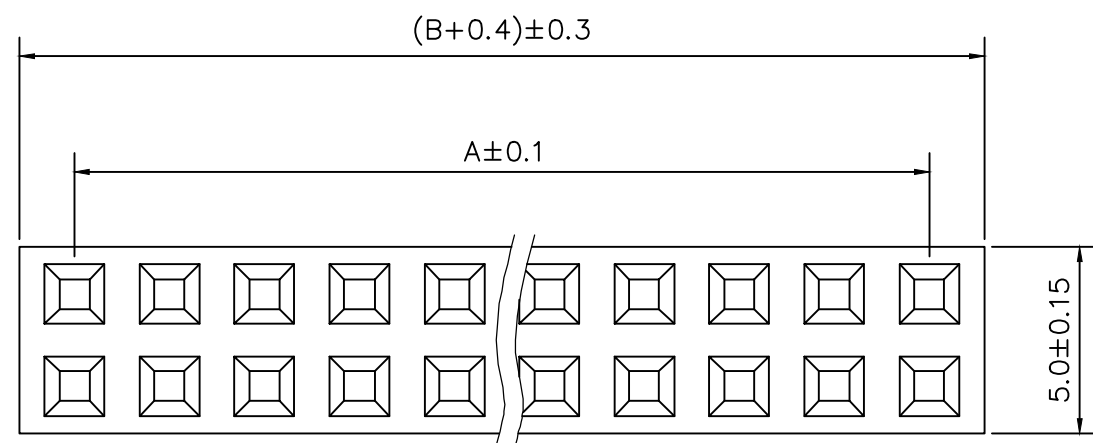
C

D

E

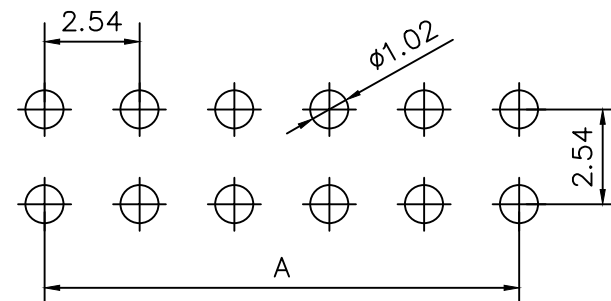
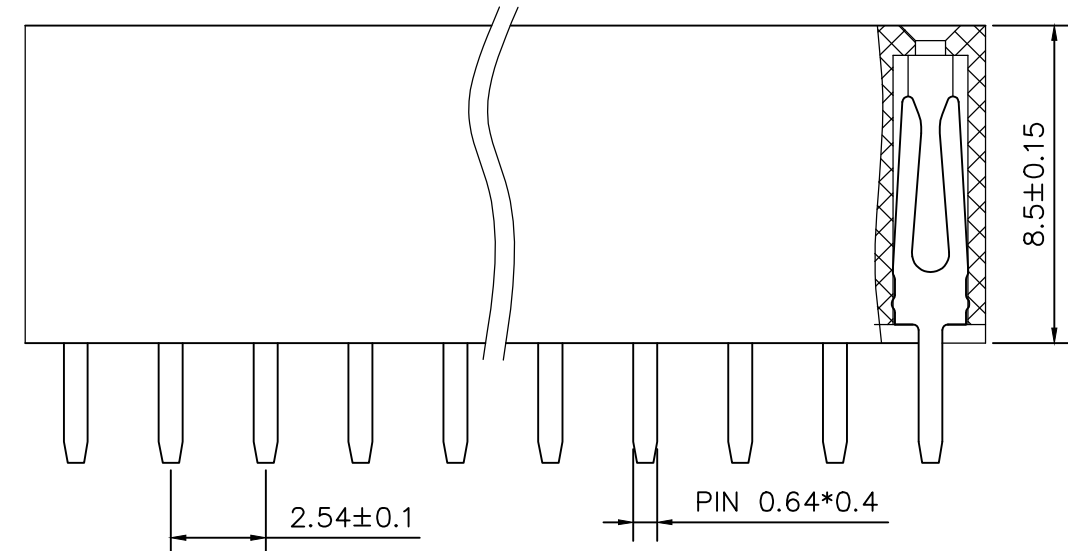
F

G



**SPECIFICATIONS**  
 Current Rating: 3 Amps  
 Withstanding Voltage: AC 1000V  
 Insulation Resistance: 1000MΩ Min  
 Contact Resistance: 20mΩ Max  
 Operation Temperature: -40°to+105°  
 Insrlator Material: Polyester  
 Contact Material: Brass  
 Standard: PA6T  
 Contact Plating: Gold Flash  
 Max.Processing Temp: 200°C for 30-60seconds  
 (255°C for 5seconds)

| H   | PC  | PB |
|-----|-----|----|
| 8.5 | 3.0 |    |



RECOMMEND P. C. B LAYOUT  
 PCB TOLERANCE: ±0.05 (TOP VIEW)

| 2  | 接触 | 铜    | 镀金    |    |
|----|----|------|-------|----|
| 1  | 基座 | PA6T | 本色    |    |
| 序号 | 品名 | 材质   | 电镀/颜色 | 备注 |

|  |                               |                         |                                    |                      |
|--|-------------------------------|-------------------------|------------------------------------|----------------------|
|  | 深圳市虹成电子有限公司<br>品名 TITLE<br>排母 |                         | 料号 PART NO<br>HC-PM254-8.5H-2x15PZ |                      |
|  | 一般公差<br>TOLERANCE             | 比列<br>SCALE<br>1:1      |                                    |                      |
| X : ±0.30 X° : ±5°<br>X.X : ±0.25 X.X° : ±1°<br>X.XX : ±0.20 X.XX° : ±0.5° | 单位<br>UNIT<br>MM              | 张数<br>PART NO<br>1 OF 1 | 制图<br>DRAW<br>AhYe                 | 审核<br>CHECKED<br>夏操云 |
|  | 版本<br>REV<br>A                | 批准<br>APPROVE<br>赵亮亮    |                                    |                      |