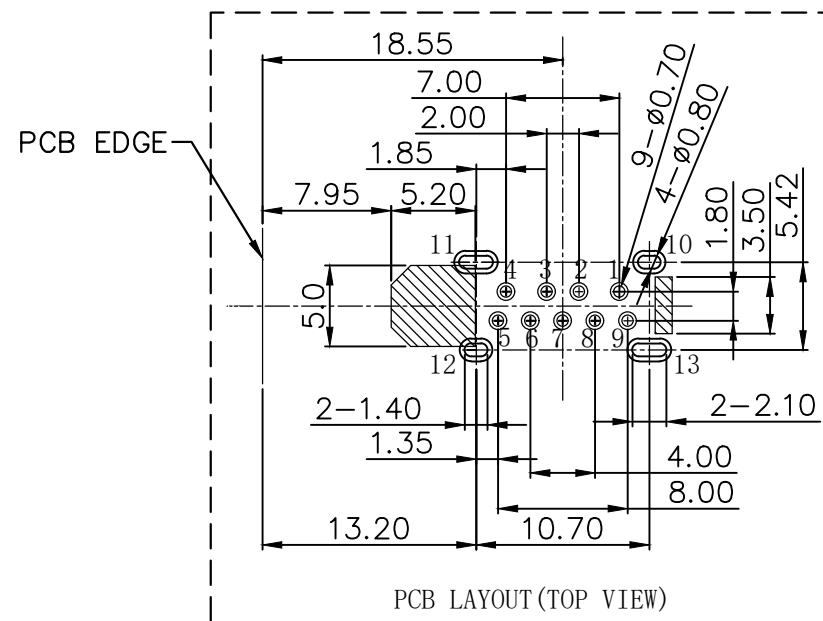
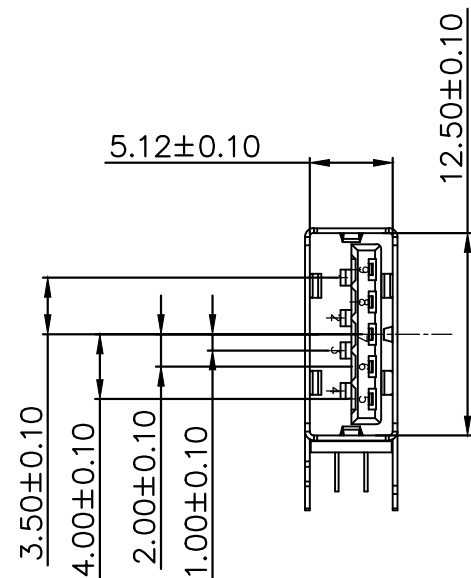
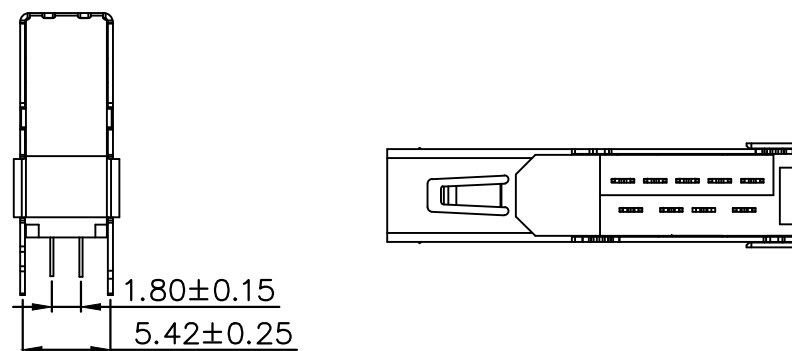
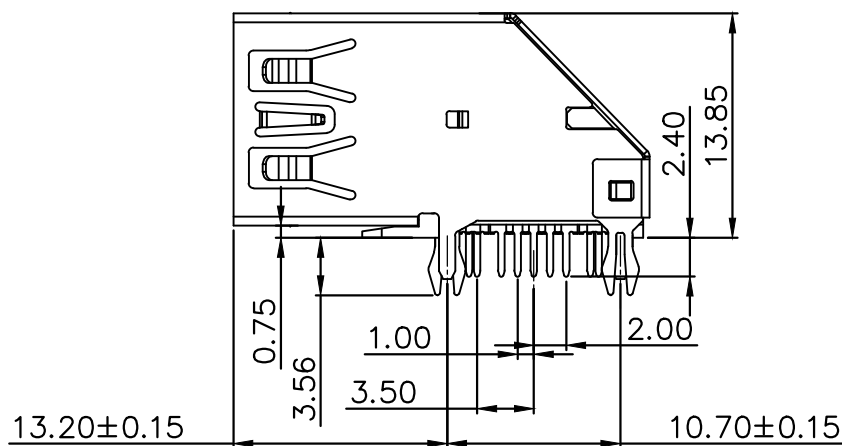
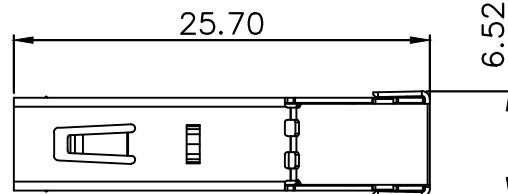
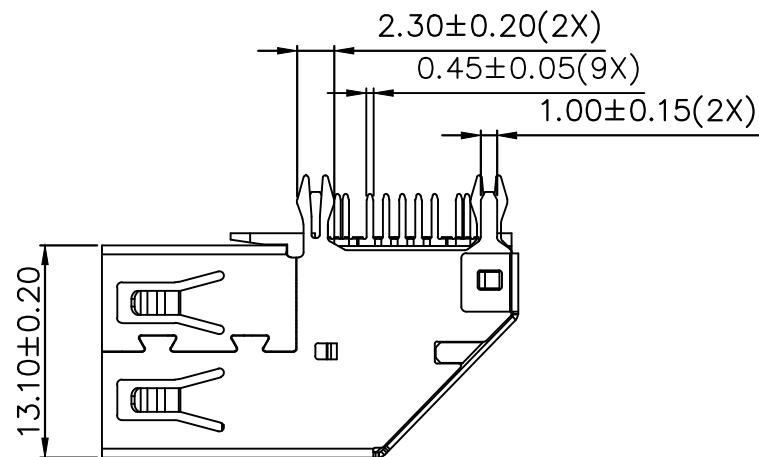


标记 MARK	ECN编号/变更内容 ECN NO/DEFINITION	修改 REVISE	日期 DATE	核准 APPROVE

Pin Number	Signal Name	Pin Number	Signal Name
1	VBUS	5	SSRX-
2	D-	6	SSRX+
3	D+	7	GND
4	GND	8	SSTX-
Shell	Shield	9	SSTX+



**SPECIFICATIONS:**  
 Contact current Rating:  
 1.8 Amperes for pin1&pin4.  
 0.25 Amperes other contacts  
 Dielectric Withstanding Voltage: AC 100V(RMS)  
 Insulation resistance:100Megohms Minimum.  
 Contact Resistance:  
 30mΩ Max for pin1&pin4  
 50mΩMax for other contacts  
**Mechanical Characteristics:**  
 Mating Force: 35 Newtons.Maximum  
 Unmating Force: 10 Newtons.Mlimum.  
 8N Min After Durability

**MATERIAL:**  
 Housing: PBT Blue  
 Contact: copper alloy( T=0.2mm)  
 Shell: SUS304  
**PLATING:**  
 Contact: Au Plated on contact area  
 Tin Plated on solder area  
 Nickel underplating over all  
 Shell: Nickel Plated  
 operating Temperature: -55°to+85°

3	外壳	不锈钢	镀镍	
2	接触	铜	镀金	
1	基座	PBT	蓝色	
序号	品名	材质	电镀/颜色	备注

	深圳市虹成电子有限公司		品名 TITLE	USB座	
			料号 PART NO	HC-USB3.0-L257-P	
GENERAL TOLERANCES (UNLESS SPECIFIED)		比列 SCALE	1:1		
		单位 UNIT	MM		
X. +/-	METRIC 0.35	张数 PART NO	1 OF 1	制图 DRAW	AhYe
.X +/-	0.35	版本 REV	A	审核 CHECKED	夏操云
.XX +/-	0.25			批准 APPROVE	赵亮亮
FRACTIONS +/-					
ANGLES +/-	2.00°				

