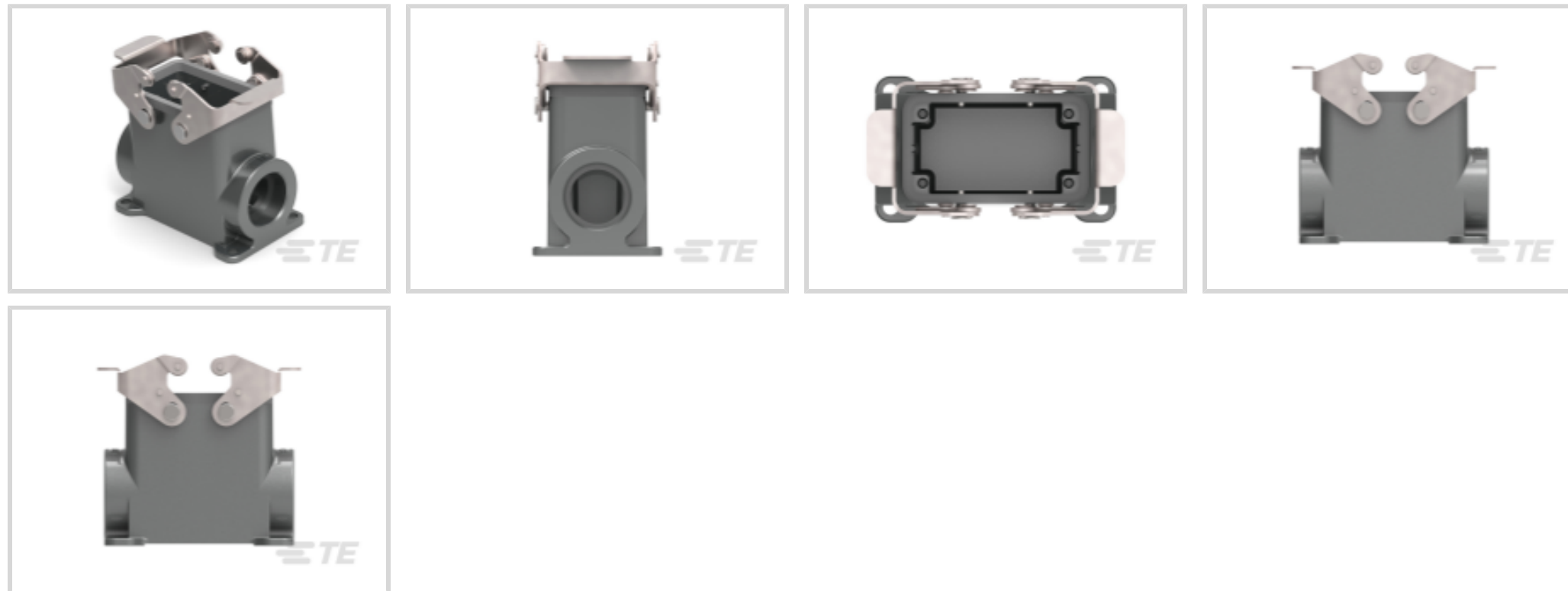




Connectors > Rectangular Connectors > Rectangular Connector Hoods & Bases



Hood & Base Connector Product Type: **Base Housing**

Cable Entry Location: **Side**

Hood & Base Locking Device Type: **Locking Clip**

Sealable: **Yes**

EU RoHS Compliance: **Compliant**

Features

Usage Conditions

Corrosion Protected	Yes
---------------------	-----

Housing Features

Housing Material	Die Cast Aluminum
------------------	-------------------

Operation/Application

Circuit Application	Power & Signal
---------------------	----------------

Mechanical Attachment

Thread Size	PG29
-------------	------

Hood & Base Locking Device Type	Locking Clip
---------------------------------	--------------

Product Type Features

Hood & Base Connector Product Type	Base Housing
------------------------------------	--------------

Sealable	Yes
----------	-----

Body Features

Cable Entry Location	Side
----------------------	------

Other



EU RoHS Compliance	Compliant
EU ELV Compliance	Compliant

Product Compliance

[For compliance documentation, visit the product page on TE.com>](#)

EU RoHS Directive 2011/65/EU	Compliant
EU ELV Directive 2000/53/EC	Compliant
China RoHS 2 Directive MIIT Order No 32, 2016	No Restricted Materials Above Threshold
EU REACH Regulation (EC) No. 1907/2006	Current ECHA Candidate List: JUNE 2024 (241) Candidate List Declared Against: JUNE 2024 (241) Does not contain REACH SVHC
Halogen Content	Low Halogen - Br, Cl, F, I < 900 ppm per homogenous material. Also BFR/CFR/PVC Free
Solder Process Capability	Not reviewed for solder process capability

Product Compliance Disclaimer

This information is provided based on reasonable inquiry of our suppliers and represents our current actual knowledge based on the information they provided. This information is subject to change. The part numbers that TE has identified as EU RoHS compliant have a maximum concentration of 0.1% by weight in homogenous materials for lead, hexavalent chromium, mercury, PBB, PBDE, DBP, BBP, DEHP, DIBP, and 0.01% for cadmium, or qualify for an exemption to these limits as defined in the Annexes of Directive 2011/65/EU (RoHS2). Finished electrical and electronic equipment products will be CE marked as required by Directive 2011/65/EU. Components may not be CE marked. Additionally, the part numbers that TE has identified as EU ELV compliant have a maximum concentration of 0.1% by weight in homogenous materials for lead, hexavalent chromium, and mercury, and 0.01% for cadmium, or qualify for an exemption to these limits as defined in the Annexes of Directive 2000/53/EC (ELV). Regarding the REACH Regulation, the information TE provides on SVHC in articles for this part number is based on the latest European Chemicals Agency (ECHA) 'Guidance on requirements for substances in articles' posted at this URL: <https://echa.europa.eu/guidance-documents/guidance-on-reach>

Compatible Parts



TE Part # T3609290101-000
DLX-29-MS



TE Part # T1230100129-000
H10B-TSH-PG29



TE Part # T1010102100-000
H10B-KDBP



TE Part # T2040102201-000
HE-010-F

Also in the Series | HDC IP65



Rectangular Connector Hoods & Bases
(1257)

Customers Also Bought



TE Part #T2020082201-000
HD-008-F



TE Part #1-480711-9
15P UMNL CAP HSG BLK



TE Part #T2106062201-000
HWK6/6-012-F



TE Part #640250-1
01P SL156 HSG W/LCK RAMP NATL



TE Part #T0931003003-000
CODING-PIN-M3



TE Part #1SNA195638R2300
M4/6.4A.P



TE Part #T1730060000-000
H6B-TBF-T



TE Part #T2120100219-000
ZGG-10DSTK,1-7,2-8,3-9,4-6,5-10



TE Part #T2120100220-000
ZGGP-H10BSK 1-7/2-8/3-9/4-6/5-10



TE Part #1473203-1
025 CAP ASSY 16P P/BACK BRCKT

Documents

Product Drawings

[H10B-SGRHS-PG29](#)

English

CAD Files

[3D PDF](#)

3D

[Customer View Model](#)

[ENG_CVM_CVM_T1470101129-000_A.2d_dxf.zip](#)



English

Customer View Model

[ENG_CVM_CVM_T1470101129-000_A.3d_igs.zip](#)

English

Customer View Model

[ENG_CVM_CVM_T1470101129-000_A.3d_stp.zip](#)

English

By downloading the CAD file I accept and agree to the [Terms and Conditions](#) of use.

Datasheets & Catalog Pages

[Heavy Duty Connectors](#)

English

[HEAVY DUTY CONNECTORS](#)

English

[HEAVY DUTY CONNECTORS](#)

Japanese

Product Specifications

[Application Specification](#)

English