

160859-5 ✓ ACTIVE

FASTIN-FASTON | FASTIN-FASTON 250

TE Internal #: 160859-5

Quick Disconnect Tab, 20 – 17 AWG, .51 – 1.03 mm² Wire, 6.35 mm [.25 in] Tab Width, Straight, Phosphor Bronze, Silver Plating, FASTIN-FASTON 250

[View on TE.com >](#)



Terminals & Splices > Quick Disconnects



Quick Disconnect Terminal Type: **Tab**

Wire Size: **.51 – 1.03 mm²**

Mating Tab Width: **6.35 mm [.25 in]**

Mating Tab Thickness: **.81 mm [.032 in]**

Features

Termination Features

Product Terminates To Wire & Cable

Configuration Features

Compatible With Wire & Cable Type Discrete Wire

Connection Capacity Single

Mechanical Attachment

Locking Lance Height 1.44 mm

Wire Insulation Support With

Mating Retention Type Locking Lance

Packaging Features

Packaging Quantity 3500

Packaging Method Strip/Reel

Dimensions

Product Length 28 mm[1.1 in]

Compatible Insulation Diameter Range 1.4 – 2.3 mm[.055 – .09 in]



| | |
|-----------------------------|----------------------------|
| Terminal Material Thickness | .41 mm[.016 in] |
| Wire Size | .51 – 1.03 mm ² |

Product Type Features

| | |
|-----------------|--------|
| Insertion Force | Normal |
|-----------------|--------|

Contact Features

| | |
|--------------------------------|-----------------|
| Quick Disconnect Terminal Type | Tab |
| Mating Tab Width | 6.35 mm[.25 in] |
| Mating Tab Thickness | .81 mm[.032 in] |
| Terminal Orientation | Straight |
| Contact Base Material | Phosphor Bronze |
| Terminal Plating Material | Silver |
| Crimp Type | F-Crimp |
| Barrel Type | Open |

Usage Conditions

| | |
|-----------------------------|----------------------------|
| Insulation Option | Uninsulated |
| Operating Temperature Range | -40 – 130 °C[-40 – 266 °F] |

Other

| | |
|--------------------|-----------|
| EU RoHS Compliance | Compliant |
| EU ELV Compliance | Compliant |

Product Compliance

[For compliance documentation, visit the product page on TE.com>](#)

| | |
|---|---|
| EU RoHS Directive 2011/65/EU | Compliant |
| EU ELV Directive 2000/53/EC | Compliant |
| China RoHS 2 Directive MIIT Order No 32, 2016 | No Restricted Materials Above Threshold |
| EU REACH Regulation (EC) No. 1907/2006 | Current ECHA Candidate List: JUNE 2024 (241) Candidate List Declared Against: JUNE 2024 (241) Does not contain REACH SVHC |
| Halogen Content | Low Halogen - Br, Cl, F, I < 900 ppm per homogenous material. Also BFR/CFR/PVC Free |
| Solder Process Capability | Not applicable for solder process capability |

Product Compliance Disclaimer

This information is provided based on reasonable inquiry of our suppliers and represents our current actual knowledge based on the information they provided. This information is subject to change. The part numbers that TE has identified as EU RoHS compliant have a maximum concentration of 0.1% by weight in homogenous materials for lead, hexavalent chromium, mercury, PBB, PBDE, DBP, BBP, DEHP, DIBP, and 0.01% for cadmium, or qualify for an exemption to these limits as defined in the Annexes of Directive 2011/65/EU (RoHS2). Finished electrical and electronic equipment products will be CE marked as required by Directive 2011/65/EU. Components may not be CE marked. Additionally, the part numbers that TE has identified as EU ELV compliant have a maximum concentration of 0.1% by weight in homogenous materials for lead, hexavalent chromium, and mercury, and 0.01% for cadmium, or qualify for an exemption to these limits as defined in the Annexes of Directive 2000/53/EC (ELV). Regarding the REACH Regulation, the information TE provides on SVHC in articles for this part number is based on the latest European Chemicals Agency (ECHA) 'Guidance on requirements for substances in articles' posted at this URL: <https://echa.europa.eu/guidance-documents/guidance-on-reach>

Compatible Parts



TE Part # 1-1579007-4
EXTRACTION TOOL



TE Part # 4-1579007-3
EXTRACTION TOOL KIT

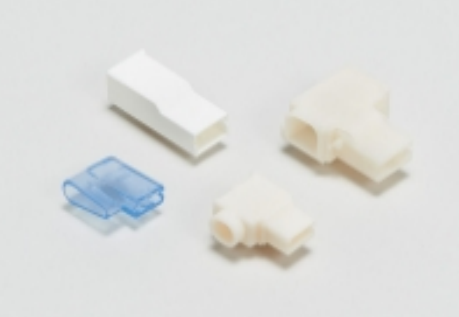


TE Part # 2150095-2
OCEAN_2.0_APPLICATOR-E-080F110OV-REA




TE Part # 7-2150095-7
OCEAN_2.0_SPARE_PART_KIT-080F110OV


Also in the Series | FASTIN-FASTON 250




Crimp Terminal Housings(207)



Insertion & Extraction Tools(2)



PCB Terminals(2)



Quick Disconnects(250)

Customers Also Bought



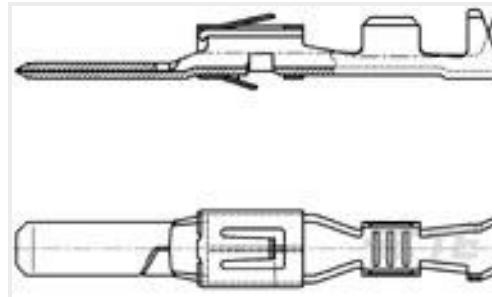
TE Part #829131P043
ES2000-NO.1-C1-0-35MM



TE Part #350582-000
ES2000-NO.3-B8-0-35MM



TE Part #E60872-000
ES2000-NO.3-B8-0-70MM



TE Part #962883-2
TAB AS 2.8x0.8 CONTACT CF SRC Sn



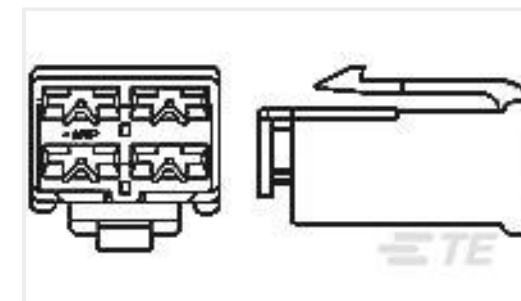
TE Part #537637P056
SCT-NO.3-E3-0-40MM



TE Part #1544970-1
SEAL, NG9K



TE Part #1544980-1
TAB HOUSING, 8MM NG1 PLUS, 2
WAY



TE Part #178004-2
FF 250 PLUG HSG 4P NYLON BLACK
WAY



TE Part #130599P010
ES2000-NO.4-B7-0-40MM



TE Part #1-172134-1
250 FASTON HSG, PLUG 4P NATURAL

Documents

CAD Files

3D PDF

3D

Customer View Model

[ENG_CVM_CVM_160859-5_L.2d_dxf.zip](#)

English

Customer View Model

[ENG_CVM_CVM_160859-5_L.3d_igs.zip](#)

English

Customer View Model

[ENG_CVM_CVM_160859-5_L.3d_stp.zip](#)

English

By downloading the CAD file I accept and agree to the [Terms and Conditions](#) of use.

Datasheets & Catalog Pages

[1654742_HOUSEHOLD_APPLIANCES_RAST5](#)

English