



Connectors > Pluggable IO Connectors & Cages



Form Factor: **SFP+**

Pluggable I/O Product Type: **Cage Assembly**

Circuit Application: **Signal**

Operating Temperature Range: **-55 – 105 °C [-67 – 221 °F]**

Data Rate (Max): **16 Gb/s**

Features

Termination Features

Termination Method to PCB	Through Hole - Press-Fit
Termination Post & Tail Length	3 mm

Dimensions

PCB Thickness (Recommended)	1.5 mm
-----------------------------	--------

Housing Features

Cage Material	Nickel Silver Alloy
---------------	---------------------

Body Features

Heat Sink Style	Pin
Heat Sink Finish	Electroless Nickel
Heat Sink Height	13.5 mm [.531 in]
Heat Sink Height Class	PCI

Operation/Application

Pluggable I/O Applications	SFP+
Heat Sink Compatible	Yes
Circuit Application	Signal



Product Type Features

Cage Type	Single
Thermal Accessory Type Included	Heat Sink
Form Factor	SFP+
Pluggable I/O Product Type	Cage Assembly

Configuration Features

Number of Ports	1
Port Matrix Configuration	1 x 1

Electrical Characteristics

Data Rate (Max)	16 Gb/s
-----------------	---------

Usage Conditions

Operating Temperature Range	-55 – 105 °C[-67 – 221 °F]
-----------------------------	----------------------------

Other

Included Lightpipe	No
EMI Containment Feature Type	Internal/External EMI Springs
EU RoHS Compliance	Compliant
EU ELV Compliance	Compliant

Product Compliance

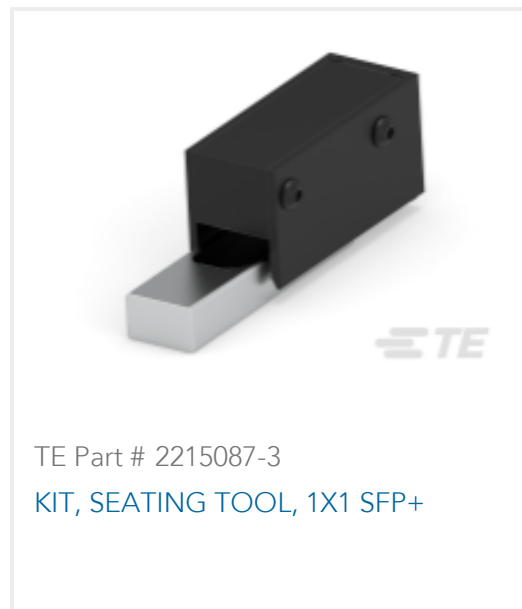
[For compliance documentation, visit the product page on TE.com>](#)

EU RoHS Directive 2011/65/EU	Compliant
EU ELV Directive 2000/53/EC	Compliant
China RoHS 2 Directive MIIT Order No 32, 2016	No Restricted Materials Above Threshold
EU REACH Regulation (EC) No. 1907/2006	Current ECHA Candidate List: JUNE 2024 (241) Candidate List Declared Against: JUNE 2024 (241) Does not contain REACH SVHC
Halogen Content	Low Halogen - Br, Cl, F, I < 900 ppm per homogenous material. Also BFR/CFR/PVC Free
Solder Process Capability	Not applicable for solder process capability

Product Compliance Disclaimer

This information is provided based on reasonable inquiry of our suppliers and represents our current actual knowledge based on the information they provided. This information is subject to change. The part numbers that TE has identified as EU RoHS compliant have a maximum concentration of 0.1% by weight in homogenous materials for lead, hexavalent chromium, mercury, PBB, PBDE, DBP, BBP, DEHP, DIBP, and 0.01% for cadmium, or qualify for an exemption to these limits as defined in the Annexes of Directive 2011/65/EU (RoHS2). Finished electrical and electronic equipment products will be CE marked as required by Directive 2011/65/EU. Components may not be CE marked. Additionally, the part numbers that TE has identified as EU ELV compliant have a maximum concentration of 0.1% by weight in homogenous materials for lead, hexavalent chromium, and mercury, and 0.01% for cadmium, or qualify for an exemption to these limits as defined in the Annexes of Directive 2000/53/EC (ELV). Regarding the REACH Regulation, the information TE provides on SVHC in articles for this part number is based on the latest European Chemicals Agency (ECHA) 'Guidance on requirements for substances in articles' posted at this URL: <https://echa.europa.eu/guidance-documents/guidance-on-reach>

Compatible Parts



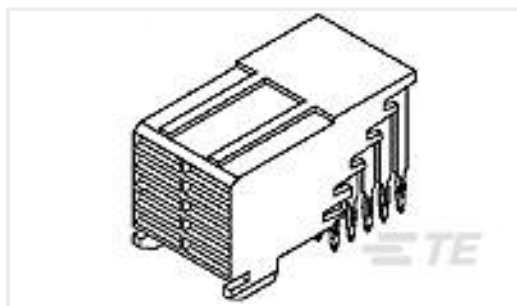
Customers Also Bought



TE Part #1888247-2
20 POS SMT CONN, SFP/SFP+, 15A



TE Part #1-1469492-7
MULTIGIG RT 9MM GUIDE/ESD 270 DEG



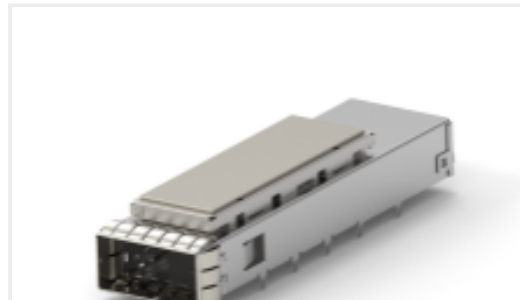
TE Part #5536649-1
2MM FB, ASY, 010, PWR, REC, EN, SEQ



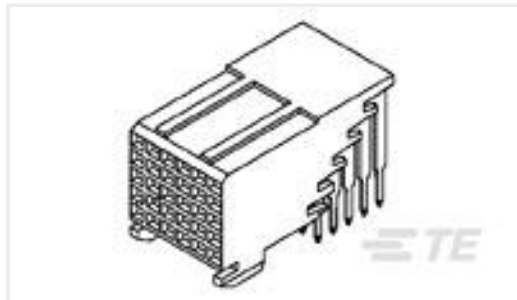
TE Part #6368011-3
STK MJ, 2X1, SHLD, I135, G/Y/G/Y L



TE Part #1367147-3
SFP COVER, UNPL, NO LOGO



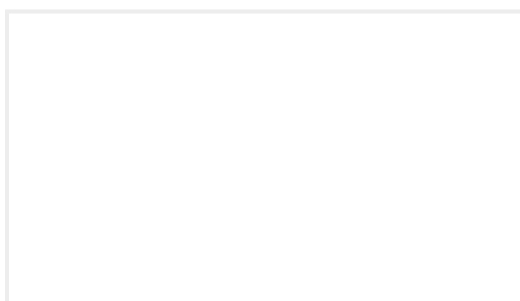
TE Part #2354751-1
CAGE ASSEMBLY, QSFP-DD 1X1, SPRING, TB



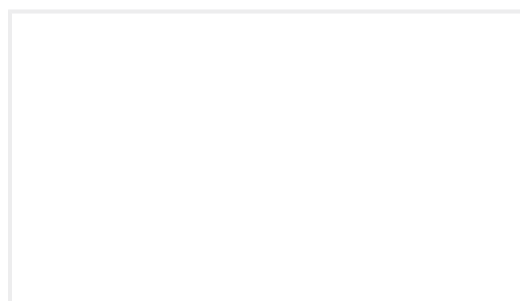
TE Part #5223008-1
FB-5R, ASY, 030, SIG, REC, EN, 3.55



TE Part #2359845-2
CAGE ASSY W/ HS, SFP-DD 1X1, GENERAL



TE Part #1645587-2
HM-ZD 2PR HDR 40P 3.8MM 30Au



TE Part #2359292-1
CAGE ASSEMBLY, SFP-DD 1X1, THERMAL BRIDGE

Documents

CAD Files

3D PDF

3D

Customer View Model

[ENG_CVM_CVM_2291634-1_A.2d_dxf.zip](#)

English

Customer View Model

[ENG_CVM_CVM_2291634-1_A.3d_igs.zip](#)

English

Customer View Model

[ENG_CVM_CVM_2291634-1_A.3d_stp.zip](#)

English

By downloading the CAD file I accept and agree to the [Terms and Conditions](#) of use.

Product Specifications

Application Specification

English