

165034 ✓ ACTIVE



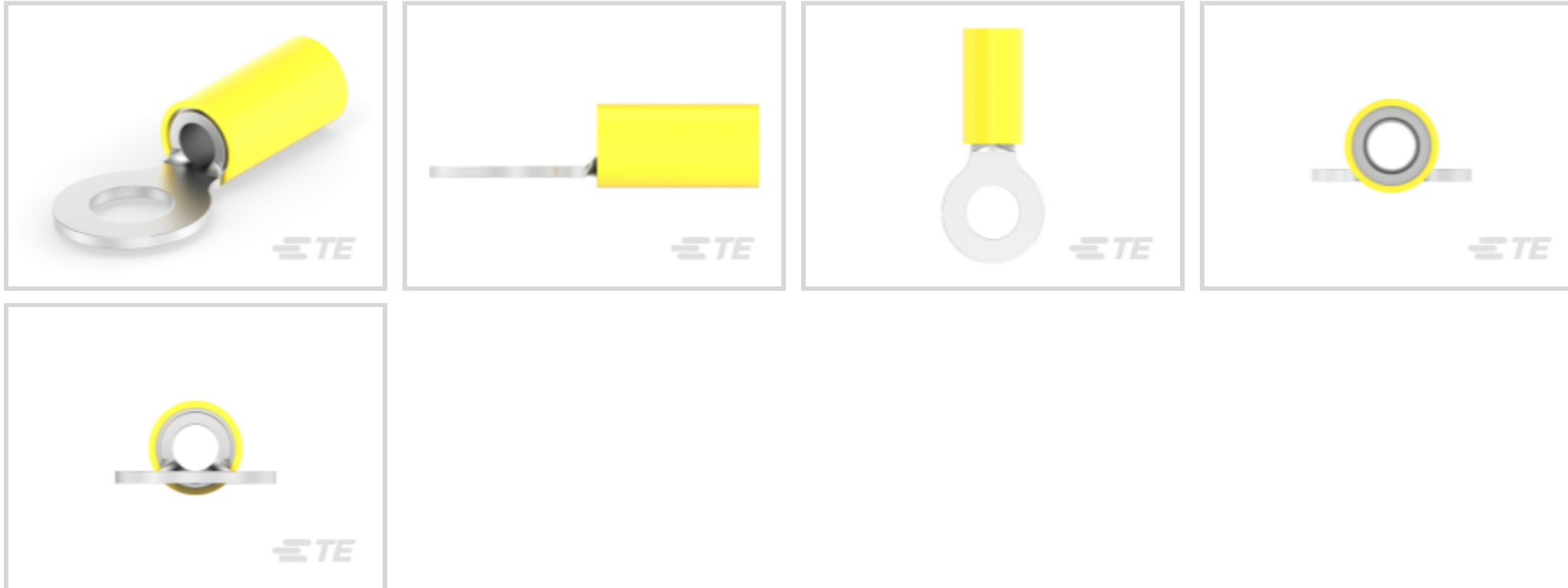
PIDG

TE Internal #: 165034

Closed Ring Tongue Terminal, 12 – 10 AWG, M6 Stud, 6.7 mm [.265 in] Stud Diameter, Closed Barrel, Straight, Tin Plating, Partially Insulated, PIDG

[View on TE.com >](#)

Terminals & Splices > Ring Terminals



Ring Terminal Product Type: Closed Ring Tongue Terminal

Wire Size: 5180 – 13100 CMA

Stud Size: M6

Features

Configuration Features

| | |
|-----------------|---|
| Number of Holes | 1 |
|-----------------|---|

Mechanical Attachment

| | |
|-------------------------|------|
| Wire Insulation Support | With |
|-------------------------|------|

Electrical Characteristics

| | |
|----------------|-------|
| Voltage Rating | 300 V |
|----------------|-------|

Industry Standards

| | |
|-------------------------------|----|
| Government Qualified Terminal | No |
|-------------------------------|----|

Body Features

| | |
|-------------------------|---------|
| Product Weight | 2.737 g |
| Insulation Sleeve Color | Yellow |
| Stripe Color | Yellow |

Packaging Features

| | |
|--------------------|-----|
| Packaging Quantity | 500 |
| Packaging Method | Box |

Product Type Features



| | |
|--|-----------------------------|
| Ring Terminal Product Type | Closed Ring Tongue Terminal |
| Stud Size | M6 |
| Sealable | No |
| Wire Insulation Support Retention Type | Insulation Support |

Contact Features

| | |
|---------------------------|----------|
| Barrel Type | Closed |
| Terminal Orientation | Straight |
| Terminal Plating Material | Tin |

Dimensions

| | |
|--------------------------------------|-------------------------------|
| Wire Size | 5180 – 13100 CMA |
| Stud Diameter | 6.7 mm [.265 in] |
| Tongue Thickness | .79 mm [.031 in] |
| Product Length | 3.17 mm [1.188 in] |
| Compatible Insulation Diameter (Max) | 6.35 mm [.25 in] |
| Compatible Insulation Diameter Range | 3.81 – 6.35 mm [.15 – .25 in] |

Usage Conditions

| | |
|-------------------|---------------------|
| Insulation Option | Partially Insulated |
|-------------------|---------------------|

Operation/Application

| | |
|---------------------------------------|--------|
| Compatible With Wire Base Material | Copper |
| Compatible With Wire Plating Material | Tin |

Other

| | |
|--------------------|-----------|
| EU RoHS Compliance | Compliant |
| EU ELV Compliance | Compliant |

Product Compliance

[For compliance documentation, visit the product page on TE.com>](#)

| | |
|---|--|
| EU RoHS Directive 2011/65/EU | Compliant |
| EU ELV Directive 2000/53/EC | Compliant |
| China RoHS 2 Directive MIIT Order No 32, 2016 | No Restricted Materials Above Threshold |
| EU REACH Regulation (EC) No. 1907/2006 | Current ECHA Candidate List: JUNE 2024 (241) Candidate List Declared Against: JUNE 2024 (241) |

Does not contain REACH SVHC

Halogen Content

Low Halogen - Br, Cl, F, I < 900 ppm per homogenous material. Also BFR/CFR/PVC Free

Solder Process Capability

Not applicable for solder process capability

Product Compliance Disclaimer

This information is provided based on reasonable inquiry of our suppliers and represents our current actual knowledge based on the information they provided. This information is subject to change. The part numbers that TE has identified as EU RoHS compliant have a maximum concentration of 0.1% by weight in homogenous materials for lead, hexavalent chromium, mercury, PBB, PBDE, DBP, BBP, DEHP, DIBP, and 0.01% for cadmium, or qualify for an exemption to these limits as defined in the Annexes of Directive 2011/65/EU (RoHS2). Finished electrical and electronic equipment products will be CE marked as required by Directive 2011/65/EU. Components may not be CE marked. Additionally, the part numbers that TE has identified as EU ELV compliant have a maximum concentration of 0.1% by weight in homogenous materials for lead, hexavalent chromium, and mercury, and 0.01% for cadmium, or qualify for an exemption to these limits as defined in the Annexes of Directive 2000/53/EC (ELV). Regarding the REACH Regulation, the information TE provides on SVHC in articles for this part number is based on the latest European Chemicals Agency (ECHA) 'Guidance on requirements for substances in articles' posted at this URL: <https://echa.europa.eu/guidance-documents/guidance-on-reach>

Compatible Parts



TE Part # 59239-4
HHHT PIDG PG 12-10 ASSY



TE Part # 59824-1
TETRA-CRIMP PIDG PG FASTON 22-10 ASSY



TE Part # 539691-2
ERGO DIE R.B.Y



TE Part # 169404
CERTI-LOK DIE




TE Part # 7-1377173-9
SMP 0-0165034-0



TE Part # 2063030-1
SDE DIESET, RB,Y, UL



TE Part # 47808-6
DIES PIDG 12-10 DIE SET



TE Part # 2217484-1
KIT, BTLI, HEAVY HEAD



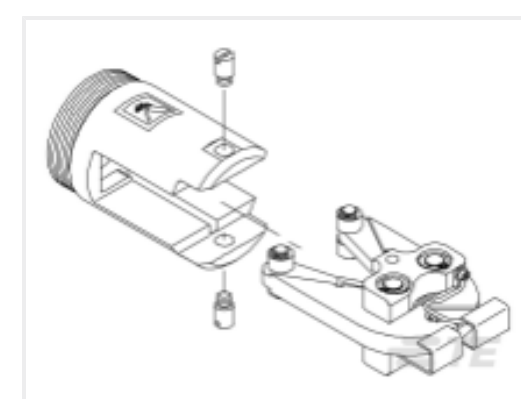
TE Part # 169400
CERTI-LOK FRAME W/O DIES



TE Part # 58423-1
DIE, RB,Y IS9252

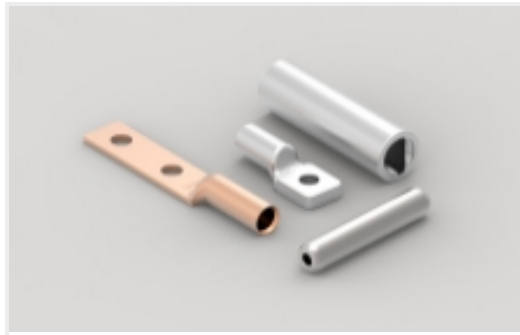


TE Part # 58433-3
PRO CR ASSY, RB,Y IS9252

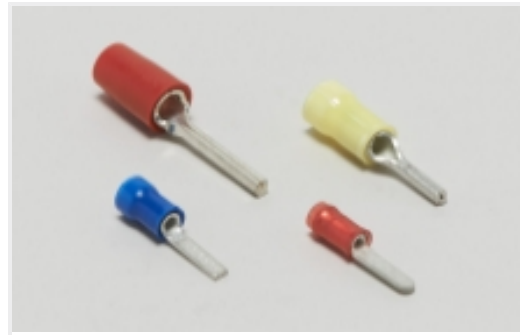


TE Part # 679300-1
1210 PIDG CRIMP HEAD

Also in the Series | PIDG



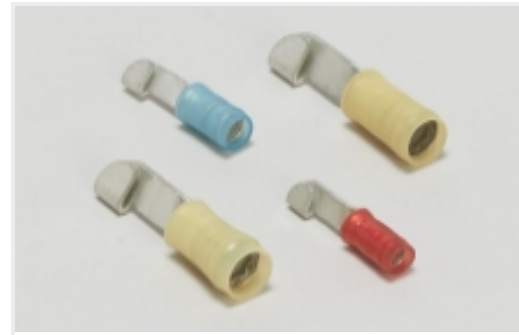
Compression Connectors(17)



Crimp Wire Pins, Tabs & Ferrules(41)



Hand Crimping Tools(2)



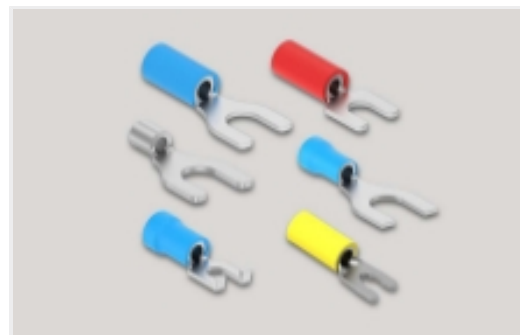
Knife Disconnects(11)



Quick Disconnects(38)



Ring Terminals(588)



Spade Terminals(228)



Special Purpose Terminals(1)



Splices(41)

Customers Also Bought



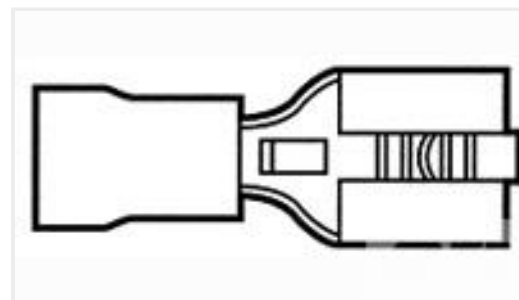
TE Part #32588
TERMINAL,PIDG SPD 12-10 8



TE Part #925367-4
MOD 4 REC.HSG 2X04P



TE Part #2-34149-1
PG R 22-16 COMM 22-18 MIL 10



TE Part #9-160583-6
250 PIDG FASTON REC



TE Part #165133
PIDG WIRE PIN



TE Part #1SNA117600R0300
FEDR61



TE Part #1SNA230001R0700
RC55 0->9 (X10) HORIZONTAL



TE Part #1SNA110491R1700
DR4/6.1

