

HC-STA-D07-BWSCF-EL-AL - Housing



1419251

<https://www.phoenixcontact.com/us/products/1419251>

Please be informed that the data shown in this PDF document is generated from our online catalog. Please find the complete data in the user documentation. Our general terms of use for downloads are valid.



Panel mounting base D7, with single locking latch, material: Die-cast aluminum, salt water resistant, protective cover material: PA, height: 25.5 mm, cable gland: none, protective cover: yes, Standard, for socket inserts

Commercial data

Item number	1419251
Packing unit	1 pc
Minimum order quantity	1 pc
Sales key	BF56
Product key	BF7APF
Catalog page	Page 517 (C-2-2019)
GTIN	4055626159829
Weight per piece (including packing)	26.8 g
Weight per piece (excluding packing)	26.8 g
Customs tariff number	85389099
Country of origin	CN

HC-STA-D07-BWSCF-EL-AL - Housing



1419251

<https://www.phoenixcontact.com/us/products/1419251>

Technical data

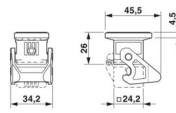
Notes

General	for contact inserts HC-A03, A04, D07, D08, Q02, Q03, Q04, Q05, Q07, Q12
---------	---

Product properties

Product type	Housing with locking latch
Housing type	Panel mounting base
Product family	HC-STA-D07
Application	Standard
Type	D7
Protective cover	yes
Shielded	no
Pg screw connection	none

Dimensions

Dimensional drawing	
Width	34.2 mm
Height	25.5 mm
Length	24.2 mm
Hole diameter	3.2 mm

Installation dimensions

Width of the assembly cutout	21 mm
Length of the assembly cutout	21 mm

Material specifications

Flammability rating according to UL 94	V0 (Interlock) V0 (Protective cover)
Seal material Flat gasket	NBR, conductive
Seal material Profile gasket	NBR
Housing material	Die-cast aluminum, salt water resistant
Housing surface material	uncoated
Material, protective cover	PA
Locking latch material	PA

Mechanical properties

Mechanical data

Locking type	Latch
--------------	-------

HC-STA-D07-BWSCF-EL-AL - Housing



1419251

<https://www.phoenixcontact.com/us/products/1419251>

Connection data

Tightening torque	0.5 Nm ... 0.8 Nm (For M3 mounting screws on the panel-mount base)
-------------------	--

Mounting

Assembly note	For mounting socket inserts
---------------	-----------------------------

Environmental and real-life conditions

Ambient conditions

Degree of protection	IP66 (with locked protective cover) IP67 (when plugged in)
Enclosure rating (NEMA)	4 (UL 50e) 4X (UL 50e)
Impact strength	IK06
Ambient temperature (operation)	-40 °C ... 125 °C

HC-STA-D07-BWSCF-EL-AL - Housing

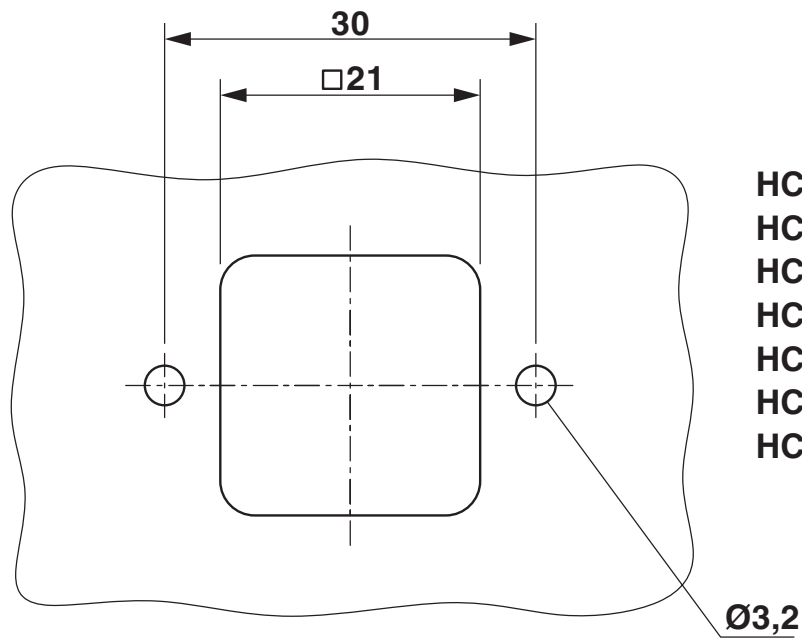


1419251

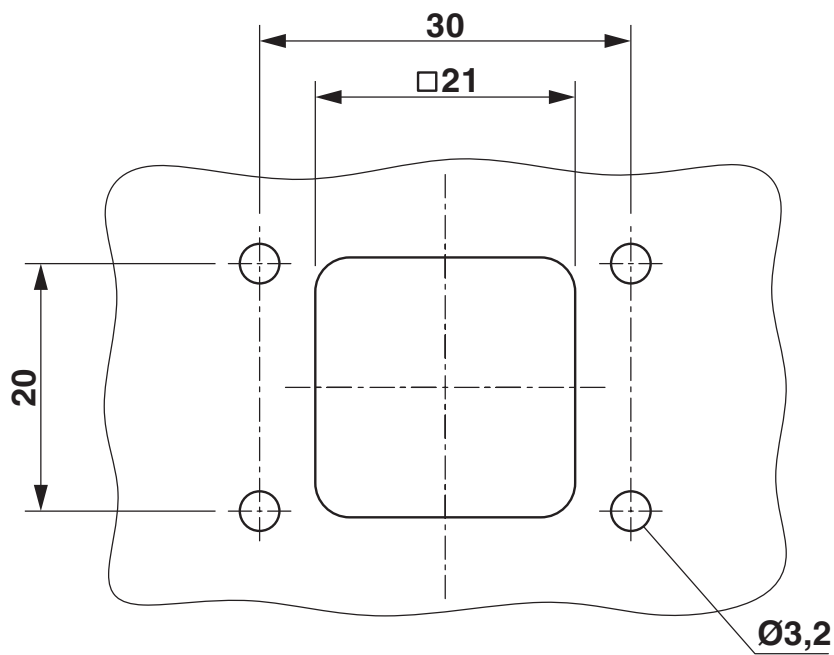
<https://www.phoenixcontact.com/us/products/1419251>

Drawings

Dimensional drawing



HC-A03
HC-A04
HC-D07
HC-D08
HC-Q05
HC-Q07
HC-Q12



HC-Q02
HC-Q03
HC-Q04

Mounting cutout

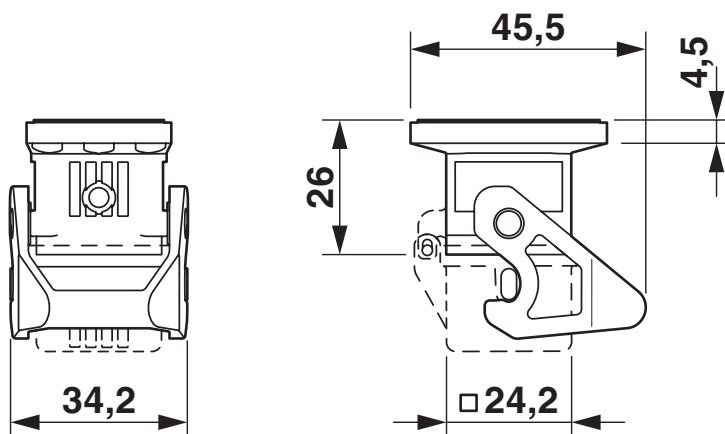
HC-STA-D07-BWSCF-EL-AL - Housing

1419251

<https://www.phoenixcontact.com/us/products/1419251>



Dimensional drawing



Dimensional drawing

1419251

<https://www.phoenixcontact.com/us/products/1419251>

Approvals

🔗 To download certificates, visit the product detail page: <https://www.phoenixcontact.com/us/products/1419251>

DNV

Approval ID: TAE000037S



cUL Recognized

Approval ID: E255026



UL Recognized

Approval ID: E255026

cULus Recognized

HC-STA-D07-BWSCF-EL-AL - Housing



1419251

<https://www.phoenixcontact.com/us/products/1419251>

Classifications

ECLASS

ECLASS-11.0	27440202
ECLASS-12.0	27440202
ECLASS-13.0	27440202

ETIM

ETIM 9.0	EC000437
----------	----------

UNSPSC

UNSPSC 21.0	31261500
-------------	----------

1419251

<https://www.phoenixcontact.com/us/products/1419251>

Environmental product compliance

EU RoHS

Fulfills EU RoHS substance requirements	Yes, No exemptions
---	--------------------

China RoHS

Environment friendly use period (EFUP)	EFUP-E
	No hazardous substances above the limits

EU REACH SVHC

REACH candidate substance (CAS No.)	No substance above 0.1 wt%
-------------------------------------	----------------------------

Phoenix Contact 2025 © - all rights reserved
<https://www.phoenixcontact.com>

Phoenix Contact USA
586 Fulling Mill Road
Middletown, PA 17057, United States
(+717) 944-1300
info@phoenixcon.com