

5552235-1 ✓ ACTIVE

CHAMP

TE Internal #: 5552235-1

Receptacle, Cable-to-Board, 36 Position, 2.16 mm [.085 in]

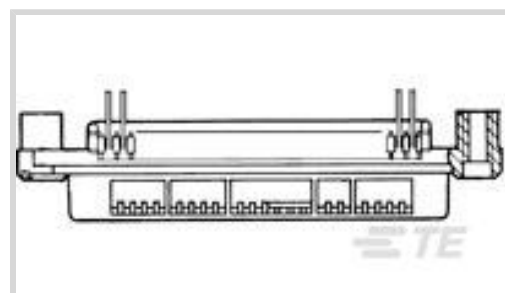
Centerline, 2 Row, Standard Profile, Vertical, Printed Circuit Board,

PCB D-Sub Connectors

[View on TE.com >](#)



Connectors > D-Shaped Connectors > D-Sub Connectors > PCB D-Sub Connectors > D-Sub Receptacle Assembly: Vertical, 2.16mm



Connector & Housing Type: **Receptacle**

Connector System: **Cable-to-Board**

Number of Positions: **36**

Centerline (Pitch): **2.16 mm [.085 in]**

Number of Rows: **2**

[All D-Sub Receptacle Assembly: Vertical, 2.16mm \(5\)](#)

Features

Industry Standards

UL Flammability Rating	UL 94V-0
------------------------	----------

Termination Features

Rectangular Termination Post & Tail Width	.5 mm[.019 in]
---	----------------

Rectangular Termination Post & Tail Thickness	.25 mm[.01 in]
---	----------------

Termination Method to PCB	Through Hole - Solder
---------------------------	-----------------------

Termination Post & Tail Length	.18 mm
--------------------------------	--------

Contact Features

Contact Underplating Material	Palladium Nickel
-------------------------------	------------------

	30 µin
--	--------

Contact Options	Installed
-----------------	-----------

Contact Mating Area Plating Material	Gold Flash, Gold
--------------------------------------	------------------

Contact Base Material	Phosphor Bronze
-----------------------	-----------------

PCB Contact Termination Area Plating Material	Tin
---	-----

Packaging Features

Packaging Quantity	75
--------------------	----

Packaging Method	Tray
------------------	------



Operation/Application

Shielded	No
Circuit Application	Signal

Mechanical Attachment

Mounting Feature Material	Thermoplastic
PCB Mount Retention	Without
Mating Retention	With
Mating Retention Type	Bail Lock, Screwlocks
Connector Mounting Type	Board Mount

Body Features

Primary Product Color	Black
Connector Profile	Standard

Dimensions

PCB Thickness (Recommended)	1.57 mm, 3.18 mm, 2.36 mm [.062 in][.093 in] [.125 in]
Row-to-Row Spacing	4.3 mm [.169 in]

Housing Features

Housing Material	Thermoplastic
Centerline (Pitch)	2.16 mm [.085 in]

Product Type Features

Connector & Housing Type	Receptacle
Connector System	Cable-to-Board
Connector & Contact Terminates To	Printed Circuit Board

Configuration Features

Number of Positions	36
Number of Rows	2
PCB Mount Orientation	Vertical

Usage Conditions

Operating Temperature Range	-40 – 105 °C [-40 – 221 °F]
-----------------------------	-----------------------------

Other

EU RoHS Compliance	Compliant
EU ELV Compliance	Compliant



Product Compliance

[For compliance documentation, visit the product page on TE.com>](#)

EU RoHS Directive 2011/65/EU	Compliant
EU ELV Directive 2000/53/EC	Compliant
China RoHS 2 Directive MIIT Order No 32, 2016	No Restricted Materials Above Threshold
EU REACH Regulation (EC) No. 1907/2006	Current ECHA Candidate List: JUNE 2024 (241) Candidate List Declared Against: JUNE 2024 (241) Does not contain REACH SVHC
Halogen Content	Not Low Halogen - contains Br or Cl > 900 ppm.
Solder Process Capability	Wave solder capable to 265°C

Product Compliance Disclaimer

This information is provided based on reasonable inquiry of our suppliers and represents our current actual knowledge based on the information they provided. This information is subject to change. The part numbers that TE has identified as EU RoHS compliant have a maximum concentration of 0.1% by weight in homogenous materials for lead, hexavalent chromium, mercury, PBB, PBDE, DBP, BBP, DEHP, DIBP, and 0.01% for cadmium, or qualify for an exemption to these limits as defined in the Annexes of Directive 2011/65/EU (RoHS2). Finished electrical and electronic equipment products will be CE marked as required by Directive 2011/65/EU. Components may not be CE marked. Additionally, the part numbers that TE has identified as EU ELV compliant have a maximum concentration of 0.1% by weight in homogenous materials for lead, hexavalent chromium, and mercury, and 0.01% for cadmium, or qualify for an exemption to these limits as defined in the Annexes of Directive 2000/53/EC (ELV). Regarding the REACH Regulation, the information TE provides on SVHC in articles for this part number is based on the latest European Chemicals Agency (ECHA) 'Guidance on requirements for substances in articles' posted at this URL: <https://echa.europa.eu/guidance-documents/guidance-on-reach>

Customers Also Bought



TE Part #552274-1
ASSY, PLUG, 36 POS, B SLOT



TE Part #6-1393211-5
T92P7D12-12



TE Part #640456-2
02P MTA100 HDR ASSY F/L SQ STR



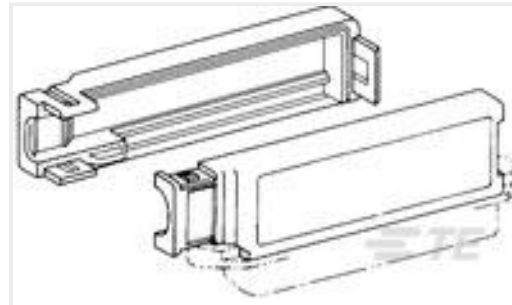
TE Part #1-1939638-7
DYNAMIC 1100D HDR ASSY H 34P
XBLACK GOLD



TE Part #1888251-2
Low Profile,RJ45,1x4,Bi-Color



TE Part #1888250-2
Low Profile RJ45,1x1,Bi-color



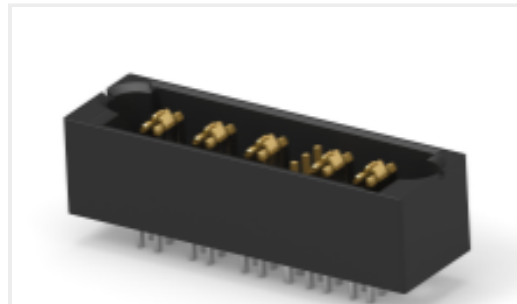
TE Part #3-552414-1
90 DEG COVER KIT 36 POS BLK



TE Part #644753-2
02P MTA156 HDR ASSY RN STR F/L



TE Part #171825-3
POST HEADER ASSY EI SRS 3POS



TE Part #3-6450820-5
MBXL VERT HDR 3ACP + 4S + 2P

Documents

Product Drawings

[ASSY, RCPT, 36 POS, VERT MTG](#)

English

CAD Files

[3D PDF](#)

English

Customer View Model

[ENG_CVM_5552235-1_O.2d_dxf.zip](#)

English

Customer View Model

[ENG_CVM_5552235-1_O.3d_igs.zip](#)

English

Customer View Model

[ENG_CVM_5552235-1_O.3d_stp.zip](#)

English

By downloading the CAD file I accept and agree to the [Terms and Conditions](#) of use.

Product Specifications

[Application Specification](#)

English