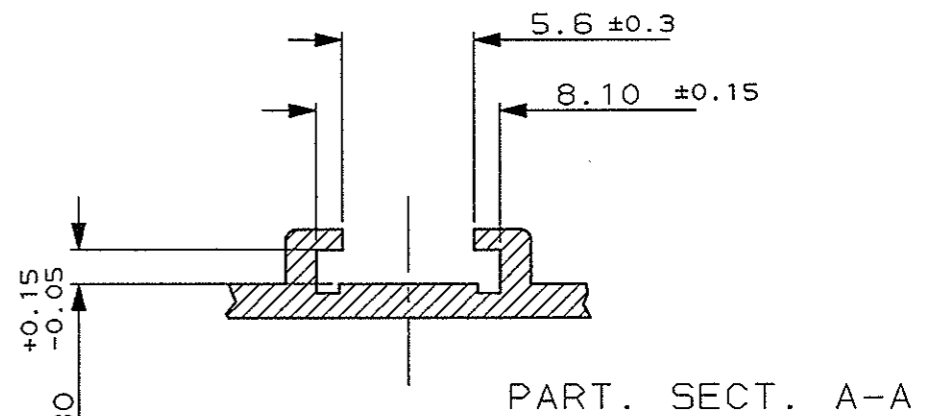
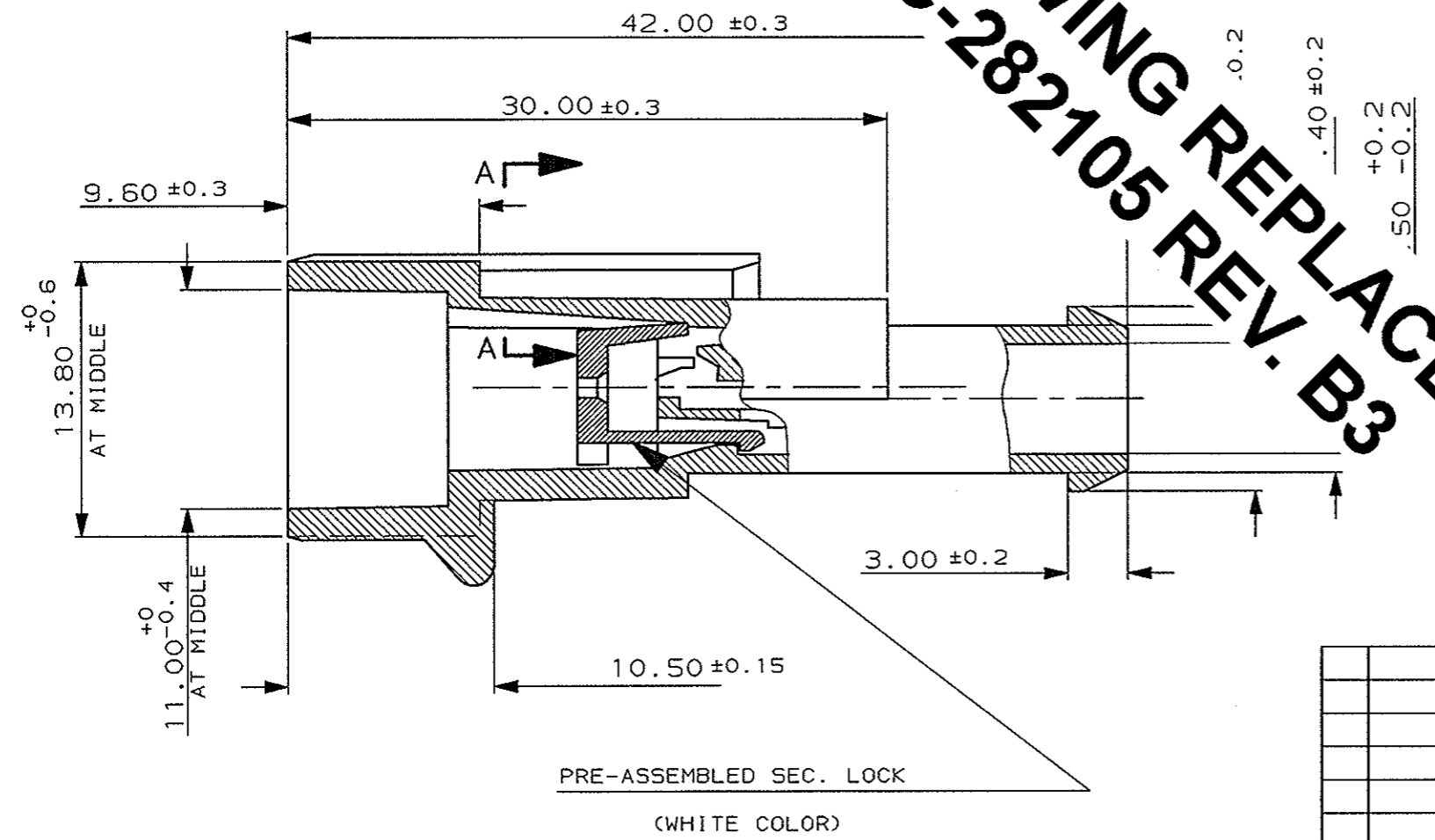
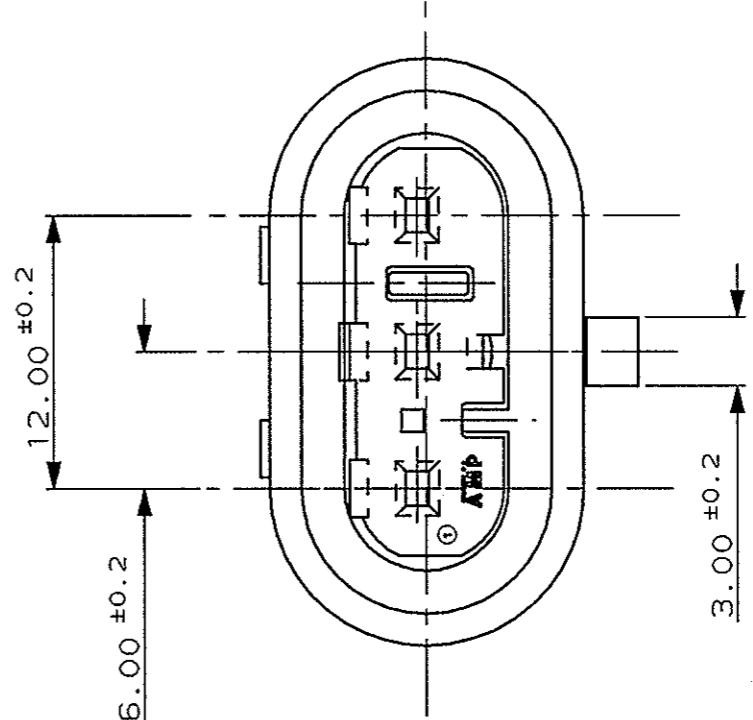
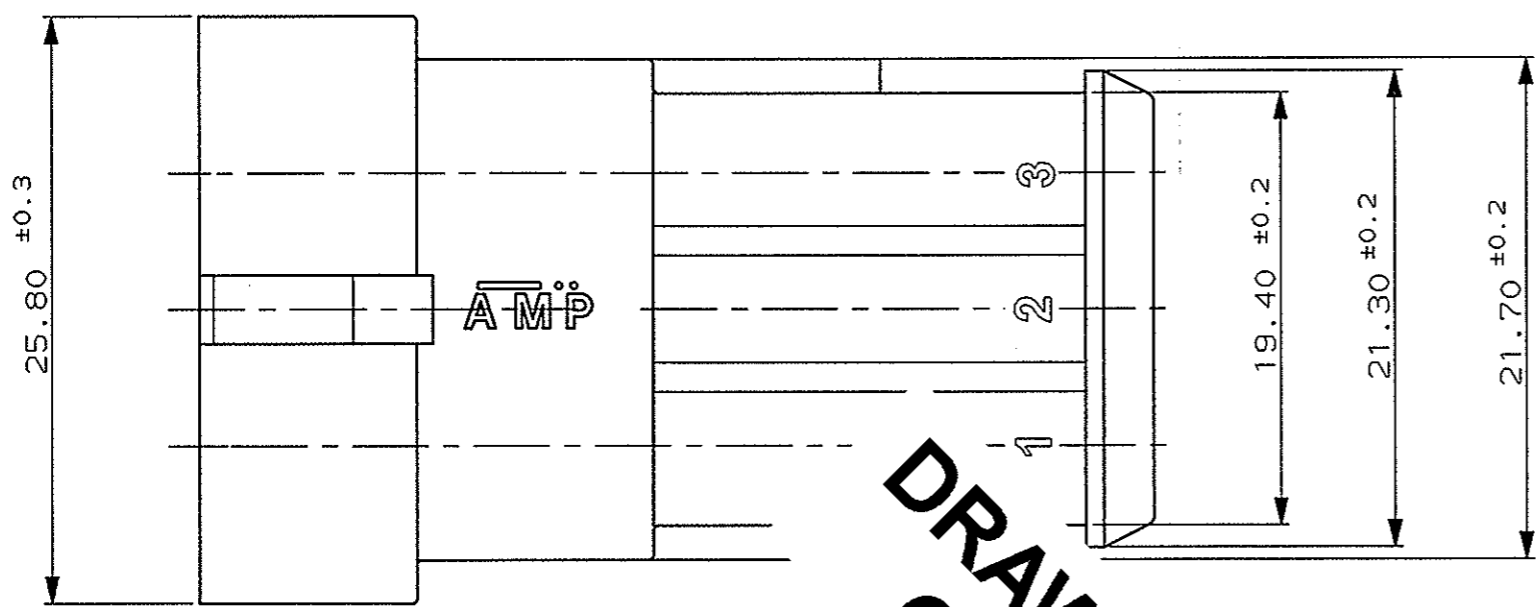


SCALA NON IMPEGNATIVA
(DO NOT SCALE)
DIMENSIONI IN
(DIMENSIONS IN) mm

METRIC

PROIEZIONE EUROPEA
(EUROPEAN PROJECTION)



DRAWING REPLACED BY
C-282105 REV. B3

PRE-ASSEMBLED SEC. LOCK
(WHITE COLOR)

BIANCO (WHITE)	PA 6.6 - GF20% ACC.TO IEC 60335-1	1745082-1
FINITURA / COLORE (FINISH / COLOUR)	MATERIALE (MATERIAL)	NUMERO (PART NUMBER)

CUSTOMER DWG. FOR REFERENCE ONLY DISEGNO PER CLIENTE SOLO PER RIFERIMENTO

THIS DRAWING IS UNPUBLISHED	RELEASE FOR PUBLICATION	19
© COPYRIGHT 19 BY AMP INCORPORATED, HARRISSBURG, PA. ALL INTERNATIONAL RIGHT RESERVED. AMP PRODUCTS MAY BE COVERED BY U.S. AND FOREIGN PATENT AND/OR PATENT PENDING		
TOLLERANZE: SE NON DIVERSAMENTE SPECIFICATO (TOLERANCES: UNLESS OTHERWISE SPECIFIED)	DIAM. ISOLANTE (INS. DIA. RANGE)	RANGO FILO (WIRE RANGE)
± 0.3	-	-
ANGOLI (ANGLES)	SCALA (SCALE)	
± 2°	-	

tyco **Electronics** AMP ITALIA S.p.A.
Corso F.lli Cervi, 15
COLLEGNO (TORINO)

A2	DRAWING REPLACED (ECO-17-009774)	M.G.	06SEP 2017
A1	RELEASED FOR PRODUCTION (ECR-06-028933)	M.G.	18-12 06
A	FIRST ISSUE	M.P.	10-4 06
REV. (REV. DATE)	REVISIONI (REVISION RECORD)	DIS. (OR)	DATA (DATE)

DIS. M. PALMA (OR.)	10-4-2006	DESCRIZIONE (DESCRIPTION)	3 POS TAB ASS'Y
CONT. R. MARTINI (CHK)	10-4-2006	AMP SUPERSEAL 1.5 SERIES CONNECTORS	
APP. A. GENTA (APP.)	10-4-2006	LOC. SIZE	NUMERO (DWG NO)
I	A3	C-1745082	A2
REV.	FOGLIO (SHEET)	DI (OF)	1

DISTRIBUZIONE
(PRINT DIST.)