

2313376-1 ✓ ACTIVE

NanoRF

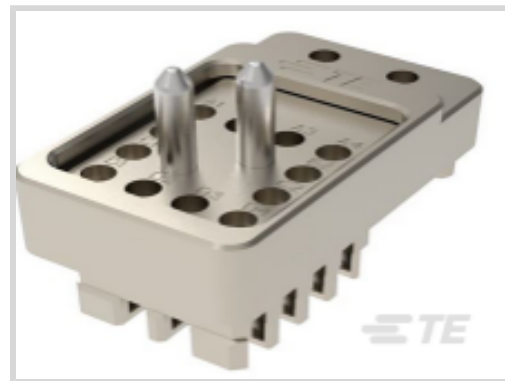
TE Internal #: 2313376-1

12 Coaxial Contacts, Vertical, Stainless Steel, Cable-to-Cable, 12 Position, Wire & Cable, Panel Mount, NanoRF, PCB RF Modules

[View on TE.com >](#)



Connectors > RF Connectors > RF Modules > PCB RF Modules



Number of Coaxial Contacts: 12

PCB Mount Orientation: **Vertical**

Body Material: **Stainless Steel**

Connector System: **Cable-to-Cable**

Number of Positions: 12

Features

Electrical Characteristics

Impedance	50 Ω
-----------	-------------

Operation/Application

Circuit Application	Signal
---------------------	--------

Dimensions

RF Contact Spacing	2.79 mm[.11 in]
--------------------	-----------------

Contact Features

RF Connector Center Contact Material	Beryllium Copper
--------------------------------------	------------------

Contact Current Rating (Max)	1 A
------------------------------	-----

Body Features

Body Plating Material	Passivated
-----------------------	------------

Body Material	Stainless Steel
---------------	-----------------

Configuration Features

Number of Coaxial Contacts	12
----------------------------	----

PCB Mount Orientation	Vertical
-----------------------	----------

Number of Positions	12
---------------------	----

Product Type Features

Connector System	Cable-to-Cable
------------------	----------------



Connector & Contact Terminates To

Wire & Cable

Mechanical Attachment

Connector Mounting Type

Panel Mount

Usage Conditions

Operating Temperature Range

-65 – 120 °C[-85 – 248 °F]

Other

EU RoHS Compliance

Compliant

EU ELV Compliance

Compliant

Product Compliance

For compliance documentation, visit the product page on [TE.com](#)>

EU RoHS Directive 2011/65/EU

Compliant

EU ELV Directive 2000/53/EC

Compliant

China RoHS 2 Directive MIIT Order No 32, 2016

No Restricted Materials Above Threshold

EU REACH Regulation (EC) No. 1907/2006

Current ECHA Candidate List: JUNE 2024 (241)
 Candidate List Declared Against: JAN 2019 (197)
 SVHC > Threshold:
 Not Yet Reviewed

Halogen Content

Low Halogen - Br, Cl, F, I < 900 ppm per homogenous material. Also BFR/CFR/PVC Free

Solder Process Capability

Not applicable for solder process capability

Product Compliance Disclaimer

This information is provided based on reasonable inquiry of our suppliers and represents our current actual knowledge based on the information they provided. This information is subject to change. The part numbers that TE has identified as EU RoHS compliant have a maximum concentration of 0.1% by weight in homogenous materials for lead, hexavalent chromium, mercury, PBB, PBDE, DBP, BBP, DEHP, DIBP, and 0.01% for cadmium, or qualify for an exemption to these limits as defined in the Annexes of Directive 2011/65/EU (RoHS2). Finished electrical and electronic equipment products will be CE marked as required by Directive 2011/65/EU. Components may not be CE marked. Additionally, the part numbers that TE has identified as EU ELV compliant have a maximum concentration of 0.1% by weight in homogenous materials for lead, hexavalent chromium, and mercury, and 0.01% for cadmium, or qualify for an exemption to these limits as defined in the Annexes of Directive 2000/53/EC (ELV). Regarding the REACH Regulations, TE's information on SVHC in articles for this part number is still based on the European Chemical Agency (ECHA) 'Guidance on requirements for substances in articles' (Version: 2, April 2011), applying the 0.1% weight on weight concentration threshold at the finished product level. TE is aware of the European Court of Justice ruling of September 10th, 2015 also known as O5A (Once An Article Always An Article) stating that, in case of 'complex object', the threshold for a SVHC must be applied to both the product as a whole and simultaneously to each of the articles forming part of its composition. TE has evaluated this ruling based on the new ECHA "Guidance on requirements for substances in articles" (June 2017, version 4.0) and will be updating its statements accordingly.



Also in the Series | NanoRF



PCB RF Modules(12)



RF Contacts(3)

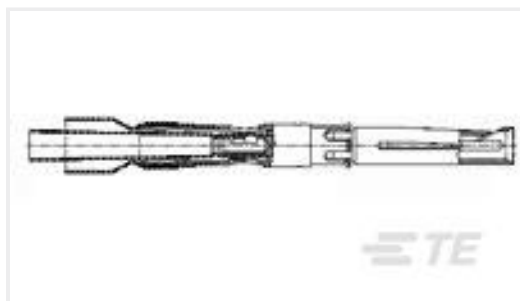
Customers Also Bought



TE Part #4108170001
HT-SCE-1/8-2.0-9



TE Part #2000713-5
RA Keyed Guide Mod, Vita 46,
Machined



TE Part #355956-000
D-602-0172



TE Part #1050548-1
2001 5032 02



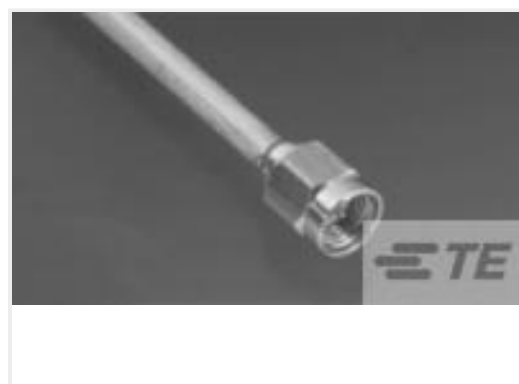
TE Part #2302339-1
NanoRF SKT CONTACT, DAUGHTER
CARD



TE Part #2302345-1
NanoRF PIN CONTACT, BACKPLANE



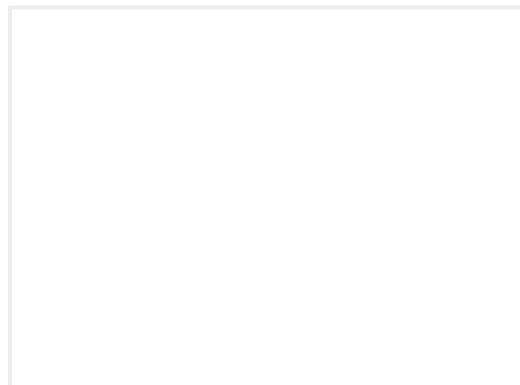
TE Part #1589700-1
SSM051B2H = SMT CONN



TE Part #1050525-1
2001 5003 02,SMA CABLE PLUG



TE Part #2332772-1
NanoRF PIN CONTACT, BACKPLANE
086



TE Part #ZPF000000000149486
732-8075-00

Documents

Product Drawings
NanoRF, BP, 12 POS, 67.3 D

English

CAD Files

3D PDF

3D



Customer View Model

[ENG_CVM_CVM_2313376-1_4.2d_dxf.zip](#)

English

Customer View Model

[ENG_CVM_CVM_2313376-1_4.3d_igs.zip](#)

English

Customer View Model

[ENG_CVM_CVM_2313376-1_4.3d_stp.zip](#)

English

By downloading the CAD file I accept and agree to the [Terms and Conditions](#) of use.

Product Specifications

[Product Specification](#)

English

[Product Specification](#)

English

Instruction Sheets

[Instruction Sheet \(U.S.\)](#)

English