



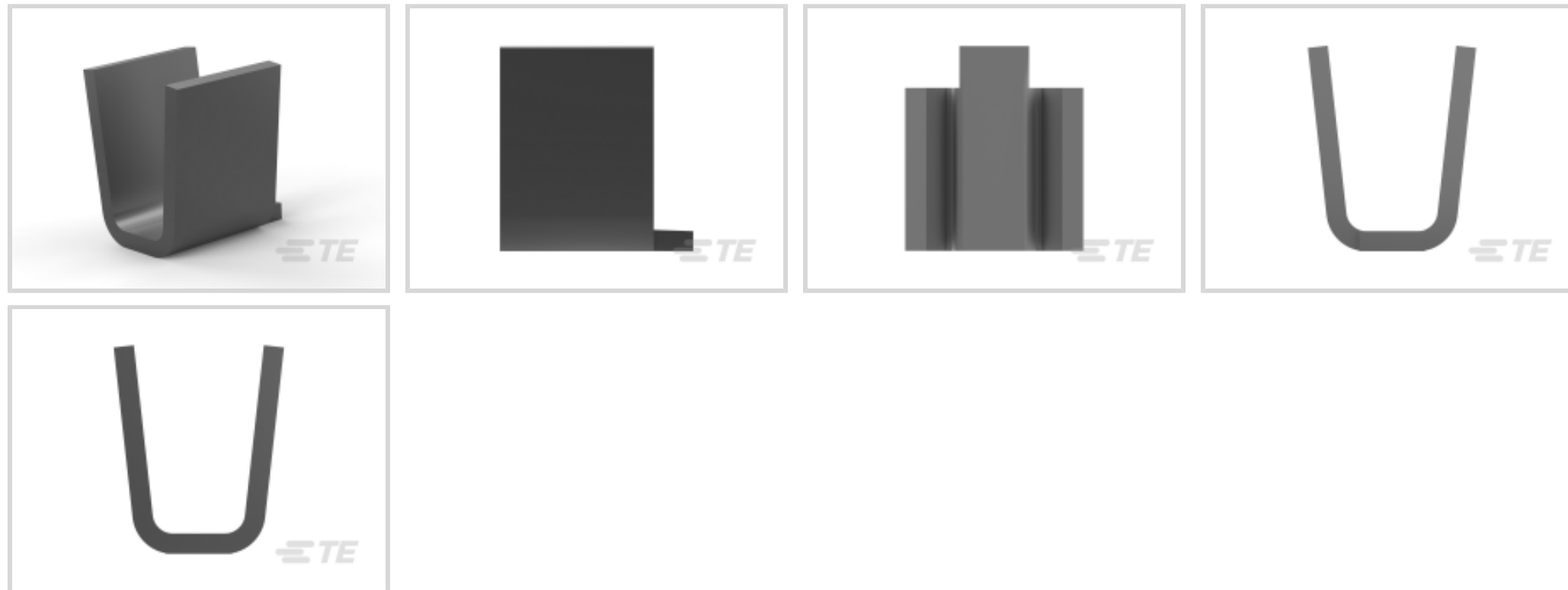
**SPLICE**

TE Internal #: 40552

Pigtail Splice / Thru Splice, Serrated, 3300 – 9000 CMA, Brass, 3 Serration, Length 3.86 mm [.152 in], Reel, Open Barrel, SPLICE

[View on TE.com >](#)

Terminals & Splices > Splices



Splice Type: **Pigtail Splice, Thru Splice**

Sealable: **No**

Splice Features: **Serrated**

Wire Size: **3300 – 9000 CMA**

Contact Base Material: **Brass**

**Features**

**Packaging Features**

Packaging Quantity	30000
Packaging Method	Reel

**Body Features**

Product Weight	.229 g
Splice Features	Serrated

**Product Type Features**

Splice Type	Pigtail Splice, Thru Splice
Sealable	No
Compatible With Discrete Wire Type	Solid, Stranded
Wire Insulation Support Retention Type	Non-Insulation Support

**Configuration Features**

Number of Serrations	3
Compatible With Wire & Cable Type	Discrete Wire

**Contact Features**



Contact Base Material	Brass
-----------------------	-------

Barrel Type	Open
-------------	------

### Mechanical Attachment

Wire Insulation Support	Without
-------------------------	---------

### Dimensions

Wire Size	3300 – 9000 CMA
-----------	-----------------

Terminal Material Thickness	.51 mm [.02 in]
-----------------------------	-----------------

Product Length	3.86 mm [.152 in]
----------------	-------------------

### Usage Conditions

Insulation Option	Uninsulated
-------------------	-------------

Operating Temperature Range	-40 – 110 °C [-40 – 230 °F]
-----------------------------	-----------------------------

### Operation/Application

Compatible With Wire Base Material	Copper
------------------------------------	--------

### Industry Standards

Government Qualified Splice	No
-----------------------------	----

### Other

EU RoHS Compliance	Compliant
--------------------	-----------

EU ELV Compliance	Compliant
-------------------	-----------

### Product Compliance

[For compliance documentation, visit the product page on TE.com>](#)

EU RoHS Directive 2011/65/EU	Compliant
------------------------------	-----------

EU ELV Directive 2000/53/EC	Compliant
-----------------------------	-----------

China RoHS 2 Directive MIIT Order No 32, 2016	No Restricted Materials Above Threshold
---	---

EU REACH Regulation (EC) No. 1907/2006	Current ECHA Candidate List: JUNE 2024 (241) Candidate List Declared Against: JUNE 2024 (241) Does not contain REACH SVHC
--	---

Halogen Content	Low Halogen - Br, Cl, F, I < 900 ppm per homogenous material. Also BFR/CFR/PVC Free
-----------------	---

Solder Process Capability	Not applicable for solder process capability
---------------------------	--



This information is provided based on reasonable inquiry of our suppliers and represents our current actual knowledge based on the information they provided. This information is subject to change. The part numbers that TE has identified as EU RoHS compliant have a maximum concentration of 0.1% by weight in homogenous materials for lead, hexavalent chromium, mercury, PBB, PBDE, DBP, BBP, DEHP, DIBP, and 0.01% for cadmium, or qualify for an exemption to these limits as defined in the Annexes of Directive 2011/65/EU (RoHS2). Finished electrical and electronic equipment products will be CE marked as required by Directive 2011/65/EU. Components may not be CE marked. Additionally, the part numbers that TE has identified as EU ELV compliant have a maximum concentration of 0.1% by weight in homogenous materials for lead, hexavalent chromium, and mercury, and 0.01% for cadmium, or qualify for an exemption to these limits as defined in the Annexes of Directive 2000/53/EC (ELV). Regarding the REACH Regulation, the information TE provides on SVHC in articles for this part number is based on the latest European Chemicals Agency (ECHA) 'Guidance on requirements for substances in articles' posted at this URL: <https://echa.europa.eu/guidance-documents/guidance-on-reach>

## Compatible Parts



TE Part # 140723-2  
SPLICE 22-16 AWG .02 TPBR



TE Part # 4150059-2  
OCEAN-2.0-APPLICATOR-E-140F-SEA



TE Part # 4150059-1  
OCEAN-2.0-APPLICATOR-E-140F-SEM



TE Part # 160660-2  
SPLICE 22-18 AWG .013 TPBR



TE Part # 7-4150059-7  
OCEAN\_2.0\_SPARE\_PART\_KIT-140F

## Also in the Series | SPLICE



Crimp Wire Pins, Tabs & Ferrules(1)



Splices(63)

## Customers Also Bought



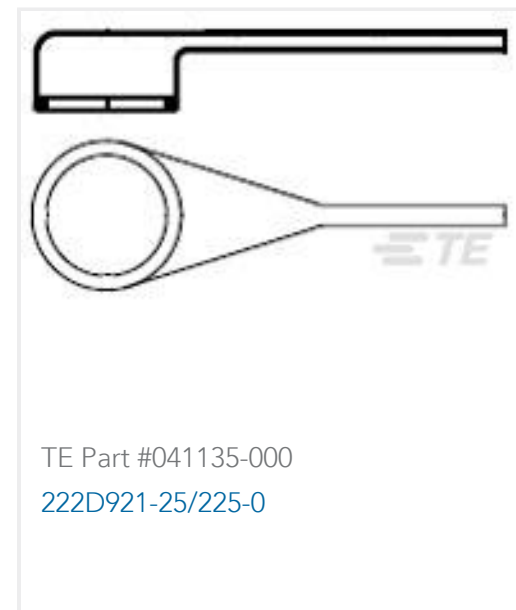
TE Part #1-967584-3  
4POS MQS TAB SEALED COD A



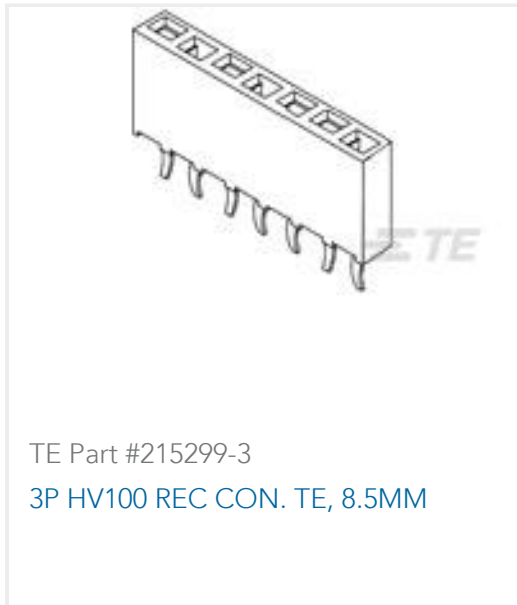
TE Part #63130-3  
SPLICE REC. 1500-5000 .020 TPBR



TE Part #62310-2  
AMVAR SPLC 7000-13000 025TPBR



TE Part #041135-000  
222D921-25/225-0



TE Part #215299-3  
3P HV100 REC CON. TE, 8.5MM



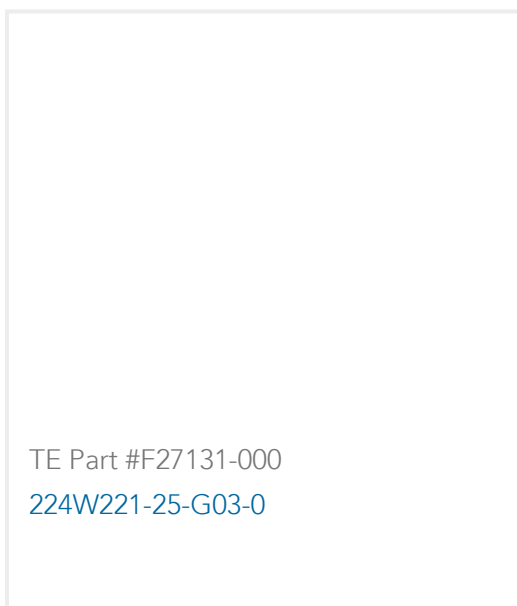
TE Part #5108764005  
RAYRIM-NR6-0-SP



TE Part #5677584004  
RNF-3000-9/3-0-SP



TE Part #1-929089-1  
3POS MQS FFC REC COD A



TE Part #F27131-000  
224W221-25-G03-0



TE Part #2217000-1  
G II CE TERMINATOR

## Documents

### Product Drawings

[SPLICE 3300 TO 9000 CMA TPBR](#)

English

### CAD Files

[3D PDF](#)

3D

Customer View Model

[ENG\\_CVM\\_CVM\\_40552\\_BB\\_c-40552-bb.2d\\_dxf.zip](#)

English

Customer View Model

[ENG\\_CVM\\_CVM\\_40552\\_BB\\_c-40552-bb.3d\\_igs.zip](#)

English

Customer View Model

[ENG\\_CVM\\_CVM\\_40552\\_BB\\_c-40552-bb.3d\\_stp.zip](#)

English

By downloading the CAD file I accept and agree to the [Terms and Conditions](#) of use.

### Product Specifications



### Application Specification

English

---

### Agency Approvals

#### CSA Certificate

English