



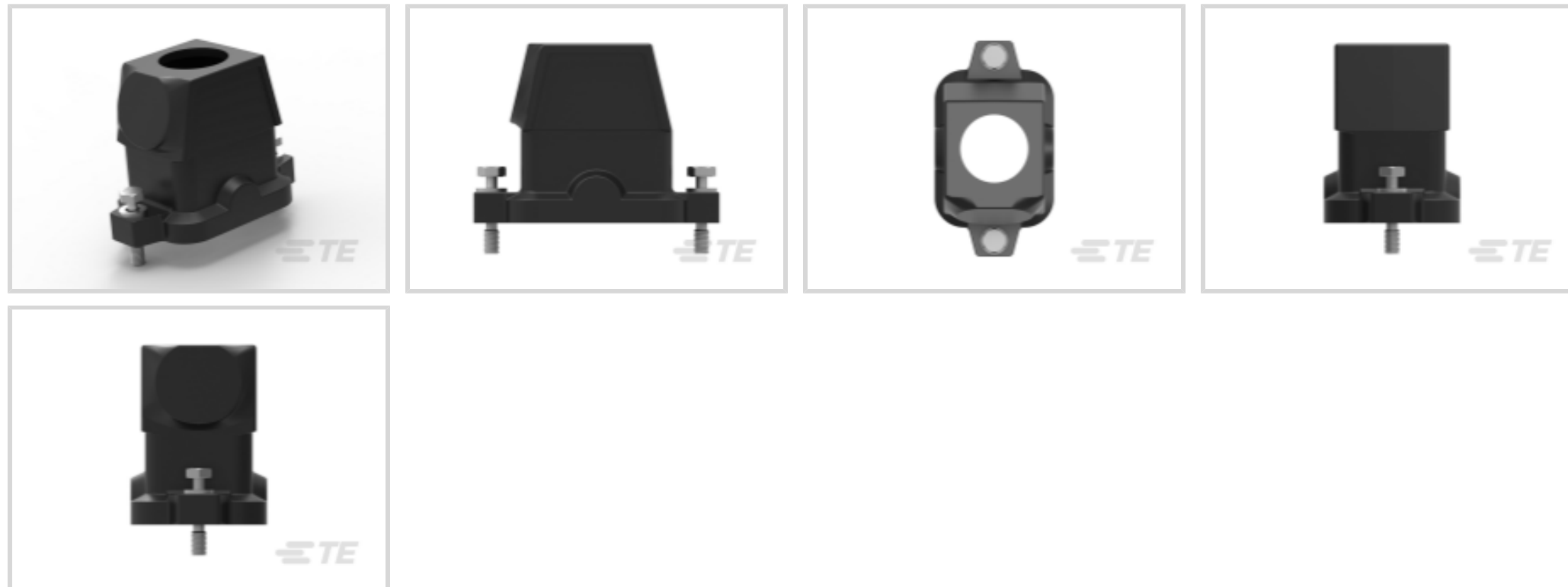
HDC

TE Internal #: T1922060132-000

Heavy Duty Connector Hood, Top & Side Entry, Screwlock, Sealable

[View on TE.com >](#)

Connectors > Rectangular Connectors > Rectangular Connector Hoods & Bases



Hood & Base Connector Product Type: **Hood**

Cable Entry Location: **Top & Side**

Hood & Base Locking Device Type: **Screwlock**

Sealable: **Yes**

EU RoHS Compliance: **Compliant**

**Features**

**Usage Conditions**

Corrosion Protected	Yes
---------------------	-----

**Housing Features**

Housing Material	Die Cast Aluminum
------------------	-------------------

**Mechanical Attachment**

Thread Size	M32
Locking Device Location	Housing
Hood & Base Locking Device Type	Screwlock

**Product Type Features**

Hood & Base Connector Product Type	Hood
Sealable	Yes

**Body Features**

Cable Entry Location	Top & Side
----------------------	------------

**Other**

EU RoHS Compliance	Compliant
--------------------	-----------



EU ELV Compliance

Compliant

### Product Compliance

[For compliance documentation, visit the product page on TE.com>](#)

EU RoHS Directive 2011/65/EU	Compliant
EU ELV Directive 2000/53/EC	Compliant
China RoHS 2 Directive MIIT Order No 32, 2016	No Restricted Materials Above Threshold
EU REACH Regulation (EC) No. 1907/2006	Current ECHA Candidate List: JUNE 2024 (241) Candidate List Declared Against: JUNE 2024 (241) Does not contain REACH SVHC
Halogen Content	BFR/CFR/PVC Free, but Br/Cl >900 ppm in other sources.
Solder Process Capability	Not reviewed for solder process capability

#### Product Compliance Disclaimer

This information is provided based on reasonable inquiry of our suppliers and represents our current actual knowledge based on the information they provided. This information is subject to change. The part numbers that TE has identified as EU RoHS compliant have a maximum concentration of 0.1% by weight in homogenous materials for lead, hexavalent chromium, mercury, PBB, PBDE, DBP, BBP, DEHP, DIBP, and 0.01% for cadmium, or qualify for an exemption to these limits as defined in the Annexes of Directive 2011/65/EU (RoHS2). Finished electrical and electronic equipment products will be CE marked as required by Directive 2011/65/EU. Components may not be CE marked. Additionally, the part numbers that TE has identified as EU ELV compliant have a maximum concentration of 0.1% by weight in homogenous materials for lead, hexavalent chromium, and mercury, and 0.01% for cadmium, or qualify for an exemption to these limits as defined in the Annexes of Directive 2000/53/EC (ELV). Regarding the REACH Regulation, the information TE provides on SVHC in articles for this part number is based on the latest European Chemicals Agency (ECHA) 'Guidance on requirements for substances in articles' posted at this URL: <https://echa.europa.eu/guidance-documents/guidance-on-reach>

### Compatible Parts



### Customers Also Bought



TE Part #CAT-D9934-A66B  
DYNAMIC 2000 HDR ASSY



TE Part #CAT-D9934-A75A  
DYNAMIC 3100 REC AND TAB HSG



TE Part #2-1318119-4  
DYNAMIC D2100 REC HSG 8P DBL Y



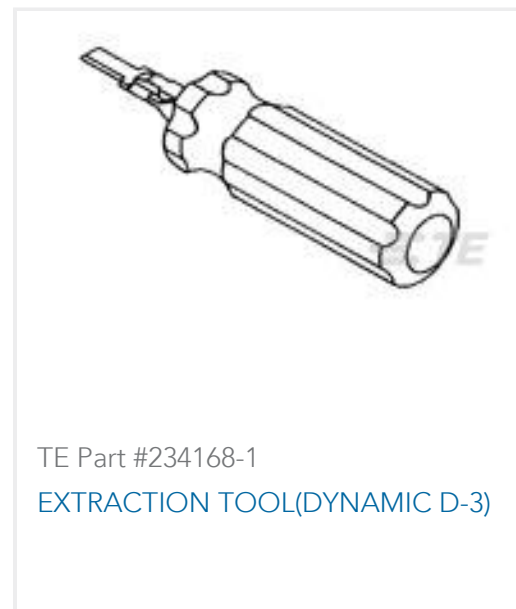
TE Part #T4171230012-001  
M12,FRONT MOUNT,MALE, A,12P, 0.2 M WIRE



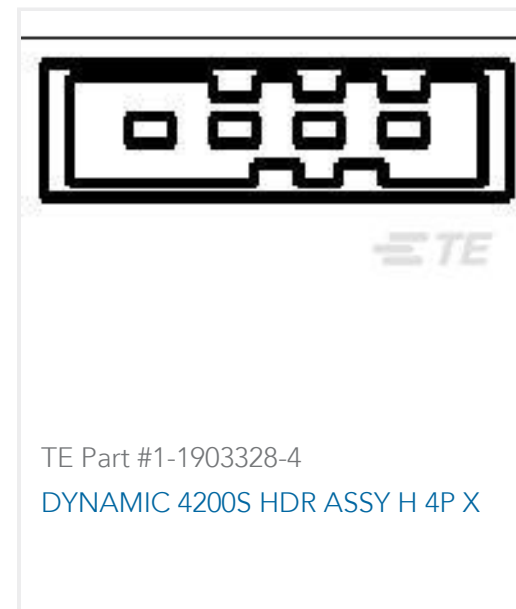
TE Part #TAD14845101-020  
M12D4-MS-MR-PUR TYPE C GREEN-2.0M



TE Part #1276716-1  
EXT-TOOL FOR DYNAMIC D2 CONN



TE Part #234168-1  
EXTRACTION TOOL(DYNAMIC D-3)



TE Part #1-1903328-4  
DYNAMIC 4200S HDR ASSY H 4P X

## Documents

### Product Drawings

#### H6BPR-TGHC-M32

English

### CAD Files

#### 3D PDF

3D

#### Customer View Model

[ENG\\_CVM\\_CVM\\_T1922060132-000\\_A.2d\\_dxf.zip](#)

English

#### Customer View Model

[ENG\\_CVM\\_CVM\\_T1922060132-000\\_A.3d\\_igs.zip](#)

English

#### Customer View Model

[ENG\\_CVM\\_CVM\\_T1922060132-000\\_A.3d\\_stp.zip](#)

English

By downloading the CAD file I accept and agree to the [Terms and Conditions](#) of use.

### Datasheets & Catalog Pages

#### HEAVY DUTY CONNECTORS

English

#### HEAVY DUTY CONNECTORS

Japanese

### Product Specifications

#### Application Specification

English



## Application Specification