

5787642-1 ✓ ACTIVE

AMPLIMITE | AMPLIMITE HDE

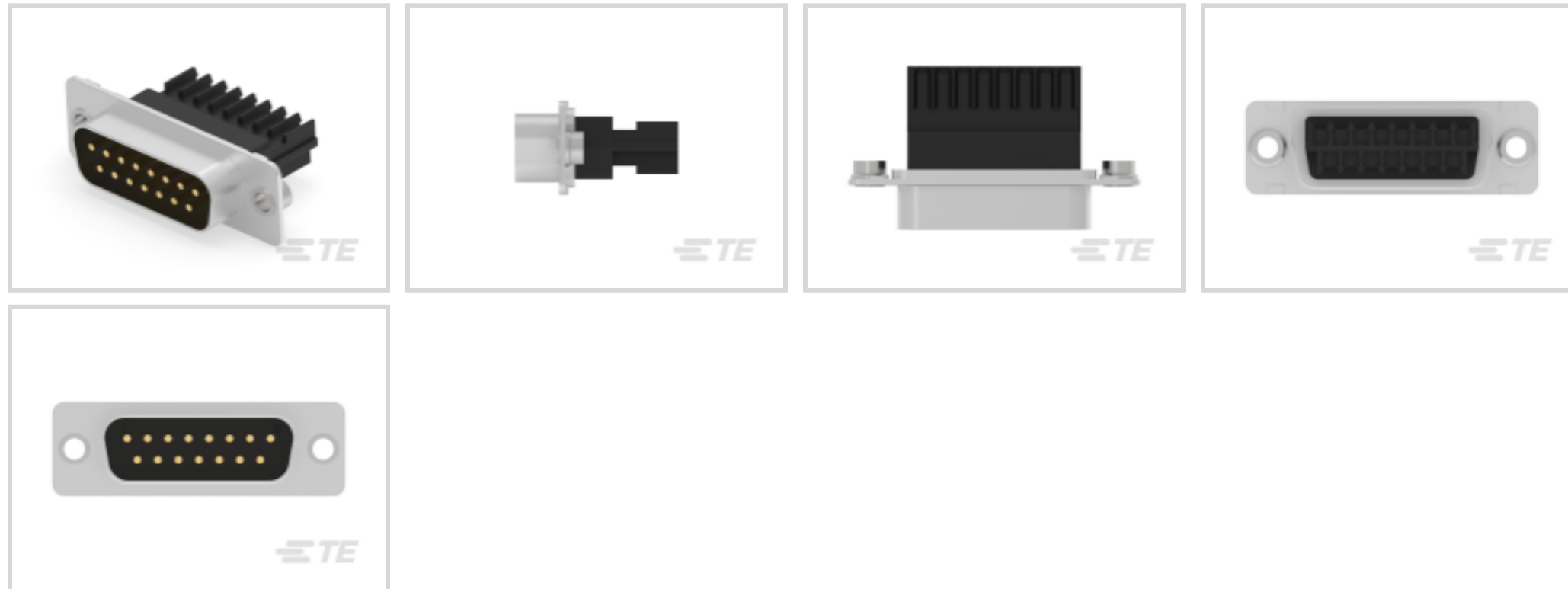
TE Internal #: 5787642-1

Plug, 26 – 22 AWG Solid Wire, Wire-to-Wire, 15 Position, 2.77 mm [.054 in] Centerline, 2 Row, Connector Assembly, AMPLIMITE HDE, IDC D-Sub Connectors

[View on TE.com >](#)



Connectors > D-Shaped Connectors > D-Sub Connectors > IDC D-Sub Connectors > IDC D-Sub: Plug Assembly, Wire to Wire, Signal, 2.77 mm



Connector & Housing Type: **Plug**

Solid Wire Size: **26 – 22 AWG**

Shielded: **No**

Connector System: **Wire-to-Wire**

Number of Positions: **15**

[All IDC D-Sub: Plug Assembly, Wire to Wire, Signal, 2.77 mm \(20\)](#)

## Features

### Industry Standards

UL Flammability Rating	UL 94V-0
------------------------	----------

### Termination Features

Termination Method to Wire & Cable	Insulation Displacement (IDC)
------------------------------------	-------------------------------

### Body Features

Shell Plating Material	Tin
Cable Exit Angle	180°
Insert Material	Thermoplastic

### Packaging Features

Packaging Method	Package
Packaging Quantity	100

### Mechanical Attachment

Mating Retention	With
------------------	------



Mating Retention Type	Clinch Nut, 4-40 UNC
Connector Mounting Type	Cable Mount (Free-Hanging)

### Contact Features

	50 µin
Contact Type	Pin
Wire Contact Termination Area Plating Material Finish	Matte
Contact Options	Installed
Contact Size	Size 20
Contact Current Rating (Max)	2.4 A

### Housing Features

Housing Material	Thermoplastic
Shell Material	Steel
Centerline (Pitch)	2.77 mm [.054 in]

### Operation/Application

Circuit Application	Signal
Shielded	No

### Product Type Features

Shell Material Configuration	Full Metal Shell
Ground Feature Type	Grounding Indents
Connector & Housing Type	Plug
Connector System	Wire-to-Wire
Connector Product Type	Connector Assembly
Connector Shell Size	2
Connector & Contact Terminates To	Wire & Cable

### Dimensions

Solid Wire Size	26 – 22 AWG
Wire Size	26 – 22 AWG

### Configuration Features

Number of Positions	15
Number of Rows	2
Compatible With Wire & Cable Type	Discrete Wire, Round Jacketed Cable

### Usage Conditions



Operating Temperature Range	-55 – 105 °C[-67 – 221 °F]
-----------------------------	----------------------------

**Other**

EU RoHS Compliance	Compliant
EU ELV Compliance	Compliant

**Product Compliance**

[For compliance documentation, visit the product page on TE.com>](#)

EU RoHS Directive 2011/65/EU	Compliant
EU ELV Directive 2000/53/EC	Compliant
China RoHS 2 Directive MIIT Order No 32, 2016	No Restricted Materials Above Threshold
EU REACH Regulation (EC) No. 1907/2006	Current ECHA Candidate List: JUNE 2024 (241) Candidate List Declared Against: JUNE 2024 (241) Does not contain REACH SVHC
Halogen Content	Not Low Halogen - contains Br or Cl > 900 ppm.
Solder Process Capability	Not applicable for solder process capability

**Product Compliance Disclaimer**

This information is provided based on reasonable inquiry of our suppliers and represents our current actual knowledge based on the information they provided. This information is subject to change. The part numbers that TE has identified as EU RoHS compliant have a maximum concentration of 0.1% by weight in homogenous materials for lead, hexavalent chromium, mercury, PBB, PBDE, DBP, BBP, DEHP, DIBP, and 0.01% for cadmium, or qualify for an exemption to these limits as defined in the Annexes of Directive 2011/65/EU (RoHS2). Finished electrical and electronic equipment products will be CE marked as required by Directive 2011/65/EU. Components may not be CE marked. Additionally, the part numbers that TE has identified as EU ELV compliant have a maximum concentration of 0.1% by weight in homogenous materials for lead, hexavalent chromium, and mercury, and 0.01% for cadmium, or qualify for an exemption to these limits as defined in the Annexes of Directive 2000/53/EC (ELV). Regarding the REACH Regulation, the information TE provides on SVHC in articles for this part number is based on the latest European Chemicals Agency (ECHA) 'Guidance on requirements for substances in articles' posted at this URL: <https://echa.europa.eu/guidance-documents/guidance-on-reach>

**Compatible Parts**



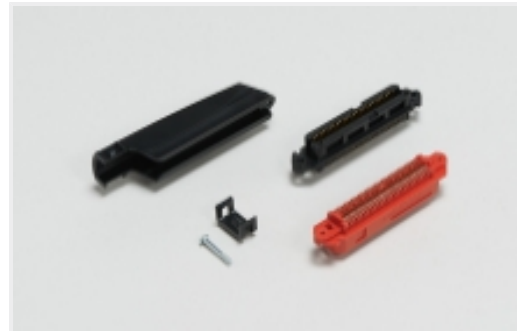
## Also in the Series | **AMPLIMITE HDE**



Connector Contacts(13)



Crimp D-Sub Connectors(1)

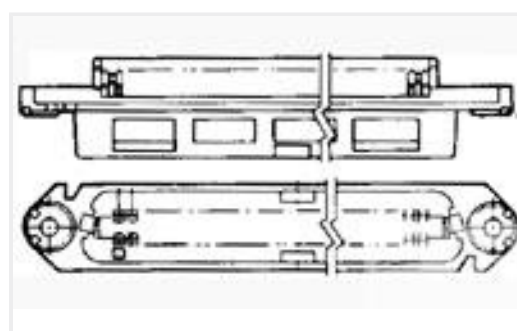
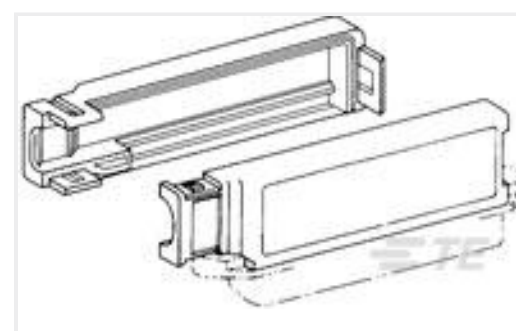
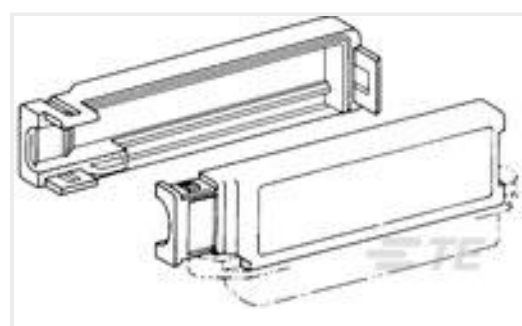


IDC D-Sub Connectors(74)



Insertion &amp; Extraction Tools(2)

## Customers Also Bought

TE Part #3-5229913-1  
KIT, RCPT, 50 POS, B SLOTTE Part #552270-1  
ASSY, PLUG, 14 POS, B SLOTTE Part #552314-1  
ASSY, RCPT, 36 POS, B SLOTTE Part #552011-1  
90 DEG COVER KIT 50 POS BLACKTE Part #3-552414-1  
90 DEG COVER KIT 36 POS BLKTE Part #66394-8  
III+ SKT,30-26,30AU/FL,STRIPTE Part #201910-1  
JACKSCREW KITTE Part #2-552079-1  
COVER KIT 180 DEG 14 POS BLKTE Part #200517-9  
34 POS. SHIELD ASSY.TE Part #202713-2  
SERIES M 75 POS, 2 PC. SHIELD

## Documents

### Product Drawings

**PLUG ASSY,15P,HDE,MS,CN**

English

### CAD Files

Customer View Model

**ENG\_CVM\_CVM\_5787642-1\_A.3d\_igs.zip**



English

**Customer View Model**

[ENG\\_CVM\\_CVM\\_5787642-1\\_A.3d\\_stp.zip](#)

English

**Customer View Model**

[ENG\\_CVM\\_CVM\\_5787642-1\\_A.2d\\_dxf.zip](#)

English

**3D PDF**

3D

**3D PDF**

English

**Customer View Model**

[ENG\\_CVM\\_5787642-1\\_O.2d\\_dxf.zip](#)

English

**Customer View Model**

[ENG\\_CVM\\_5787642-1\\_O.3d\\_igs.zip](#)

English

**Customer View Model**

[ENG\\_CVM\\_5787642-1\\_O.3d\\_stp.zip](#)

English

By downloading the CAD file I accept and agree to the [Terms and Conditions](#) of use.

---

## Product Specifications

[Application Specification](#)

English

---

## Instruction Sheets

[Instruction Sheet \(U.S.\)](#)

English