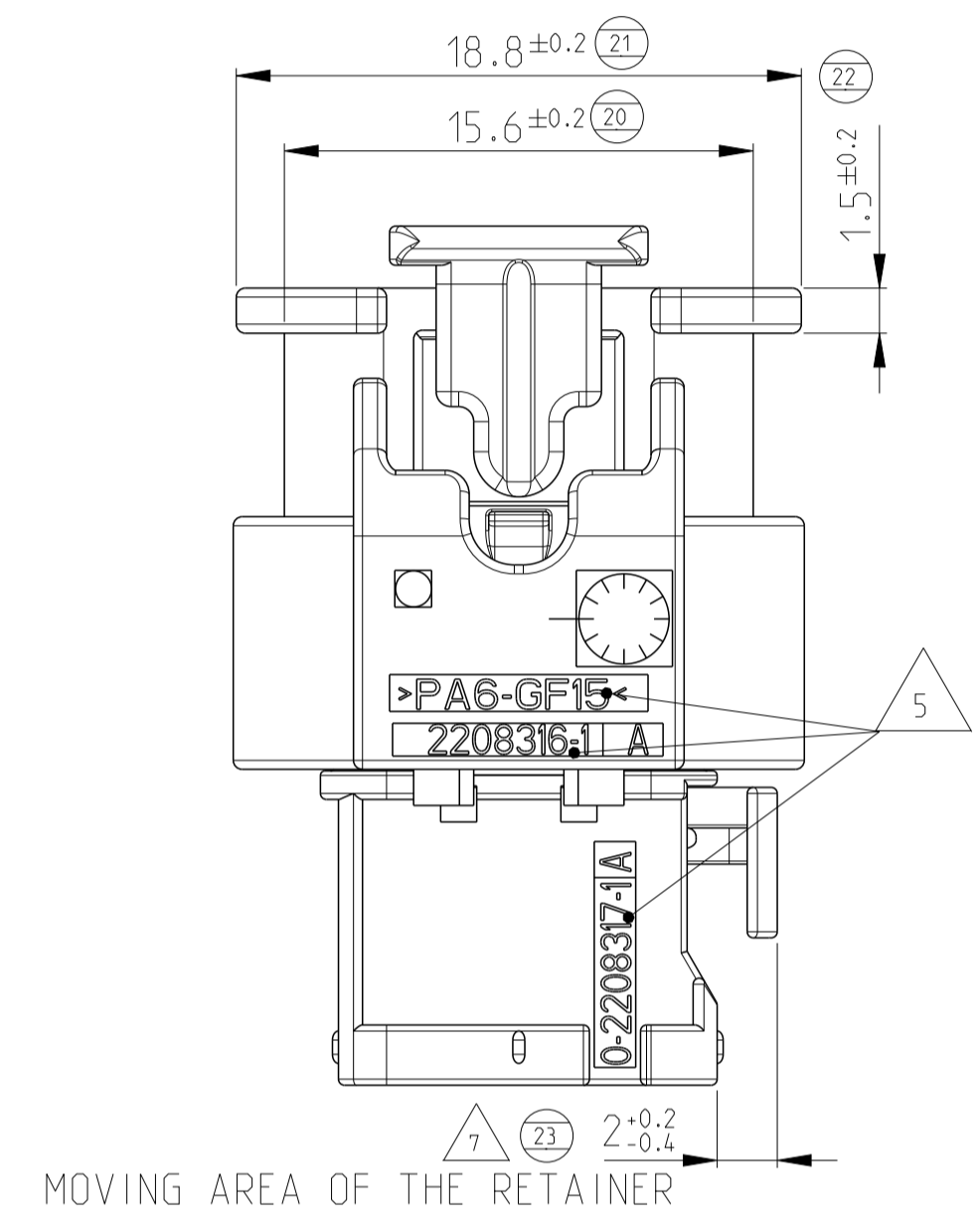
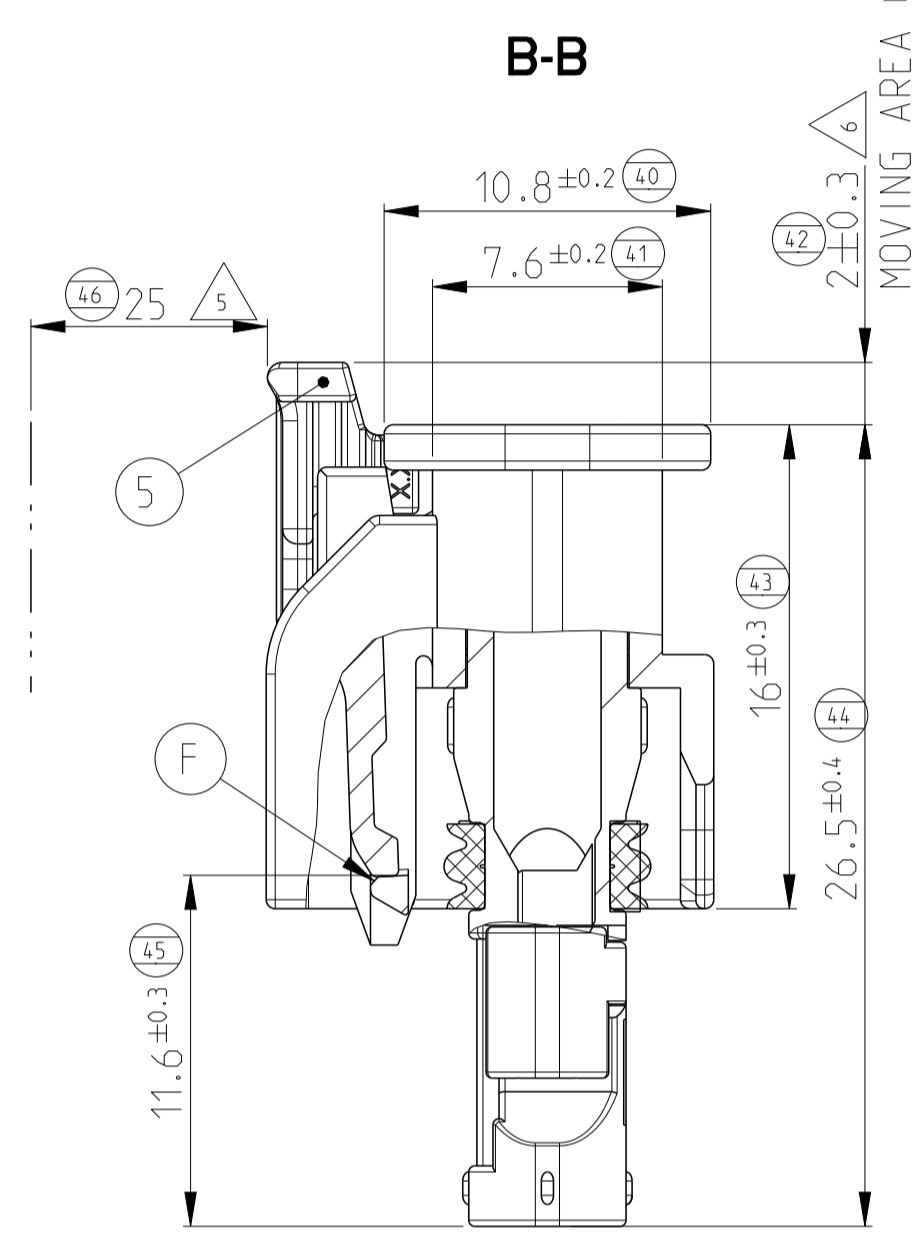
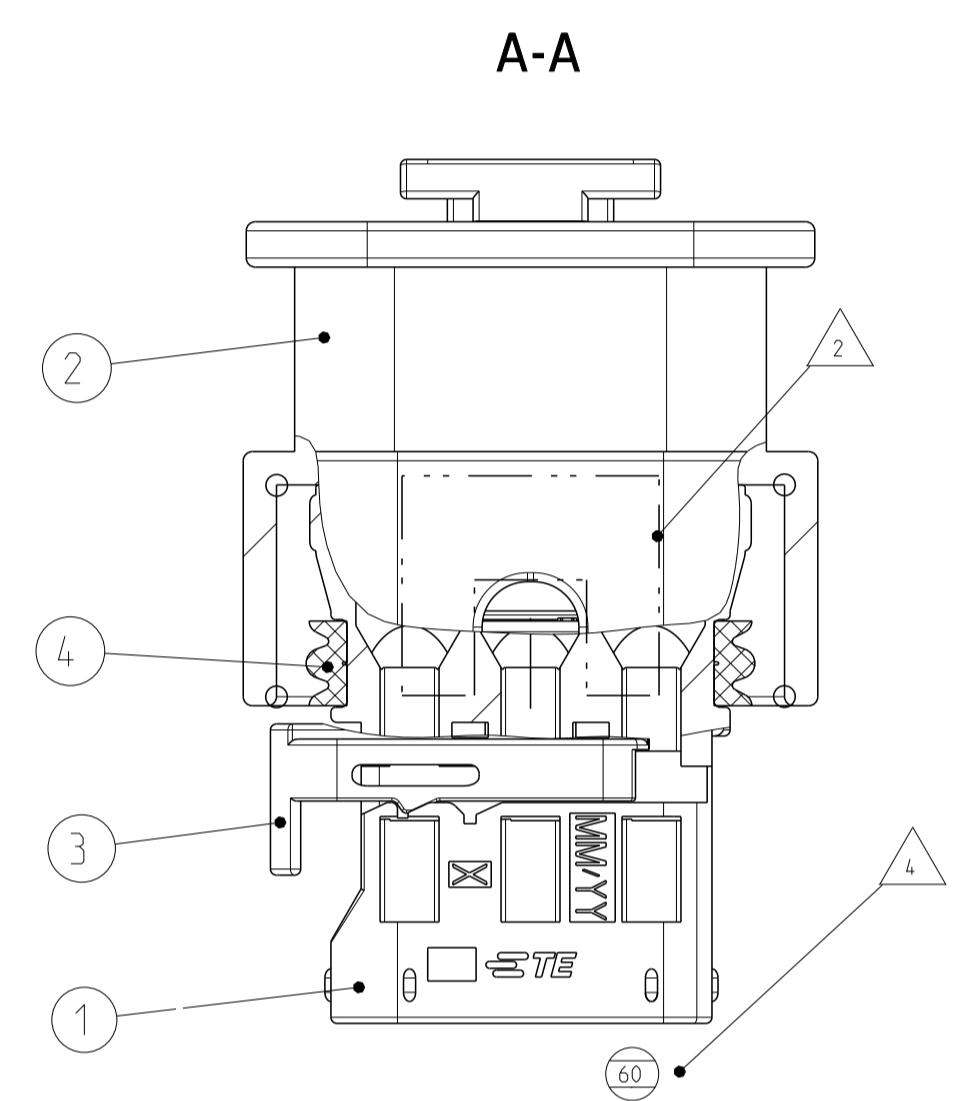


LOC	DIST	REVISIONS			
P	LTN	DESCRIPTION	DATE	OWN	APVD
A7	ECN-23-234676		12OCT23	Q.L	J.Z
A8	ECN-24-266207		15MAY24	Q.L	J.Z
A9	ECN-24-270751		14JUN24	GSK	J.Z
A10	ECN-24-286371		26SEP24	Z.J	J.Z



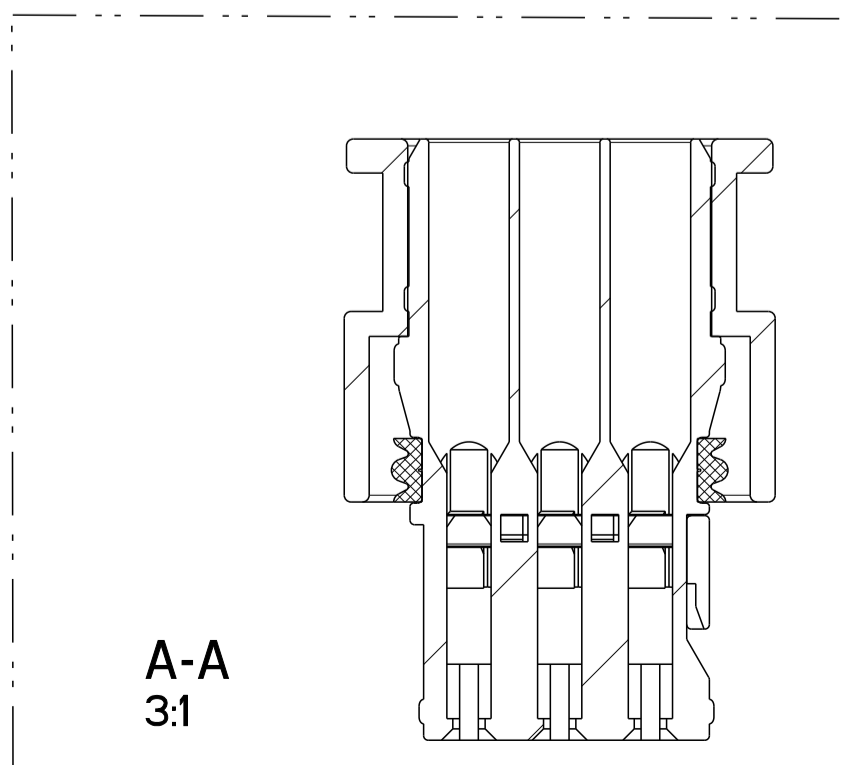
NOTES:

- 1 AREA FOR PRINT
- 2 USABLE CONTACTS MCON 1.2 LL
- 3 MAX. WIRE SIZE RANGE 1.0 mm<sup>2</sup> FLR PERMITTED FOR CAVITY-Ø 3.55MM QUANTITY SEE WIRE HARNESS DRAWING FOR PERMISSIBLE CURRENT CARRYING CAPACITY OF THE SINGLE CONTACT SEE PRODUCT SPECIFICATION NO.108-18782
- 4 SUPPLIER-MARK
- 5 SPACE OF ACTIVITY. PN/REV AND MATERIAL OF PROTECT COVER AND REC HOUSING.
- 6 SUPPLY CONDITION: CPA IN PRELOCKED POSITION
- 7 SUPPLY CONDITION: RETAINER IN PRELOCKED POSITION
- 8 WARPAGE PERMITTED TO MAX. -0.5mm
- 9 TE ORDER-NO.
- 10 ACCORDING TO INTERFACE DRAWING SEE TE-NO. 114-18679-3
- 11 ASSEMBLY LINE SEGMENT IDENTIFICATION, OPTIONAL.
- 12 DATE CODE (DDYY), OPTIONAL.
- 13 PN -1/8 INNER HOUSING WITH PA66-GF30. PN -5/9 INNER HOUSING WITH PBT-GF30. PN -1/-7 ARE THE SAME.

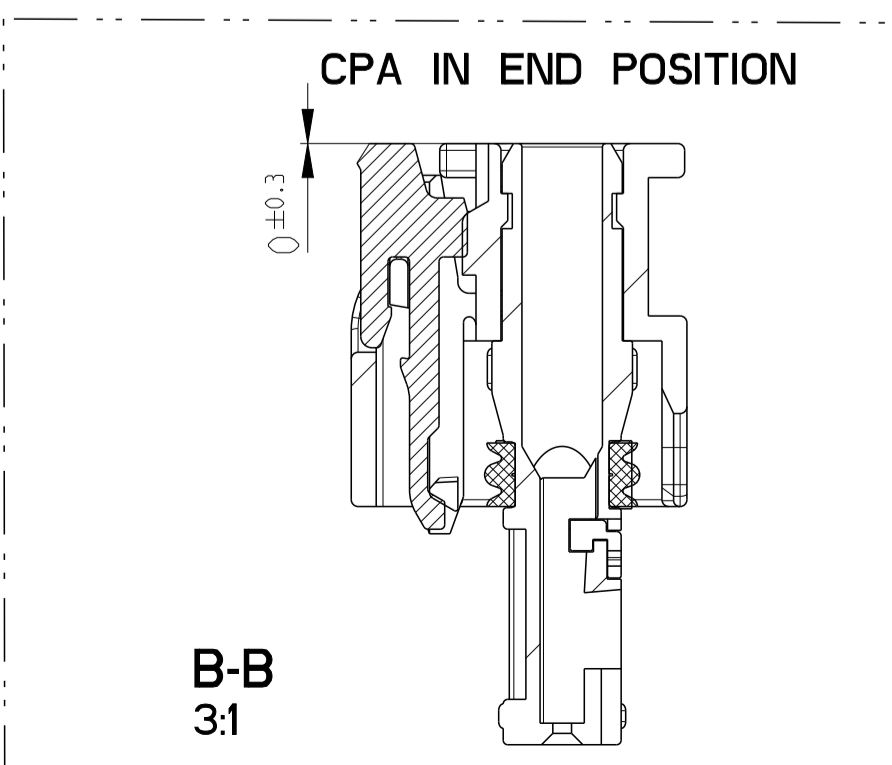
CODING A AS SHOWN

TE-ORDER-NO.	COD	DESCRIPTION	REV	QTY	DESCRIPTION	MATERIAL	SURFACE/COLOUR	ITEM
3-2355507-1 3-2355507-5	C	3pos. MCON 1.2 - LL Connector Sealed	A	1	MCON 1.2 - CPA	PA46-GF15	GRAY SIML. RAL 7037	5
				1	3pos. MCON 1.2 - Seal	MVQ	NATURE	4
				1	3pos. MCON 1.2 - Retainer	PA66-GF15	VIOLETT SIML. RAL 4006	3
				1	3pos. MCON 1.2 - Protection Cover	PA6-GF15	BLACK SIML. RAL 9011	2
				1	3pos. MCON 1.2 - Recepticle Hsg.	PA66-GF30/PBT-GF30	BLACK SIML. RAL 5012	1
2-2355507-8 2-2355507-9	B	3pos. MCON 1.2 - LL Connector Sealed W/O CPA	A	1	3pos. MCON 1.2 - Seal	MVQ	NATURE	4
				1	3pos. MCON 1.2 - Retainer	PA66-GF15	VIOLETT SIML. RAL 4006	3
				1	3pos. MCON 1.2 - Protection Cover	PA6-GF15	BLACK SIML. RAL 9011	2
				1	3pos. MCON 1.2 - Recepticle Hsg.	PA66-GF30/PBT-GF30	NATURE	1
				1	3pos. MCON 1.2 - CPA	PA46-GF15	GRAY SIML. RAL 7037	5
1-2355507-8 1-2355507-9	A	3pos. MCON 1.2 - LL Connector Sealed W/O CPA	A	1	3pos. MCON 1.2 - Seal	MVQ	NATURE	4
				1	3pos. MCON 1.2 - Retainer	PA66-GF15	VIOLETT SIML. RAL 4006	3
				1	3pos. MCON 1.2 - Protection Cover	PA6-GF15	BLACK SIML. RAL 9011	2
				1	3pos. MCON 1.2 - Recepticle Hsg.	PA66-GF30/PBT-GF30	BLACK SIML. RAL 9011	1
				1	MCON 1.2 - CPA	PA46-GF15	GRAY SIML. RAL 7037	5
2-2355507-1 2-2355507-5	B	3pos. MCON 1.2 - LL Connector Sealed	A	1	3pos. MCON 1.2 - Seal	MVQ	NATURE	4
				1	3pos. MCON 1.2 - Retainer	PA66-GF15	VIOLETT SIML. RAL 4006	3
				1	3pos. MCON 1.2 - Protection Cover	PA6-GF15	BLACK SIML. RAL 9011	2
				1	3pos. MCON 1.2 - Recepticle Hsg.	PA66-GF30/PBT-GF30	NATURE	1
				1	MCON 1.2 - CPA	PA46-GF15	GRAY SIML. RAL 7037	5
1-2355507-1 1-2355507-5 1-2355507-7	A	3pos. MCON 1.2 - LL Connector Sealed	A	1	3pos. MCON 1.2 - Seal	MVQ	NATURE	4
				1	3pos. MCON 1.2 - Retainer	PA66-GF15	VIOLETT SIML. RAL 4006	3
				1	3pos. MCON 1.2 - Protection Cover	PA6-GF15	BLACK SIML. RAL 9011	2
				1	3pos. MCON 1.2 - Recepticle Hsg.	PA66-GF30/PBT-GF30	BLACK SIML. RAL 9011	1
				1	MCON 1.2 - CPA	PA46-GF15	GRAY SIML. RAL 7037	5

RETAINER IN END POSITION

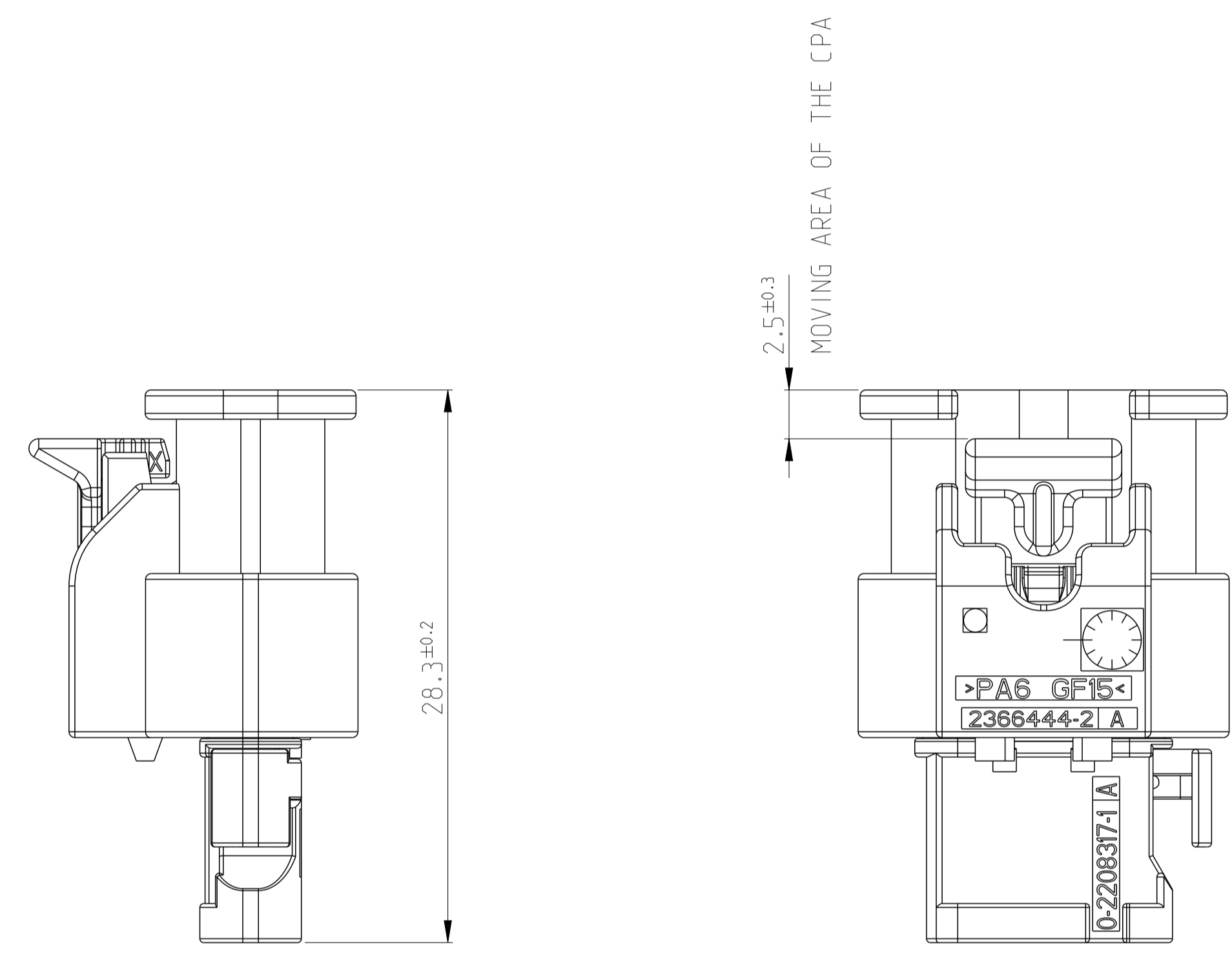
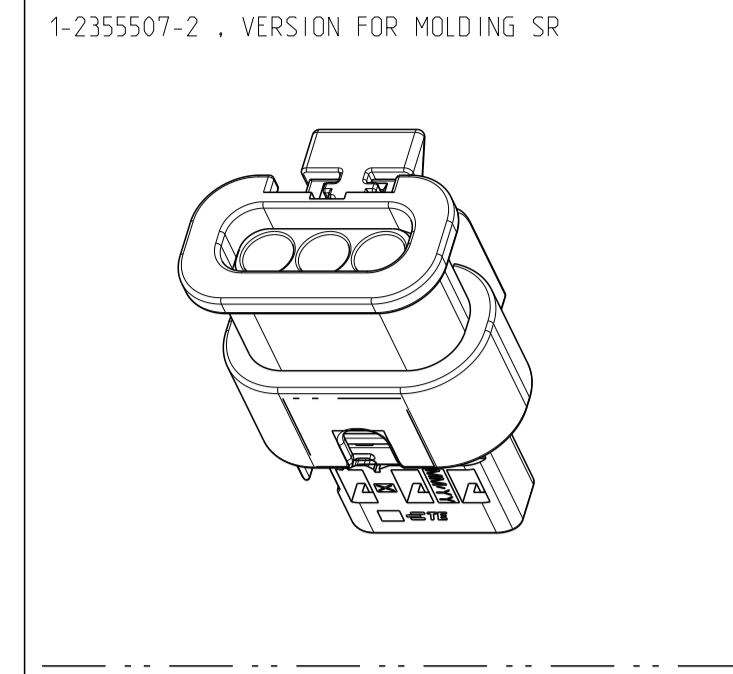


CPA IN END POSITION

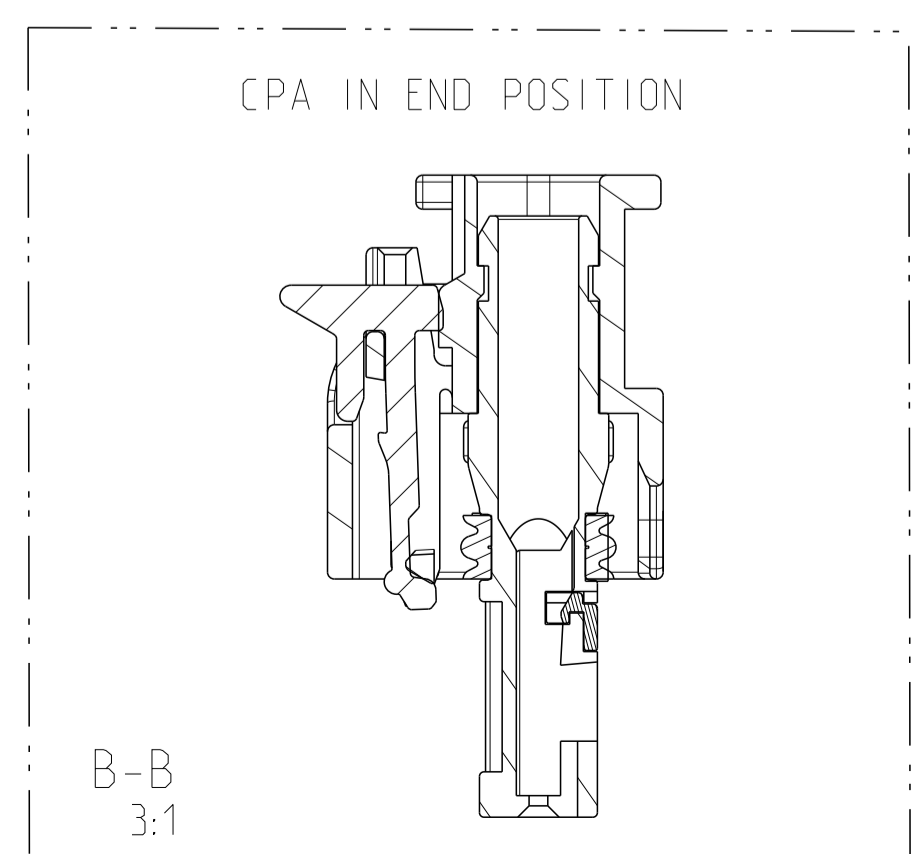


THIS DRAWING IS A CONTROLLED DOCUMENT.		OWN: J.ZE	23APR2019	TE Connectivity
DIMENSIONS: mm		CHK: J.ZONG	23APR2019	
TOLERANCES UNLESS OTHERWISE SPECIFIED:		APVD: LYJIN	23APR2019	NAME: 3pos. MCON 1.2 - LL Connector, Sealed
MATERIAL: -		FINISH: -	PRODUCT SPEC: 108-32646	APPLICATION SPEC: 114-18861
WEIGHT: 3 g		SIZE: A1	CAGE CODE: 00779	DRAWING NO: C=2355507
CUSTOMER DRAWING		SCALE: 5:1	SHEET: 1 OF 2	REV: A10

LOC		DIST		REVISIONS			
P	LTN	DESCRIPTION	DATE	OWN	APVD		
-	-	SEE SHEET 1	-	-	-		



OTHER DIMENSIONS SEE SHEET 1



A10

TE-ORDER-NO.	COD	DESCRIPTION	REV	QTY	DESCRIPTION	MATERIAL	SURFACE/COLOUR	ITEM
1-2355507-2	A	3pos. MCON 1.2 - LL Connector Sealed	A	1	MCON 1.2 - CPA	PBT-GF33	GRAY SIML. RAL 7037	5
				1	3pos. MCON 1.2 - Seal	MVQ	NATURE	4
				1	3pos. MCON 1.2 - Retainer	PA66-GF15	VIOLETT SIML. RAL 4006	3
				1	3pos. MCON 1.2 - Protection Cover	PA6-GF15	BLACK SIML. RAL 9011	2
				1	3pos. MCON 1.2 - Recepticle Hsg.	PA66-GF30/PBT-GF30	BLACK SIML. RAL 9011	1

THIS DRAWING IS A CONTROLLED DOCUMENT.

DIMENSIONS: mm	TOLERANCES UNLESS OTHERWISE SPECIFIED:	OWN: J.ZE	23APR2019	
		CHK: J.ZONG	23APR2019	
MATERIAL: -	FINISH: -	APVD: J.YIN	23APR2019	NAME: 3pos. MCON 1.2 - LL Connector, Sealed
		PRODUCT SPEC: 108-32646	APPLICATION SPEC: 116-18861	SIZE: A1
		WEIGHT: 3 g	CAGE CODE: 00779	DRAWING NO: 2355507
		CUSTOMER DRAWING		RESTRICTED TO: -
		SCALE: 5:1	SHEET: 2 OF 2	REV: A10