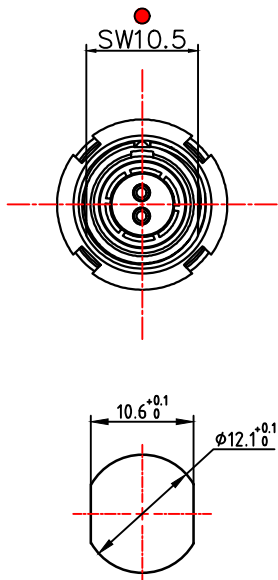
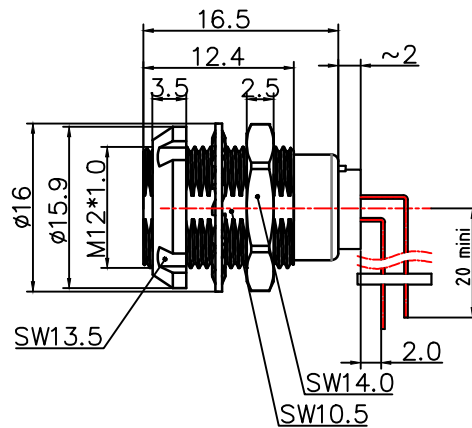


1. 产品尺寸图Product Dimension Drawing

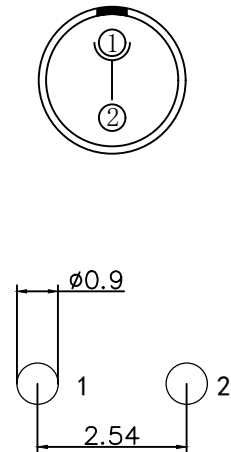
标识点
Identification points



面板开孔尺寸
Panel cut-out size



2芯孔位排列
The 2-core hole position is arranged



PCB开孔尺寸
PCB cut-out size

2. 产品电器参数Product electrical parameters

防护等级 (Ingress protection)	IP50
插拔测试 (Plugging and unplugging test)	<5000次
产品耐温 (The product is temperature resistant)	-55° C / +250° C
盐雾腐蚀 (Salt Spray Corrosion)	>72 hr
测试电压 (kV rms) 针芯-针芯	1.5
测试电压 (kV rms) 针芯-外壳	1.35
额定电流Current rating	12A
导体接触规格 Conductor contact specifications	1.3
最大接触电阻(mΩ)Maximum Contact Resistance (mΩ)	3.0
绝缘电阻(Insulation resistance)	5000MΩ (常态)
屏蔽 (分钟) Shielding (min)	100 g (6 ms)
振动 Vibration	15 g (10Hz-1000Hz)

3. 环境及表面处理产品特性Environmental and surface treatment product characteristics

外壳材料 Housing material	金属件黄铜镀镍镀铬
绝缘体材料 Insulator material	PPS (可选PEEK) PPS (optional PEEK)
触体材料 Contact material	锡青铜镀金Contact material

	东莞市通瑞电子科技有限公司 TongRuiJoin Dongguan Tongrui Electronic Technology Co., Ltd www.cntfre.com	单芯图纸Single-core drawings 单位unit:mm 修改revise:A0 视图view:
	1B系列弯角插座1B series right angle socket	型号Model R.ECG.1B.102.CSV

1: 连接器组装生产所有公差通常为0.1mm,2: 插座直接拧入螺纹孔中, 螺纹 +0.05mm
 1: All tolerances are usually 0.1mm for connector assembly production, 2: The socket is screwed directly into the threaded hole, the thread is +0.05mm