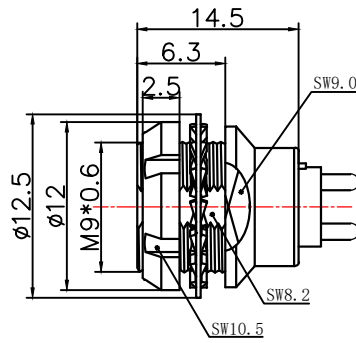
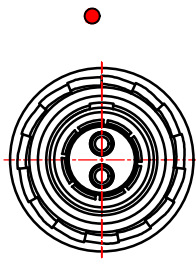
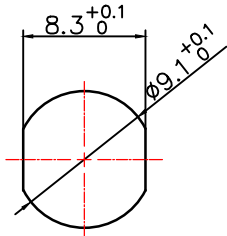
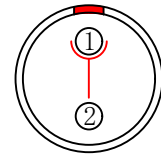


1. 产品尺寸图Product Dimension Drawing

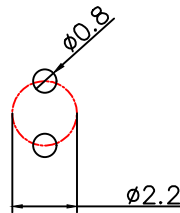
标识点
Identification points



2芯孔位排列
The 2-core hole position is arranged

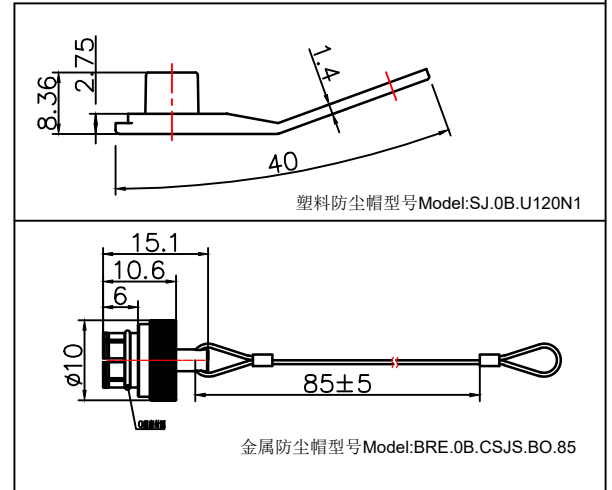


面板开孔尺寸
Panel cut-out size



PCB开孔尺寸
PCB cut-out size

防尘帽需另外购买



2. 产品电器参数Product electrical parameters

防护等级 (Ingress protection)	IP50(头座插合时When the headstand is plugged in)
插拔测试 (Plugging and unplugging test)	<5000次
产品耐温 (The product is temperature resistant)	-55° C / +250° C
盐雾腐蚀 (Salt Spray Corrosion)	>72 hr
测试电压 (kV rms) 针芯-针芯	1.3
测试电压 (kV rms) 针芯-外壳	1.05
额定电流Current rating	10A
湿度 (最大值) Humidity (max)	<=95 (at 60 deg C/140F)
屏蔽 (分钟) Shielding (min)	75 dB(10MHz)
屏蔽 (分钟) Shielding (min)	100 g (6 ms)
振动 Vibration	15 g (10Hz-1000Hz)

3. 环境及表面处理产品特性Environmental and surface treatment product characteristics

外壳材料 Housing material	金属件铜合金镀镍镀铬 (Metal parts: copper alloy nickel plated and chrome plated)
导体材料 Conductor material	锡青铜镀金(Pewter bronze gilding)
绝缘体材料 Insulator material	PPS (可选PEEK) PPS (optional PEEK)

1: 连接器组装生产所有公差通常为0.1mm,2: 插座直接拧入螺纹孔中, 螺纹 +0.05mm
1: All tolerances are usually 0.1mm for connector assembly production, 2: The socket is screwed directly into the threaded hole, the thread is +0.05mm

	东莞市通瑞电子科技有限公司 CN-TRRE CONNECTE Dongguan Tongrui Electronic Technology Co., Ltd www.cntfre.com	单芯图纸Single-core drawings 单位unit:mm 修改revise:A0 视图view:
	0B系列直式插头0B Series Straight Plug	型号Model R.EEG.0B.102.CSN