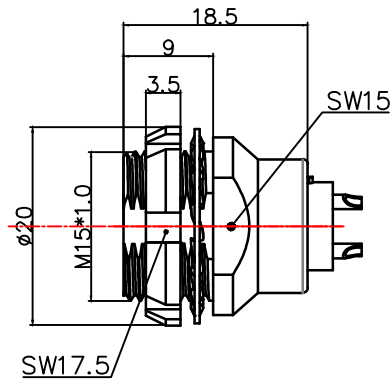
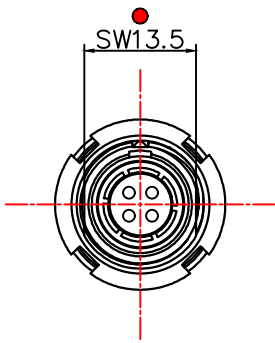
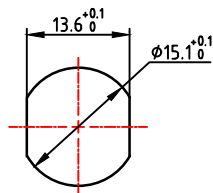
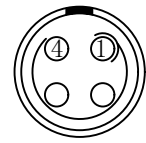


1. 产品尺寸图Product Dimension Drawing

标识点
Identification points



焊接顺序点
Weld sequence points



面板开孔尺寸
Panel cut-out size

2. 产品电器参数Product electrical parameters

防护等级 (Ingress protection)	IP50
插拔测试 (Plugging and unplugging test)	<5000次
产品耐温 (The product is temperature resistant)	-55° C / +250° C
盐雾腐蚀 (Salt Spray Corrosion)	>72 hr
测试电压 (kV rms) 针芯-针芯	1.85
测试电压 (kV rms) 针芯-外壳	1.85
额定电流Current rating	15A
导体接触规格 Conductor contact specifications	1.3
最大接触电阻(mΩ)Maximum Contact Resistance (mΩ)	3.0
绝缘电阻(Insulation resistance)	5000MΩ (常态)
屏蔽 (分钟) Shielding (min)	100 g (6 ms)
振动 Vibration	15 g (10Hz-1000Hz)

3. 环境及表面处理产品特性Environmental and surface treatment product characteristics

外壳材料 Housing material	金属件铜合金镀镍镀铬 (Metal parts: copper alloy nickel plated and chrome plated)
绝缘体材料 Insulator material	PPS (可选PEEK) PPS (optional PEEK)
触体材料 Contact material	铜合金镀金Copper alloy gold-plated

TONGRUIJOIN	东莞市通瑞电子科技有限公司 TongRuiJoin Dongguan Tongrui Electronic Technology Co., Ltd www.cntfre.com	单芯图纸Single-core drawings
	2B后固定插座2B rear fixed socket	单位unit:mm 修改revise:A0 视图view:
1: 连接器组装生产所有公差通常为0.1mm,2: 插座直接拧入螺纹孔中, 螺纹 +0.05mm 1: All tolerances are usually 0.1mm for connector assembly production, 2: The socket is screwed directly into the threaded hole, the thread is +0.05mm		型号Model R.EEG.2B.04.CSL