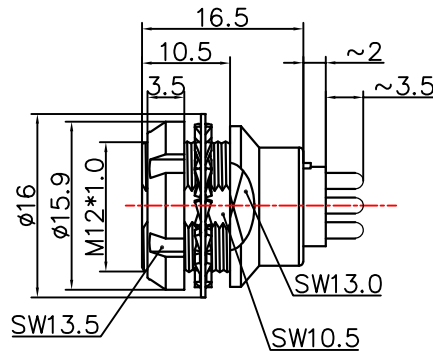
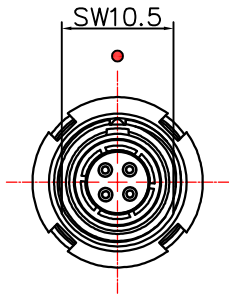
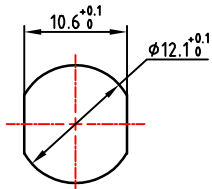
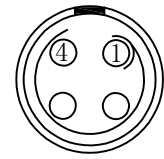


1. 产品尺寸图Product Dimension Drawing

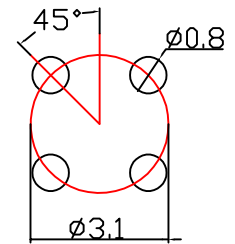
标识点
Identification points



焊接顺序点
Weld sequence points



面板开孔尺寸
Panel cut-out size



PCB开孔尺寸
PCB cut-out size

2. 产品电器参数Product electrical parameters

防护等级 (Ingress protection) IP50(头座插合时When the headstand is plugged in)

插拔测试 (Plugging and unplugging test) <math>< 5000</math>次

产品耐温 (The product is temperature resistant) $-55^\circ\text{C} / +150^\circ\text{C}$

盐雾腐蚀 (Salt Spray Corrosion) $>72\text{ hr}$

测试电压 (kV rms) 针芯-针芯 1.3

测试电压 (kV rms) 针芯-外壳 1.4

额定电流Current rating 8A

导体接触规格 Conductor contact specifications 0.9

最大接触电阻(m Ω)Maximum Contact Resistance (m Ω) 5.0

绝缘电阻(Insulation resistance) 5000M Ω (常态)

屏蔽 (分钟) Shielding (min) 100 g (6 ms)

振动 Vibration 15 g (10Hz-1000Hz)

3. 环境及表面处理产品特性Environmental and surface treatment product characteristics

外壳材料 Housing material 金属件铜合金镀镍镀铬
(Metal parts: copper alloy nickel plated and chrome plated)

导体材料 Conductor material 铜合金镀金 (Copper alloy gold-plated)

绝缘体材料 Insulator material PPS (可选PEEK) PPS (optional PEEK)

	东莞市通瑞电子科技有限公司 TongRuiJoin Dongguan Tongrui Electronic Technology Co., Ltd www.CLtfre.com	单芯图纸Single-core drawings 单位unit:mm 修改revise:A0 视图view:
	1B前固定插座1B 1B front fixed socket	型号Model R.EEG.1B.104.CSN35

1: 连接器组装生产所有公差通常为0.1mm,2: 插座直接拧入螺纹孔中, 螺纹 +0.05mm
1: All tolerances are usually 0.1mm for connector assembly production, 2: The socket is screwed directly into the threaded hole, the thread is +0.05mm