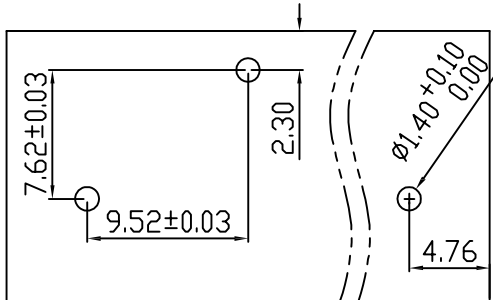
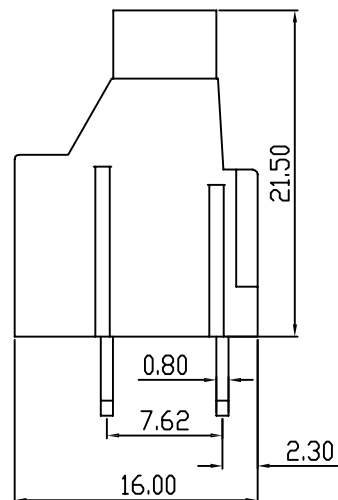
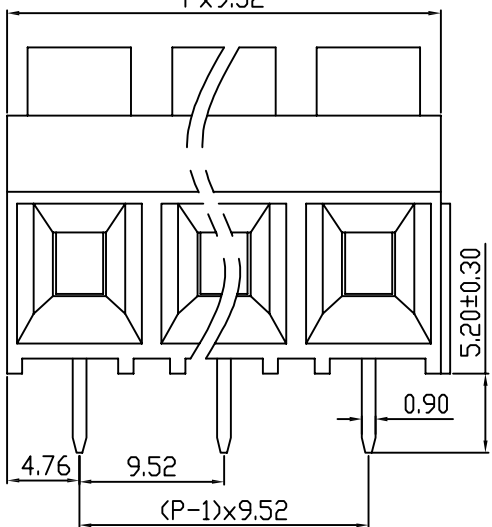
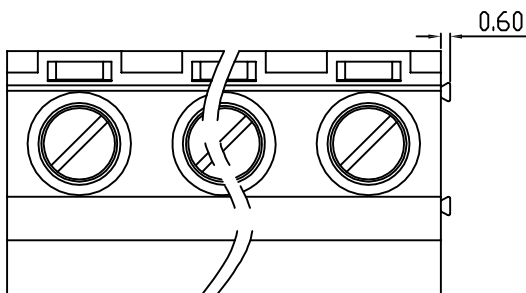
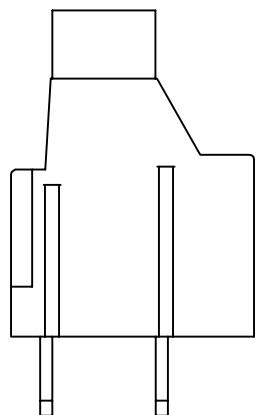


linear dimension(Tolerances Standard GB/T 14486-2008)								—	\square	\perp
variable range	to 6	over 6 to 10	over 10 to 30	over 30 to 60	over 60 to 100	over 100 to 160	over 160 to	to 10	over 10 to 100	over 100 to
tolerance	±0.20	±0.30	±0.50	±0.70	±1.00	±1.30	±1.60	0.10	0.30	0.60



PCB LAYOUT



UL/CUL 技术参数	UL/CUL Technical Data			cRU us		
等级	Use Group	B	C	D		
额定电压	Rated Voltage [V]	300	-	300		
额定电流	Rated Current [A]	30	-	10		
接线范围	Wire Range	22-10				
单/多芯线	Solid/Stranded [AWG]					
耐电压	Withstanding Voltage	2200V/1Min				
IEC 技术参数	IEC Technical Data					
过电压类别	Overvoltage Category	III	III	II		
污染等级	Contamination Class	3	2	2		
额定电压	Rated Voltage [V]	630	1000	1000		
额定电流	Rated Current [A]	41	41	41		
额定冲击电压	Impulse withstand voltagea [KV]	8.0	8.0	8.0		
导线截面积	Conductor cross section	6.0				
硬质/柔性导线	Solid/flexible [mm ²]					
材料	Material					
绝缘材料	Insulation Material	PA66				
阻燃等级	Infammability	UL94V-0				
导体材料	Contacto Material	铜合金 Copper alloy				
导体表面镀层	Contactive Coating	镀锡 Sn Plated				
一般参数	Other Data					
间距	Pitch [mm]	9.52				
极数	Poles [P]	2-24				
剥线长度	Stripping Length [mm]	8-9				
螺丝	Screw/扭矩 Torque(Max) [N.m]	M3/0.5				
工作温度	Operating temperatur [°C]	-40~+105				
引针尺寸	Pin Dimensions [mm]	5.2				
PCB板孔径	PCB Hole Diameter [mm]	1.4				

DB930B — 9.52 — XXP — C — S/P
 (Series No.) (Pitch) (Poles)
 Slottef/Phillips
 (Color) : GN:(Green) , BK:(Black) , BU:(Blue) , RD:(Red) , GY:(Gray)
 OG:(Orange) , WT:(White) , YL:(Yellow) , CR:(Clear)

APPD: JTING Chen 2022.4.6
 CHKD: Duck Mao 2022.4.6
 DRFT: Steven Lu 2022.4.6

DORABO 宁波地博电气有限公司
 Ningbo Dorabo Electric CO., Ltd

NAME: DB930B-9.52-XXP-C-S

TYPE: CUSTOMER_DRAWING

SIZE: A4

SCALE: 1:1

REV: T0-1

SHEET: 1/1