

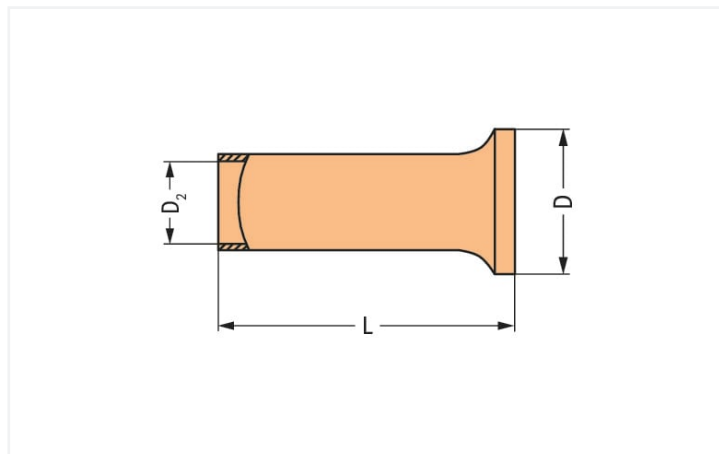
Data Sheet | Item Number: 216-102

Ferrule; Sleeve for 0.75 mm² / AWG 20; uninsulated; electro-tin plated; silver-colored

<https://www.wago.com/216-102>



Color: ■ silver-colored



Dimensions in mm

Connection data

Cross-section metric	0.75 mm ²
Strip length	8 mm / 0.31 inches
Cross-section AWG	18 AWG

Physical data

Total length	8 mm
Wall thickness crimp sleeve	0.15 mm
Diameter crimp sleeve inside	1.2 mm

Mechanical data

Plastic collar	No
----------------	----

Material data

Color	silver-colored
Fire load	0 MJ
Weight	0 g

Commercial data

Product Group	2 (Terminal Block Accessories)
eCl@ss 10.0	27-40-02-01
eCl@ss 9.0	27-40-02-01
ETIM 9.0	EC000005
ETIM 8.0	EC000005
PU (SPU)	5000 (1000) pcs
Packaging type	Box
Country of origin	DE
GTIN	4017332277631
Customs tariff number	85369010000

Environmental Product Compliance

RoHS Compliance Status	Compliant, No Exemption
------------------------	-------------------------

Downloads

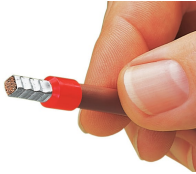
Environmental Product Compliance

Compliance Search	
Environmental Product Compliance 216-102	↓

Documentation

Bid Text			
216-102	11.09.2017	doc 24.00 KB	↓
216-102	19.02.2019	xml 2.77 KB	↓

Installation Notes



A perfect gas-tight crimp – both electrical-ly and mechanically reliable