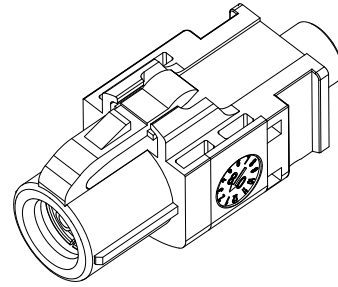
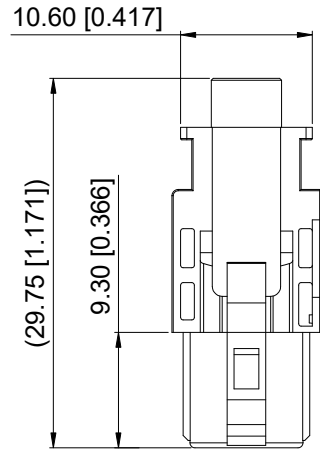
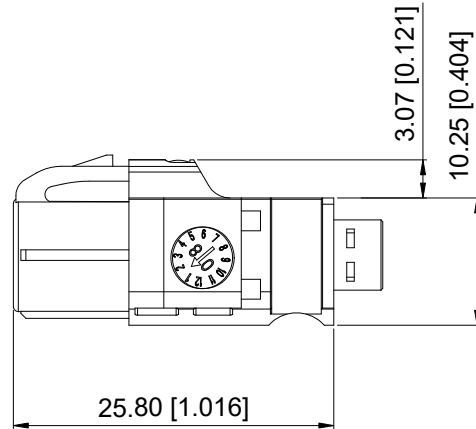
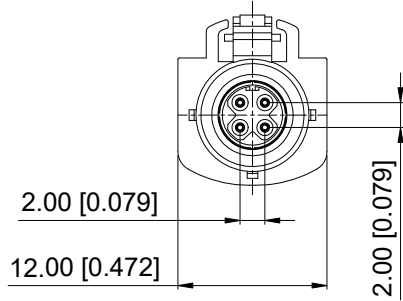


ROHS



3D View



REVISIONS					
REV.	ECN NO.	LOCATION	DESCRIPTION	DATE	DESIGN
A0	N/A		INITIAL RELEASE	2024.08.01	

Specifications(规格):

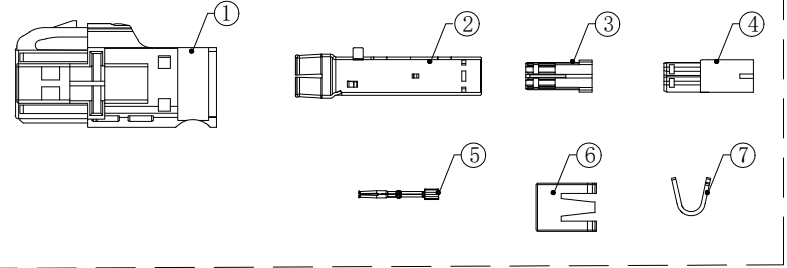
- 1.Impedance(特性阻抗) : 100Ω;
- 2.Frequency (工作频率) : DC~2GHz;
- 3.Return Loss (回波损耗) : ≥ 20dB @1GHz;
- 4.Insulation resistance(绝缘阻抗) : ≥100MΩ;
- 5.Dielectric withstand voltage (介质耐电压) : 250V AC;
- 6.Mating cycles (耐久性) : ≥25 cycles;
- 7.Engagement force(啮合力) : ≤ 30N;
- 8.Retention force latch(保持力) : ≥110N;
- 9.Temperature range(使用温度) : -40℃~+105℃;

PART NO.:

XH4PLF1S5-NL06-X

Code: A~Z

BOM List:



7	Outer Ferrule	Copper Alloy	Ni PLATED	1 PC	2KPCS/R
6	Secondary Lock-2	PA66		1 PC	
5	Center Conductor	Copper Alloy	Gold PLATED	4 PCS	5KPCS/R
4	Dielectric-2	PA66		1 PC	
3	Dielectric-1	PA66		1 PC	
2	Outer Conductor	Copper Alloy	Ni PLATED	1 PC	
1	Housing	PBT		1 PC	
NO.	SPEC.	MATERIAL	FINISH (Contact)	Q'TY	Note
		www.helloxkb.com	www.helloxkb.cn	www.xk-dg.cn	

ANGLAR	±5°
X.	±0.50
X.x	±0.30
X.xx	±0.20
X.xxx	±0.10
UNSPECIFIED TOLERANCES	



DESIGN	希文	VIEW:	MODEL TYPE: HSD4P Female Connector
CHECKED		UNIT: mm/in	PART NO.: XH4PLF1S5-NL06-X
APPROVED		SIZE: A4	DWG NO.: X-XH4PLF1S5-NL06-X
XKB INDUSTRIAL PRECISION CO.,LIMITED			SCALE: N/A
			PAGE: 1/2
			REVISION: A0

1

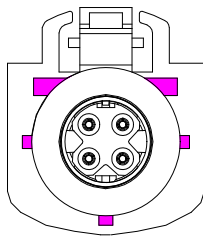
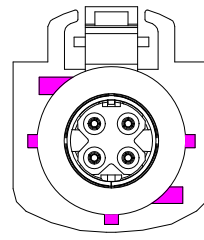
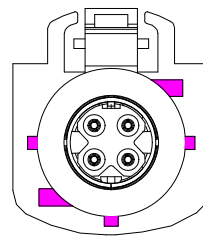
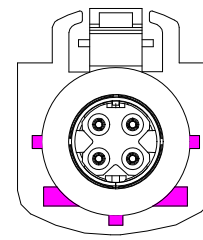
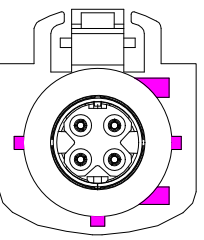
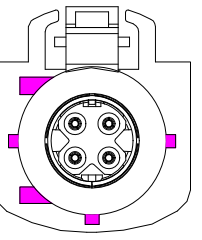
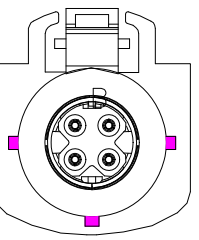
2

3

4

REVISIONS					
REV.	ECN NO.	LOCATION	DESCRIPTION	DATE	DESIGN
A0	N/A		INITIAL RELEASE	2024.08.01	

Code List:

Colde							
	A	B	C	D	E	F	Z
Color/RAL-No.	Black/9005	White/9001	Blue/5005	Bordeaux/4004	Green/6002	Brown/8011	Water Blue/5021
PART NO.	XH4PLF1S5-NL06-A	XH4PLF1S5-NL06-B	XH4PLF1S5-NL06-C	XH4PLF1S5-NL06-D	XH4PLF1S5-NL06-E	XH4PLF1S5-NL06-F	XH4PLF1S5-NL06-Z

ANGULAR	±5°
X.	±0.40
X.x	±0.30
X.xx	±0.20
X.xxx	±0.15
UNSPECIFIED TOLERANCES	



DESIGN
CHECKED
APPROVED

希文

VIEW: 

UNIT: mm/in

SIZE: A4

MODEL TYPE:
HSD 4P Female ConnectorPART NO.:
XH4PLF1S5-NL06-XDWG NO.:
X-XH4PLF1S5-NL06-X

SCALE	PAGE	REVISION
N/A	2/2	A0

NOTE: ALL RIGHTS RESERVED,BANNED COPY!

www.helloxkb.com

www.helloxkb.cn

www.xk-dg.cn

XKB INDUSTRIAL PRECISION CO.,LIMITED

1

2

3

4