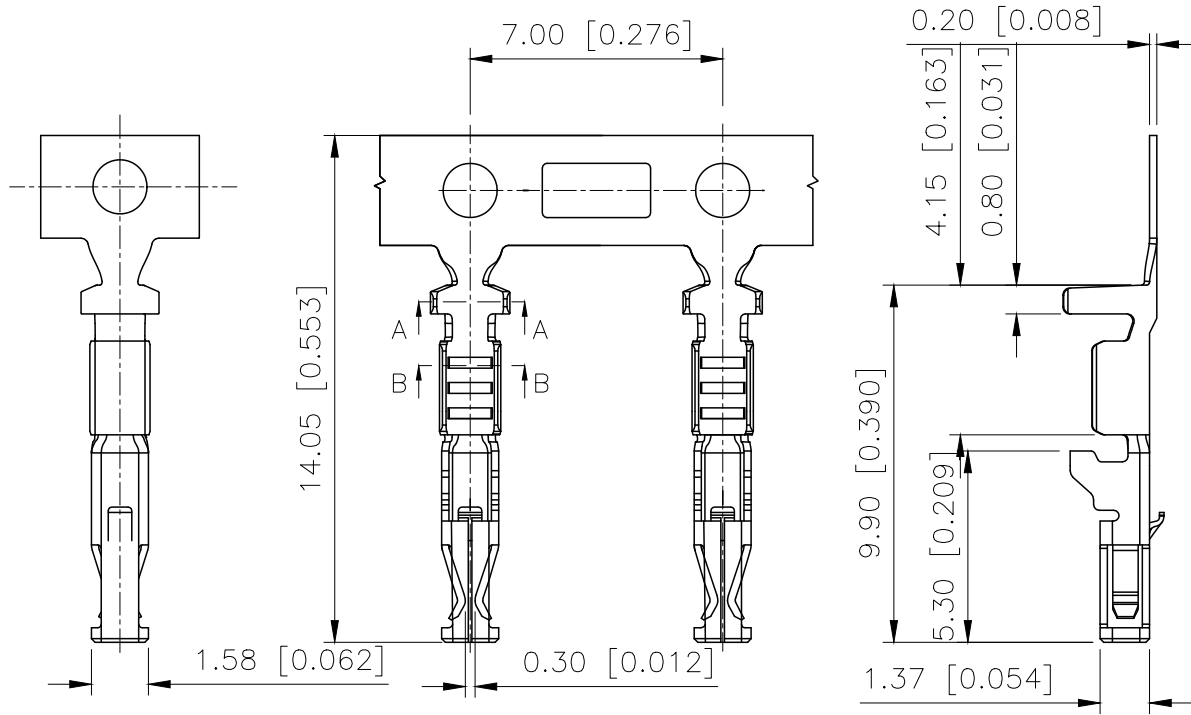


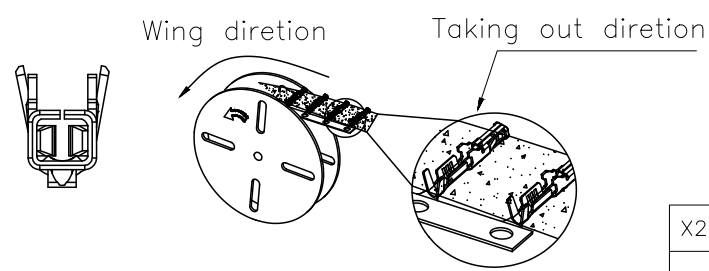
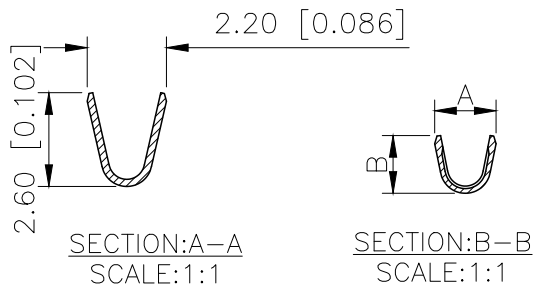
REVISIONS					
REV.	ECN NO.	LOCATION	DESCRIPTION	DATE	DESIGN
A0	N/A		INITIAL RELEASE	/	/
A1	N/A		系列号变更, 图面升级整理图面	2024.11.24	阿树



Specification:
 Volatage Rating:250V AC/DC
 Current Rating :3A AC/DC
 Withstaning Voltage:800V AC/Minute
 Temperature Range:-40'~+125'
 Insulation Resistance:≥1000MΩ
 Contact Resistance:≤10MΩ

PART NO.:
X2000 I F-X X XX-X
 ① ② ③ ④ ⑤ ⑥ ⑦

- ①Series Number.
- ②Category: T-terminal
- ③Welding Board Angle:F-Female Terminal
- ④Material:P-Phosphor Bronze
H-High Conductivity Copper
- ⑤Plating Code:SN:40~120u"(1~3um)Ni
80~200u"(2~5um)Tin
SN1:40~120u"(1~3um)Tin
- ⑥Plating Process:S-Stamping before Plating
P-Stamping after Plating
- ⑦Barrel type:H-High Feet; L-Low Feet



PART NO	Wire Range	Insulation O.D	DIM A	DIM B	Suitable XKB Housing
X2000TF-XXXX-X	Phosphor Bronze	X2000HM	X2000W		
X2000TF-XXXX-H	AWG#22-20 (0.35~0.5mm ²)	∅1.6mm Max	1.80	1.70	X2000HM
X2000TF-XXXX-L	AWG#24-22 (0.22~0.35mm ²)		1.70	1.60	

AuGLAR	±5°
X.	±0.40
X.x	±0.30
X.xx	±0.20
X.xxx	±0.15
UNSPECIFIED TOLERAuCES	



DESIGN	阿树	VIEW:	
CHECKED		UNIT:	mm/in
APPROVED		SIZE:	A4

MODEL TYPE:	2.0mm Automobile connector		
PART NO.:	X2000TF-XXXX-X		
DWG NO.:			