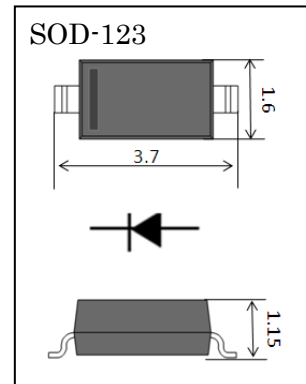


DATA SHEET

1N4148W & BAV16W

- ◇ Fast switching devices
- ◇ **SOD123** Micro SMD package
- ◇ RoHS compliant / Green EMC
- ◇ Matte Tin (Sn) Lead finish
- ◇ Cathode Band / Device marking
- ◇ Surface Mount Package Ideally Suited for Automatic Insertion
- ◇ For General Purpose Switching Applications
- ◇ High Conductance

Device Marking Code	
1N4148W	T4 or T4 •
BAV16W	T6 or T6 •



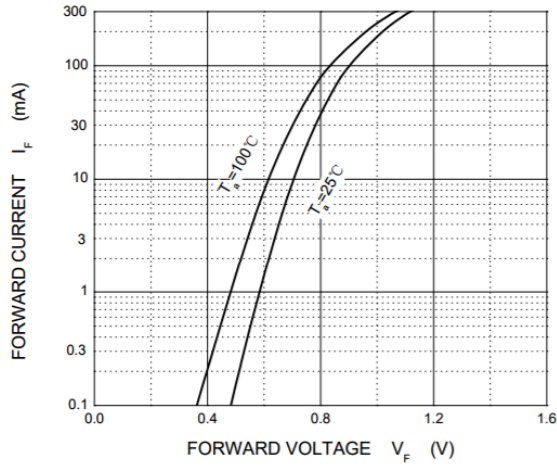
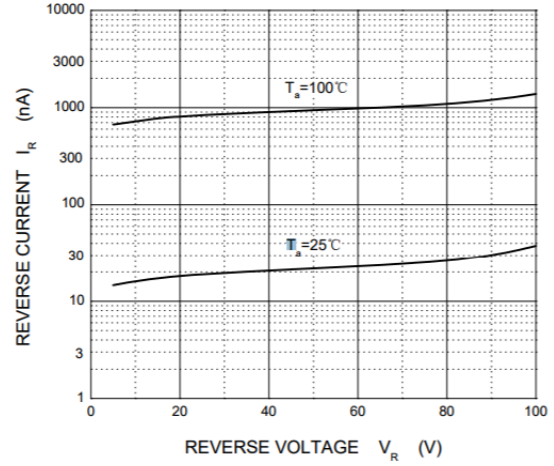
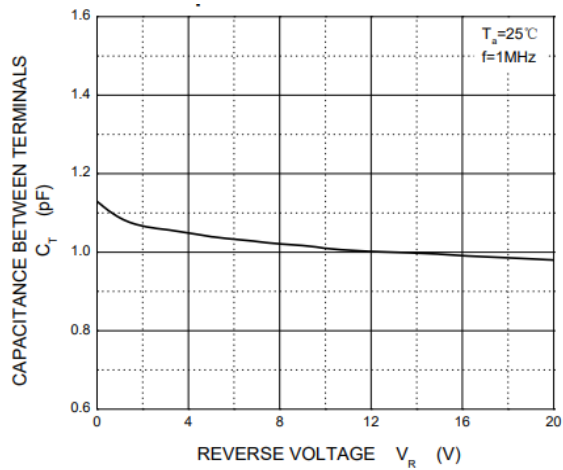
Maximum Ratings (Ta = 25 °C)

Symbol	Parameter	Value	Units
V_{RM}	Non-Repetitive Peak Reverse Voltage	100	V
V_{RRM}	Repetitive Peak Reverse Voltage	100	V
$V_{R(RMS)}$	RMS Reverse Voltage	75	V
I_{FM}	Forward Continuous Current	300	mA
I_O	Average Rectified Output Current	150	mA
I_{FSM}	Non-Repetitive Peak Forward Surge Current (@t=1.0us)	2.0	A
P_D	Power Dissipation	350	mW
T_J	Junction Temperature	150	°C
$R_{\theta JA}$	Thermal Resistance from Junction to Ambient*	357	°C/W
T_{STG}	Storage Temperature	-55 to +150	°C

*:Device mounted on 1"x1" FR4 PCB

Electrical Characteristics (Ta = 25 °C)

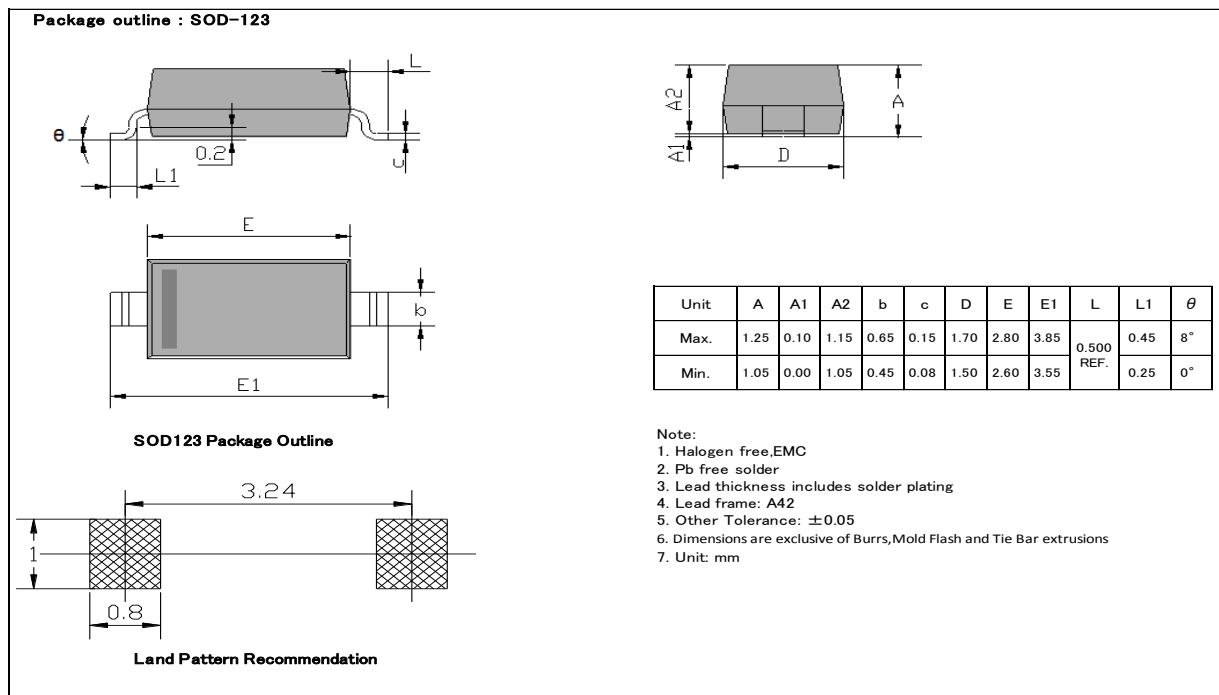
Symbol	Parameter	Conditions	Min	Max	Units
V_F	Forward Voltage	$I_F = 1\text{mA}$		0.715	V
		$I_F = 10\text{mA}$		0.855	
		$I_F = 50\text{mA}$		1.0	
		$I_F = 150\text{mA}$		1.25	
I_R	Reverse current	$V_R = 75\text{V}$ (25°C)		1	μA
		$V_R = 20\text{V}$ (25°C)		25	nA
		$V_R = 75\text{V}$ (150°C)		50	μA
C_T	Capacitance	$V_R = 0\text{V}$, $f = 1\text{MHz}$		2	pF
t_{rr}	Reverse Recovery Time	$I_F = I_R = 10\text{mA}$, $I_{RR} = 1\text{mA}$, $R_L = 100\ \Omega$		4	ns

Characteristics Curves

 Forward current(I_F) vs Forward voltage(V_F)

 Reverse current(I_R) vs Reverse voltage(V_R)


Capacitance Characteristics

Ordering Information

Device	Package	Shipping	Tape wide	Emboss pitch	Tape specification	Notes
1N4148W & BAV16W	SOD123	Tape & Reel 3000pcs /7" Reel	8 mm	4 mm	Conductive	

Package Dimensions

NOTICE

POPPULA'S PRODUCTS ARE NOT AUTHORIZED FOR USE AS COMPONENTS IN ANY LIFE SUPPORT DEVICES OR SYSTEMS.

POPPULA reserve the right to make modifications, enhancements, improvements, corrections or other changes without further notice to any product herein. POPPULA does not assume any liability arising out of the application or use of any product described herein.