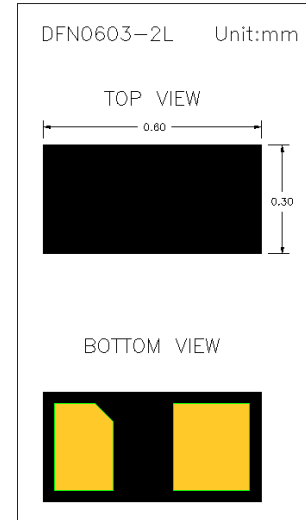
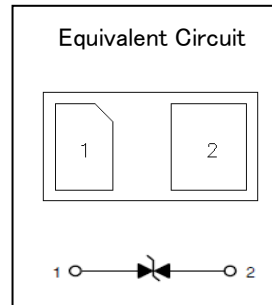


DATA SHEET (Preliminary)

ESDB5.0AD3

- ◇Bi-Directional Transient Voltage Suppressor
- ◇Low Leakage
- ◇Response Time is Typically < 1 ns
- ◇IEC61000-4-2 Level 4 ESD Protection
- ◇ROHS Compliant
- ◇UL-94 V-0 / Green EMC

Device Marking Code	
ESDB5.0AD3	



Maximum Ratings (Ta = 25 °C)

Symbol	Parameter	Value	Units
V _{ESD-Air}	ESD Voltage IEC61000-4-2 Air	±25	kV
V _{ESD-Contact}	ESD Voltage IEC61000-4-2 Contact	±20	kV
PD	Total Power Dissipation on FR-5 Board	200	mW
I _{pp}	Peak Pulse Current (8/20 μs)	5.5	A
P _{PK}	Peak Pulse Power (8/20 μs)	55	W
T _J	Junction Temperature	-55 to 150	°C
T _{STG}	Storage Temperature	-55 to 150	°C
T _L	Lead Solder Temperature - Maximum (10 Second Duration)	260	°C

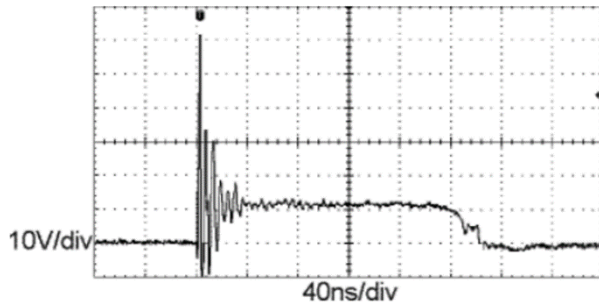
Electrical Characteristics (Ta = 25 °C Unless Otherwise Noted)

Symbol	Parameter	Conditions	Min	Typ	Max	Units
V _{RWM}	Reverse Working Peak Voltage				5.0	V
V _{BR}	Reverse Breakdown Voltage	I _T = 1mA	5.6		8.5	V
I _R	Reverse Current	V _{RWM} = 5V			1.0	μA
V _c	Clamping Voltage	I _{pp} = 5.5A			12.5	V
C	Capacitance	V _R = 0V, f = 1MHz			15	pF

瞬变电压抑制二极管

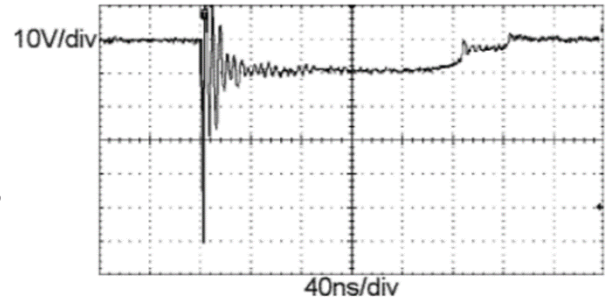
POPPULA SEMICONDUCTOR 宝浦莱半导体

Typical Characteristics



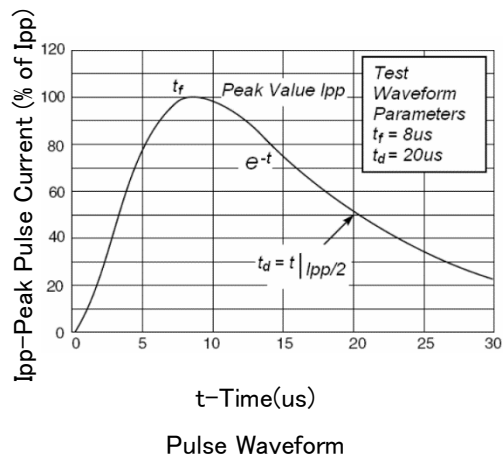
ESD clamping

(+8kV contact discharge per IEC61000-4-2)



ESD clamping

(-8kV contact discharge per IEC61000-4-2)



瞬变电压抑制二极管

POPPULA SEMICONDUCTOR 宝浦莱半导体

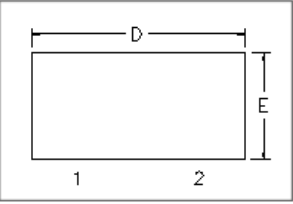
Ordering Information

Device	Package	Shipping	Tape wide	Emboss pitch	Tape specification	Notes
ESDB5.0AD3	DFN0603-2L	Tape & Reel 15000pcs /7" Reel	8mm	4mm	Conductive	

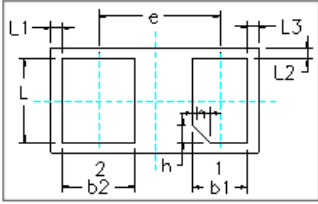
Package Dimensions

Package outline : DFN0603-2L-1

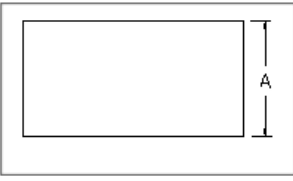
Top view



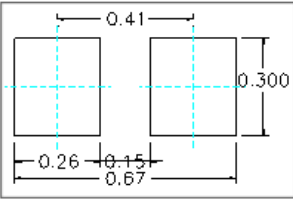
Bottom view



Side view



Soldering Pattern



SYMBOL	MILLIMETER		
	MIN	NOM	MAX
A	0.28	0.30	0.32
b1	0.13	0.18	0.23
b2	0.14	0.19	0.24
D	0.55	0.60	0.65
e	0.350BSC		
L1	0.030BSC		
L2	0.025BSC		
L3	0.035BSC		
E	0.25	0.30	0.35
L	0.20	0.25	0.30
h	0.00	0.05	0.10

Notice:

1. Lead no need to do plating
2. Other Tolerance: ±0.05
3. Dimensions are exclusive of Burrs, Mold Flash and Tie Bar extrusions
4. Unit: mm

NOTICE

POPPULA'S PRODUCTS ARE NOT AUTHORIZED FOR USE AS COMPONENTS IN ANY LIFE SUPPORT DEVICES OR SYSTEMS

POPPULA reserve the right to make modifications, enhancements, improvements, corrections or other changes without further notice to any product herein. POPPULA does not assume any liability arising out of the application or use of any product described herein.