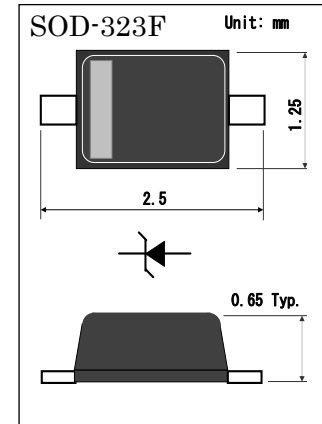


**DATA SHEET**
**1N4148WS, 1N4448WS, 1N914BWS**

- ◇ General purpose diodes
- ◇ Fast switching devices
- ◇ SOD323 Thin SMD package
- ◇ RoHS compliant / Green EMC
- ◇ Matte Tin (Sn) Lead finish
- ◇ Cathode Band / Device marking

Device Marking Code	
<b>1N4148WS</b>	<b>T4</b>
<b>1N4448WS</b>	<b>S2</b>
<b>1N914BWS</b>	<b>S3</b>


**Absolute Maximum Ratings (Ta = 25 °C)**

Symbol	Parameter	Value	Units
$V_{RSM}$	Non-Repetitive Peak Reverse Voltage	100	V
$V_{RRM}$	Repetitive Peak Reverse Voltage	75	V
$I_{FRM}$	Repetitive Peak Forward Current	300	mA
$I_{FSM}$	Non-Repetitive Peak Forward Current *1	2	A
$I_o$	Continuous Forward Current	150	mA
$P_D$	Power Dissipation	200	mW
$T_J$	Junction Temperature	150	°C
$T_{STG}$	Storage Temperature	-55 to +150	°C

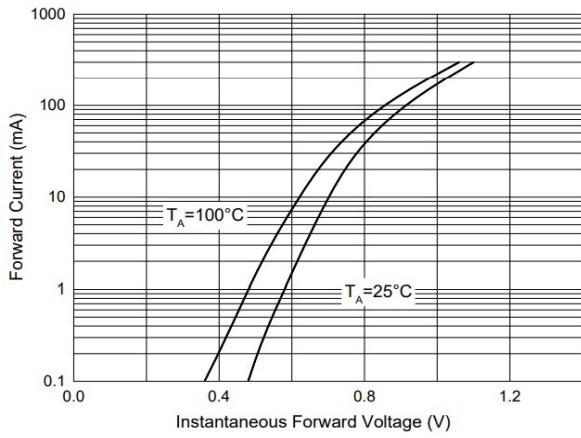
\*1 Pulse width = 1  $\mu$  s

**Electrical Characteristics (Ta = 25 °C)**

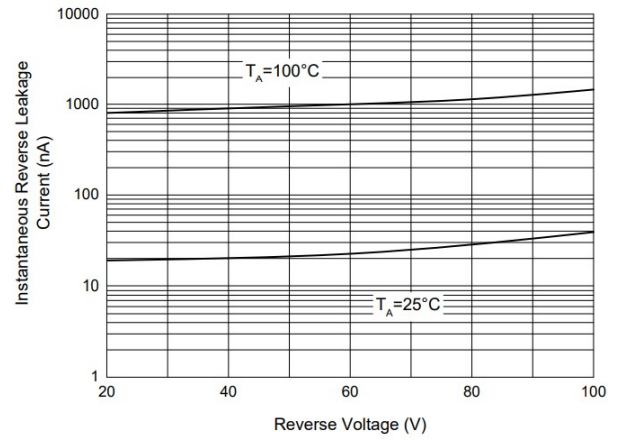
Symbol	Parameter	Conditions	Min	Max	Units
$BV_R$	Breakdown Voltage	$I_R = 100 \mu A$	100		V
		$I_R = 5 \mu A$	75		V
$I_R$	Reverse Current	$V_R = 20V$		25	nA
		$V_R = 75V$		5	$\mu A$
$V_F$	Forward Voltage	$I_F = 5mA$ *2	0.62	0.72	V
		$I_F = 10mA$		1	V
		$I_F = 100mA$ *2		1	V
$C$	Capacitance	$V_R = 0V, f = 1MHz$		4	pF
$T_{RR}$	Reverse Recovery Time	$I_F = 10mA, V_R = 6V$ $I_{RR} = 1mA, R_L = 100 \Omega$		4	ns

\*2 Excluded 1N4148WS

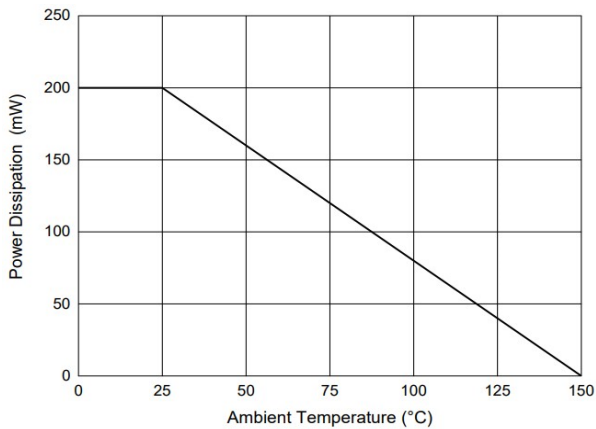
**Typical Characteristics**



Typical Instantaneous Forward Characteristics



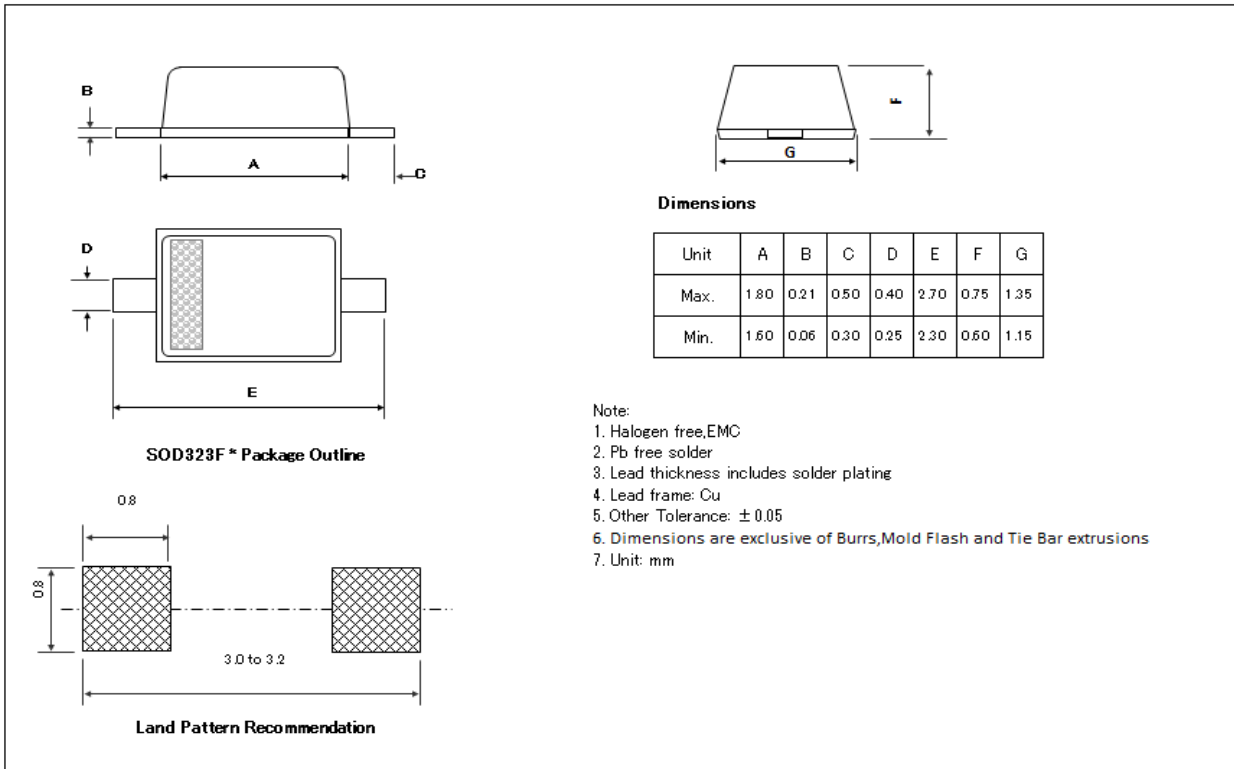
Typical Reverse Leakage Characteristics



Power Derating Curve

**Ordering Information**

Device	Package	Shipping	Tape wide	Emboss pitch	Tape specification	Notes
1N4148WS etc.	SOD323F	Tape & Reel 3000pcs /7" Reel	8 mm	4 mm	Conductive	

**Package Dimensions**

**NOTICE**

POPPULA'S PRODUCTS ARE NOT AUTHORIZED FOR USE AS COMPONENTS IN ANY LIFE SUPPORT DEVICES OR SYSTEMS.

POPPULA reserve the right to make modifications, enhancements improvements corrections or other changes without further notice to any product herein. POPPULA does not assume any liability arising out of the application or use of any product described herein.