

承认书

SPECIFICATION FOR APPROVAL

Rev. A

FILE NO. AS-CT/PJ-12H-EP

客户名称

CUSTOMER NAME.

客户料号

CUSTOMER PART NO.:

型号

Model Type:

COMBO JACK

制造者系列号

Maker Series No.:

CT/PJ SERIES

制造者料号

Maker Part No.:

CT/PJ-12H-EP

日期

DATE

2023.07.28

Approved by Customer:



香港春生实业有限公司

浙江春生电子有限公司

中国浙江省乐清市虹桥镇东工业区幸福路1288-5号

No.1288-5,Xingfu East Road,East Industrial Zone,Hongqiao

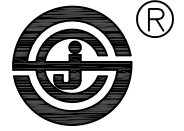
Town,Yueqing,Zhejiang,P.R.China

TEL:86-577-57578000

FAX:86-577-5757773

E-mail:saler@chunsheng.com

工程 部



Specifications

Model Type:	COMBO JACK	Designed	Checked	Approved
Maker Series No.:	CT/PJ SERIES	Linda.Chen	Yuhao.Zhu	Paul.Weii
Maker Part No.:	CT/PJ-12H-EP			
Customer Ref.:				

1. APPLICATION

Combined XLR receptacle and phone jack. New attractive `front end` design (30% less protruding from panel than original). Saves racks space by combining 2 connectors in one housing. Horizontal or vertical PCB mounting or hard wire soldering.Full normalled.

2. RATED

2.1.Practical temperature range: -25° C to +65° C

Humidity range: 85% RH.MAX.

2.2.Rated voltage: 50VAC(RMS) / DC.

2.3.Rated current: 7.5A Max.

3. CONSTRUCTION

3.1.Outline And Dimension

Outline and dimension of the jack shown be as attached part drawing.

3.2.Part And Material

The parts and materials shown be in material identification sheet and certification of material.

4. REQUIREMENTS

4.1.Electrical

4.1.1.Insulation resistance

Insulation resistance of the jack between mutually insulated terminals or metallic parts shall be not less than 500 megohms before test or initial,using a 500 volts DC insulation resistance meter.

TABLE 1:

Condition	Value
Initial	500MΩ Min.
After heat test	
After cold test	
After resistance to soldering heat test	
After life test	
After temperature cycling test	200 megohms or more
After humidity test	

Specifications

Model Type:	COMBO JACK
Maker Series No.:	CT/PJ SERIES
Maker Part No.:	CT/PJ-12H-EP
Customer Ref.:	

4.1.2. Contact resistance

Contact resistance of the jack between terminals and the XLR between terminals to be made a closed circuit shall be not exceed 30 milliohms and 20 milliohms before test or initial, and shall be not exceed 60 milliohms after life test, at a current of below 1 kHz by the voltage drop method or four terminals method.

TABLE 2:

Condition	Value
Initial	XLR: <20m Ω JACK: <30m Ω
After heat test	
After cold test	
After resistance to soldering heat test	
After temperature cycling test	
After humidity test	
After life test	less than 60 milliohms

4.1.3. Withstand voltage

The Jack shall be withstood 1500V AC between mutually insulated pin contacts for one minute, without breakdown.

4.2. Mechanical

4.2.1. Insertion and extraction force

Insertion and extraction force of the jack shall be measured with a load cell or equivalent. the matching plug shall be inserted into it and extracted from it slowly.

TABLE 3:

Condition	Value
Initial	XLR: 5N~50N JACK: 5N~45N
After heat test	
After cold test	
After resistance to soldering heat test	
After life test	
After temperature cycling test	
After humidity test	

4.3. Environmental

4.3.1. Life test

The life test shall consist of 5000 cycles of insertion and extraction with gauge plug covered with a thin coat of grease in order to prevent from heating or wearing, at a rate of 20 to 30 cycles per minutes under no load.

Specifications

Model Type:	COMBO JACK
Maker Series No.:	CT/PJ SERIES
Maker Part No.:	CT/PJ-12H-EP
Customer Ref.:	

At the conclusion of the test, the jack shall be comply with paragraphs 4.1 and 4.2, and be in operating condition.

4.3.2.Humidity test

The jack shall be subjected to temperature of $40^{\circ} \text{C} \pm 2^{\circ} \text{C}$ and relative humidity of 90% to 95% for a period of 96 hours. Upon completion of the exposure, dew drops shall be blown out and removed from it, after which it shall be conditioned at room ambient conditions for 30 minutes.

At the conclusion of the test, it shall be comply with paragraphs 4.1 and 4.2.

4.3.3.Heat test

The jack shall be subjected to temperature of $70^{\circ} \text{C} \pm 2^{\circ} \text{C}$ for a period of 96 hours, then shall be allowed to remain in room ambient conditions for 30 minutes.

At the conclusion of the test, it shall be comply with paragraphs 4.1 and 4.2.

4.3.4.Cold test

The jack shall be subjected to temperature of $-25 \pm 2^{\circ} \text{C}$ for a period of 96 hours, then shall be allowed to remain in room ambient conditions for 30 minutes.

At the conclusion of the test, it shall be comply with paragraphs 4.1 and 4.2.

4.3.5.Resistance to soldering heat test

The jack terminal shall be dipped in solder under the condition as specified below:

1. Wave sloder: Terminal for a printed circuit board(PCB),

Temperature of solder: $260^{\circ} \text{C} \pm 5^{\circ} \text{C}$

Dip time: 3-5 seconds

2. Terminal for a lead wire:

Temperature of solder: 380°C - 420°C

Time: ≤ 4 seconds

At the conclusion of the test, it shall be comply with paragraphs 4.1 and 4.2, and not show remarkable failure.

4.3.6.Soldering test

Areas of soldering shall be capable of 95% or more of dip terminal area.

Condition: Terminal of solder: $245 \pm 5^{\circ} \text{C}$.

Time of dip: 3 ± 0.5 seconds.

Length of dip: 2.5 mm (from top of terminal).

Specifications

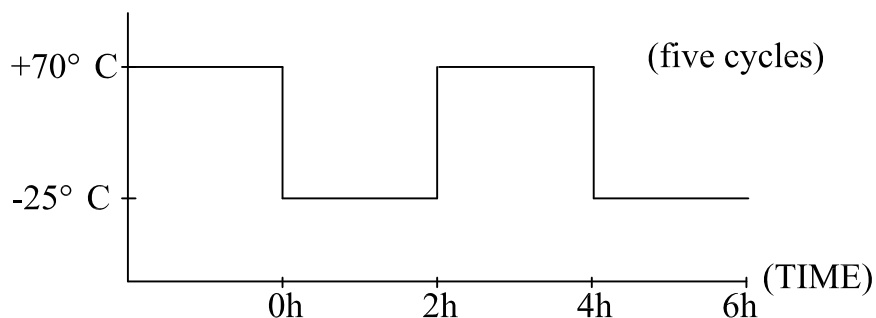
Model Type:	COMBO JACK
Maker Series No.:	CT/PJ SERIES
Maker Part No.:	CT/PJ-12H-EP
Customer Ref.:	

4.3.7. Temperature cycling test

The jack shall be subjected to conditions as shown in below (five cycles), and then shall returned and allowed to remain ambient condition for 30 minutes.

At the conclusion of the test, it shall be comply with paragraphs 4.1 and 4.2.

(TEMPERATURE)



4.3.8. Salt mist test

Testing bath:

The temperature shall be $35^{\circ} C \pm 2^{\circ} C$ in the ambient of the test specimen during the test.

Spray apparatus:

The apparatus shall be capable of producing fine dense mist uniformly.

Salt water:

The concentration of the salt water shall be adjusted at $5 \pm 1\%$ weight ratio at $35^{\circ} C \pm 2^{\circ} C$.

Testing time: 8 hours.

After washed in water. the sample shall be left alone for 1 to 2 hours in a room ambient. Appearance shall be not extremely rust. and contacting portions should such that they will work without hindrance for practical use.

5. TEST CONDITION

Unless otherwise specified herein, all measurements and tests shall be made at temperature of $5^{\circ} C$ to $35^{\circ} C$ and relative humidity of 45% to 85%.

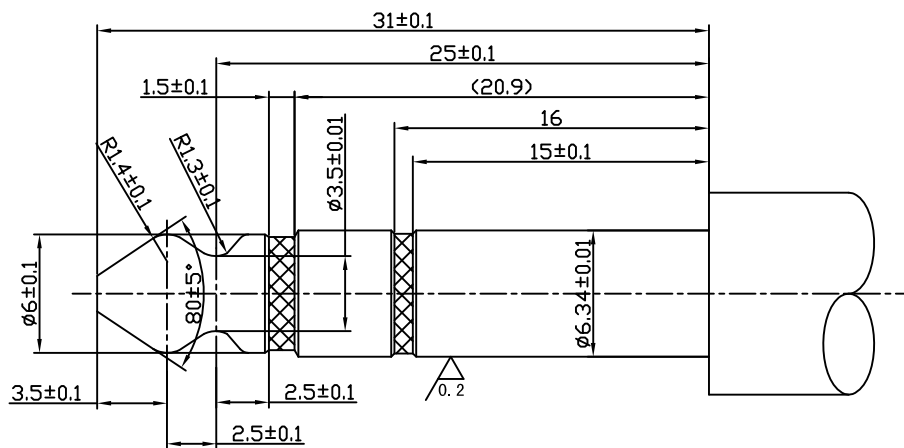
6. AMENDMENT

When the amendment of this specification comes into necessity, it shall made by the mutual consultation and agreement between manufacture and customer.

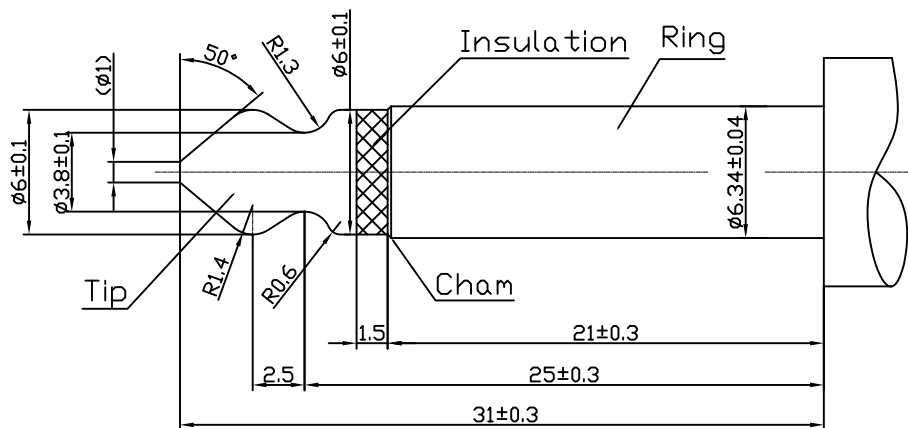
Specifications

Model Type:	COMBO JACK
Maker Series No.:	CT/PJ SERIES
Maker Part No.:	CT/PJ-12H-EP
Customer Ref.:	

PHONE JACK GAUGE PLUG



double track Gauge plug



single track Gauge plug

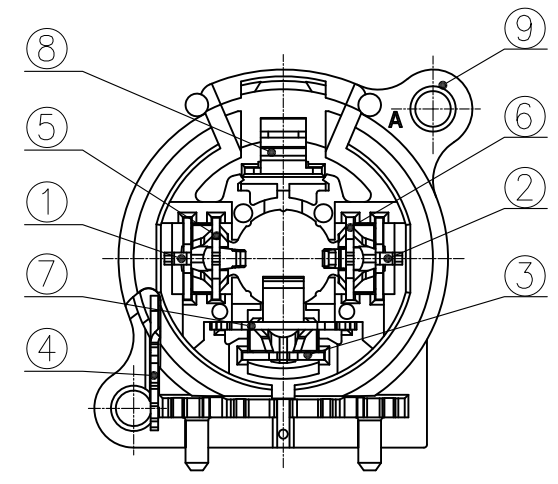
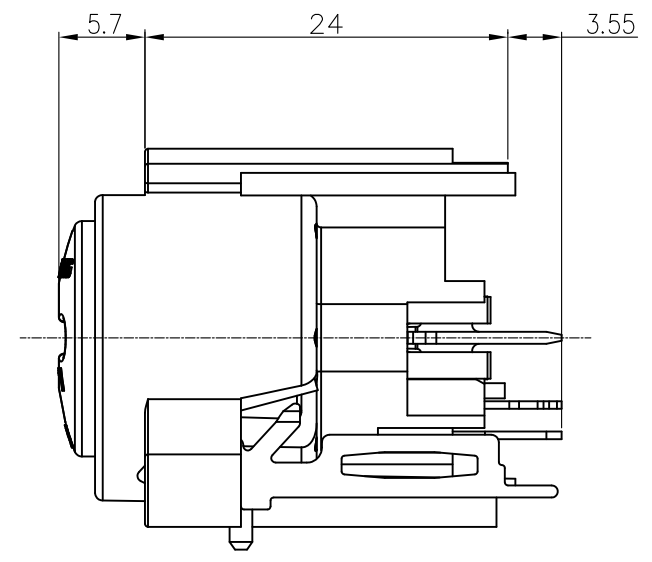
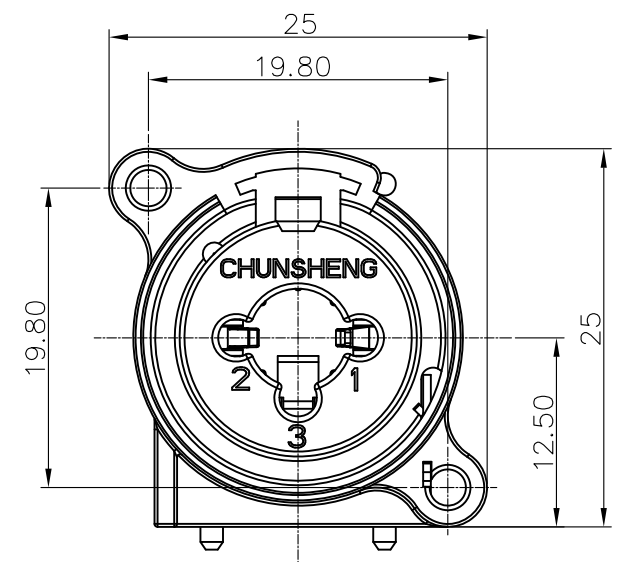
Surface roughness: Peak-to valley height of 0.2 micro MAX.

For insertion and extraction force: Material: T10A

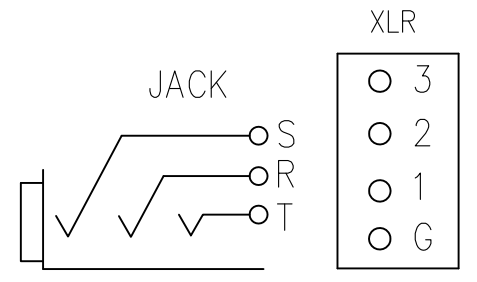
For contact resistance: Material: Brass

Finish: Silver plated

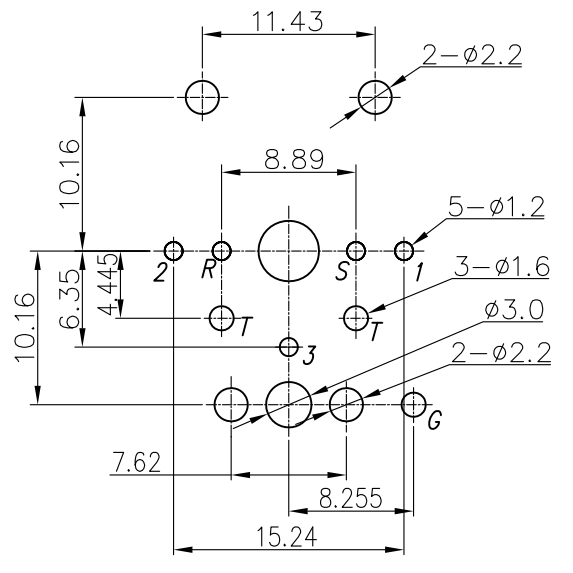
REV.	ECN NO.	MODIFIED MARK	APPROVED
A	JC-1602001	First Release	DAVID.LI
B	JC-1607002	DESIGN MODIFICATION	DAVID.LI



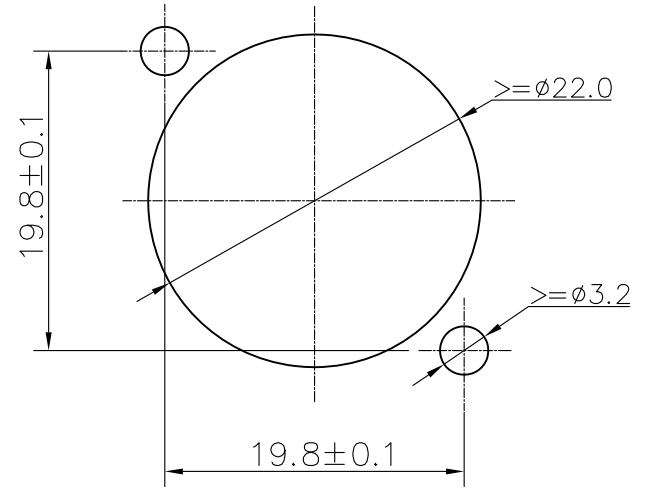
ELECTRICAL:
 电气性能
RATED CURRENT: 7.5 A MAX.
 额定电流: 7.5 A MAX.
RATED VOLTAGE: 50 V AC (RMS)/DC.
 额定电压: 50 V AC (RMS)/DC.
CONTACT RESISTANCE: XLR: 20 MILLIOHMS MAX. JACK: 30 MILLIOHMS MAX.
 接触电阻: XLR: 20 MILLIOHMS MAX. JACK: 30 MILLIOHMS MAX.
INSULATION RESISTANCE: 500 MEGAOHMS MIN.
 绝缘电阻: 500 MEGAOHMS MIN.
DIELECTRIC WITHSTANDING VOLTAGE: 1500 VAC MIN.
 耐电压: 1500 VAC MIN.
MECHANICAL:
 机械性能
INSERTION FORCE: XLR: 5-50N. JACK: 5-45N.
 插入力: XLR: 5-50N. JACK: 5-45N.
WITHDRAWAL FORCE: XLR: 5-50N. JACK: 5-45N.
 拔出力: XLR: 5-50N. JACK: 5-45N.
DURRABILITY: 5000 CYCLES MIN.
 耐久性: 5000 CYCLES MIN.
ENVIRONMENTAL:
 环境性能
TEMPERATURE RANGE: -25° C TO 65° C.
 温度范围: -25° C TO 65° C.



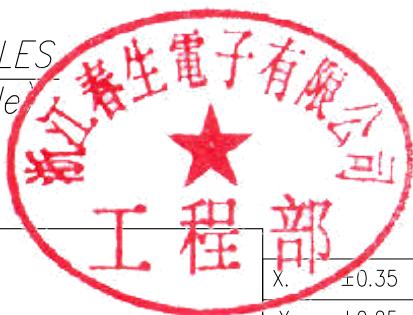
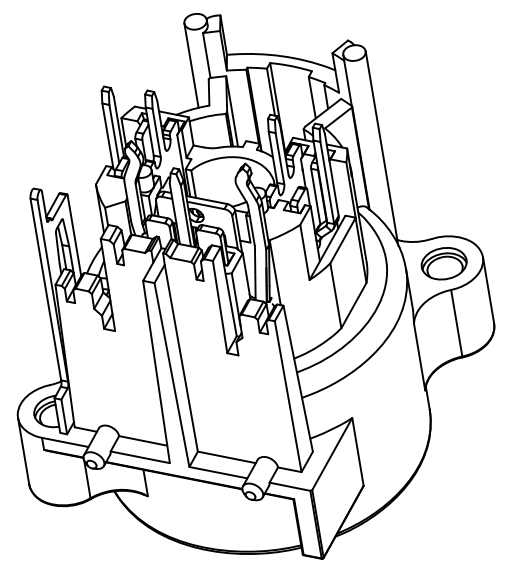
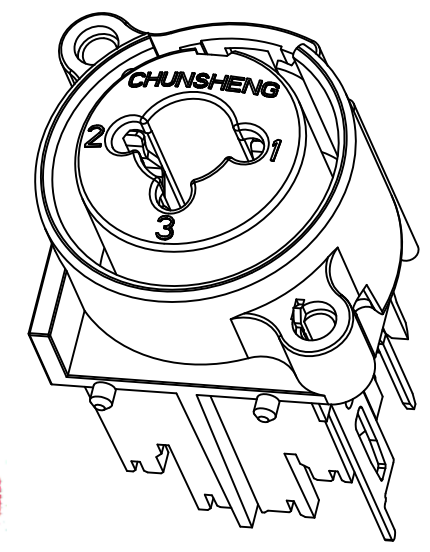
CIRCUIT DIAGRAM



P.C.B. LAYOUT (Tolerance: ±0.1)
(Top view)



CHASSIS MOUNTING HOLES
Panel cut out (front side)



9	BODY	1	NYLON G30 UL94HB	BLACK
8	SPRING	1	STEEL T=0.4	Blackening
7	TIP TERMINAL (T)	1	PHOSPHOR BRONZE T=0.5	Au-PLATED
6	RING TERMINAL (R)	1	PHOSPHOR BRONZE T=0.5	Ag-PLATED
5	EARTH TERMINAL (S)	1	PHOSPHOR BRONZE T=0.5	Ag-PLATED
4	GROUND TERMINAL (G)	1	PHOSPHOR BRONZE T=0.5	Sn-PLATED
3	3# TERMINAL	1	PHOSPHOR BRONZE T=0.5	Au-PLATED
2	2# TERMINAL	1	PHOSPHOR BRONZE T=0.5	Au-PLATED
1	1# TERMINAL	1	PHOSPHOR BRONZE T=0.5	Au-PLATED
No.	P/N	Q'TY	Material	Finish/Color

RoHS COMPLIANT

THIS DOCUMENT IS THE PROPERTY OF CHUNSHENG ELECTRONICS CO.,LTD.,NO PART THEREOF MAY BE REPRODUCED AND USED WITHOUT THE PRIOR WRITTEN CONSENT OF THE OWNER

MODEL NAME: CT/PJ-12H-EP
(PART NO.) (702-1001-0039)

MAT'L: SEE DETAIL SHEET
DESIGN: Arron.Zhu

FINISH: SEE DETAIL SHEET
CHECKED: Paul.Wei

Q'TY / APPROVED: David.Li

浙江春生电子有限公司
Zhejiang Chunsheng Electronics Co., Ltd.

TITLE: CT/PJ-12H-EP(CUSTOMER DWG)

DWG NO.: 702-1000-0039
REV.: B

UNIT: MM VIEW: SCALE: 2:1 SHEET: 1/1 SIZE: A3