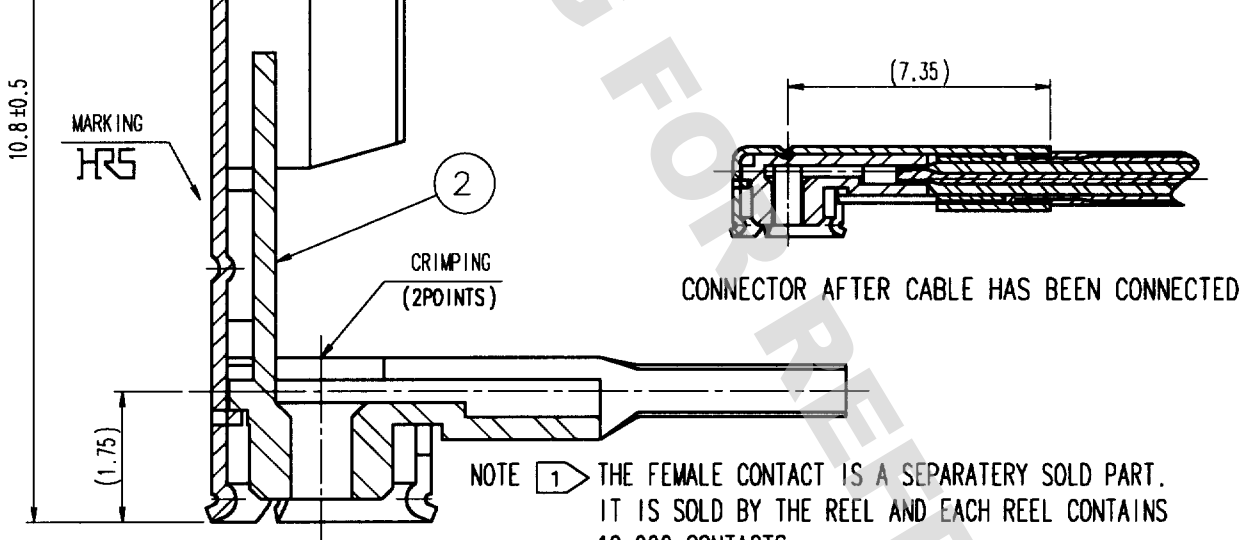
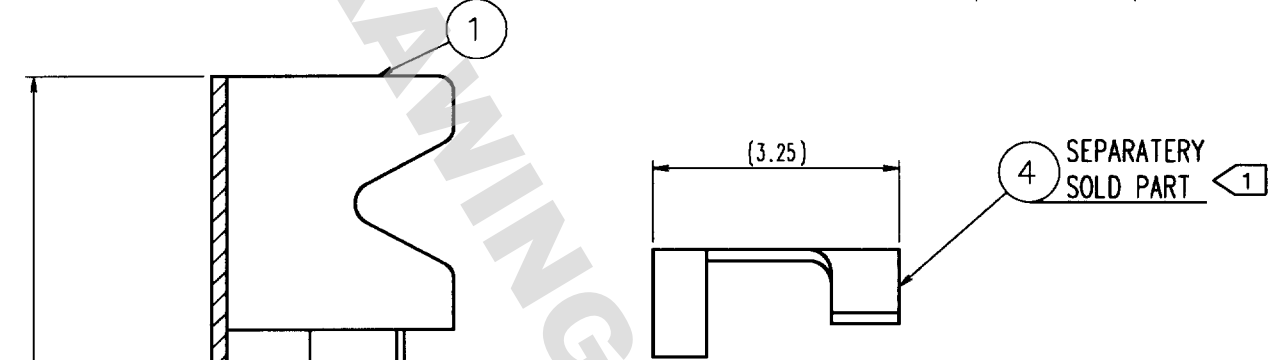
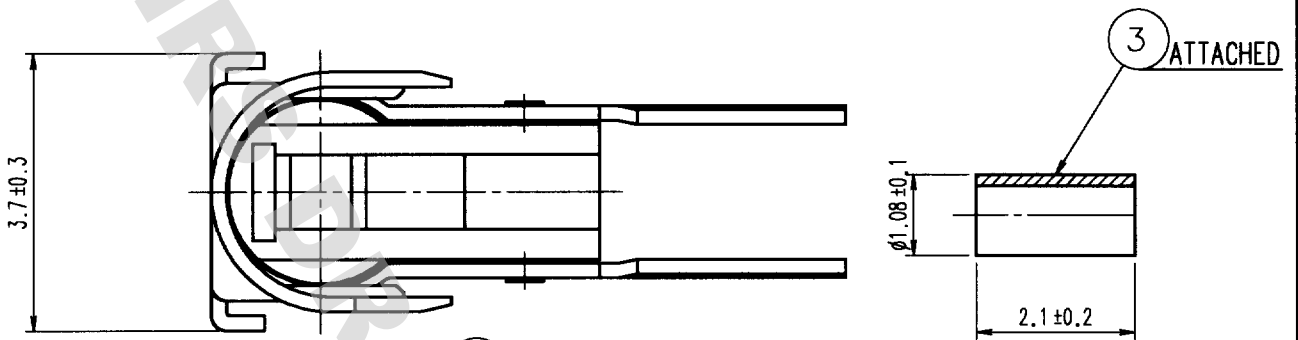


DRAWING FOR REFERENCE: This is subject to change without notice  
08/11/2012

TO
RF

1		2			3			4		
COUNT	DESCRIPTION OF REVISIONS	BY	CHKD	DATE	COUNT	DESCRIPTION OF REVISIONS	BY	CHKD	DATE	
△					△					
△					△					
△					△					



NOTE 1 THE FEMALE CONTACT IS A SEPARATERY SOLD PART. IT IS SOLD BY THE REEL AND EACH REEL CONTAINS 10,000 CONTACTS.

3 THE QUANTITY OF H.FL-LP-A32(01) IS 100 CONNECTORS PER PACK.

2 CONNECTOR SHALL BE EXTRACTED VERTICALLY BY SPECIALISED EXTRACTION JIG. (S.FL-LP-N(CL331-0151-9))

2	P B T	(BLACK) .UL94V-0	4	PHOSPHOR BRONZE	GOLD PLATED
1	PHOSPHOR BRONZE	SILVER PLATED	3	STAINLESS STEEL	
NO.	MATERIAL	FINISH, REMARKS	NO.	MATERIAL	FINISH, REMARKS

CODE NO. (OLD) CL	DRAWN H. Shimizu '00.11.14	DESIGNED H. Shimizu '00.11.14	CHECKED Kobayashi '00.11.14	APPROVED Kobayashi '00.11.14	RELEASED
----------------------	----------------------------------	-------------------------------------	-----------------------------------	------------------------------------	----------

 SCALE 10 : 1 UNITS mm	DRAWING NO. EDC4-047370-01	PART NO. H.FL-LP-A32(01)
	 HIROSE ELECTRIC CO.,LTD.	CODE NO. CL331-0504-7-01

