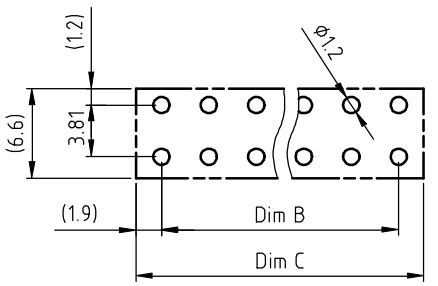
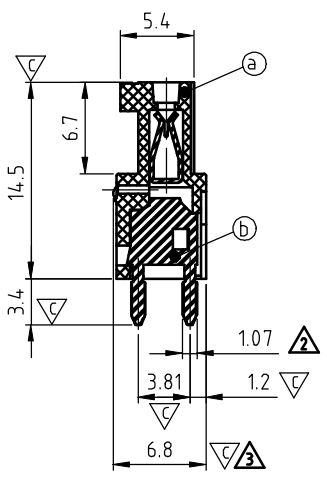
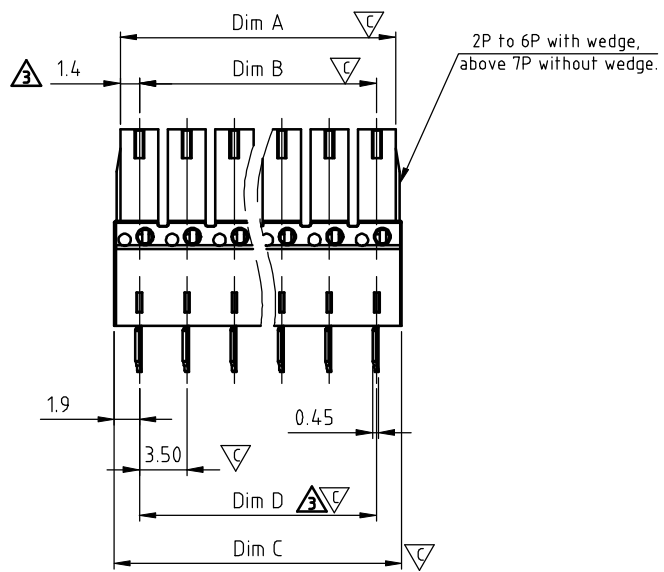
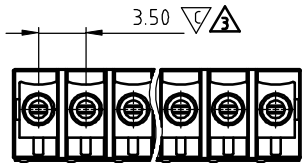


SIGN	DATE	DESCRIPTION	APPROVER
▲	2010.01.12	Add cULus standard	Jacke
▲	2013.08.10	change the dimension from 0.93 to 1.07	Chen Bo
▲	2013.08.10	update the drawing	Chen Bo

THIS IS CAD DRAWING, DO NOT REVISE MANUALLY!!!



P.C.B. LAYOUT

N = Number of poles
 Dim A=(N-1)x3.5+2.8
 Dim B=(N-1)x3.5
 Dim C=(N-1)x3.5+3.7
 Dim D=(N-1)x3.5

	Dim A	Dim B	Dim C	Dim D
2-5p	±0.10	±0.10	±0.10	±0.10
6-10p	±0.15	±0.15	±0.15	±0.15
11-15p	±0.20	±0.20	±0.20	±0.20
16-20p	±0.25	±0.25	±0.25	±0.25
21-24p	±0.30	±0.30	±0.30	±0.30

Materials

- Item a Terminal body:Thermoplastic (UL94V-0)
- Item b Female contact:PhBz(CuSn),Tin plated

Electrical

- Voltage rating: 300VAC
- Current rating: 8A
- Withstanding Voltage: 1.6kv
- Operating temperature: -40°C to +115°C
- Soldering temperature: 260°C±5°C/5 Sec
- ▲ Safety Approval:
- Critical dimension:

V7 xx 1 1 x 0 xxxx G

No. OF POLES
 02 2 CONTACTS
 03 3 CONTACTS

 24 24 CONTACTS

- 0 Black (RAL9005)
- 2 Red (RAL3001/D)
- 3 Orange(RAL2011/P)
- 4 Yellow(RAL1018/A)
- 5 Green(RAL6018/T)
- 6 Blue (RAL5015/A)
- 8 Grey(RAL7035/D)
- 9 White(RAL1102)
- C Green(RAL6018/U)

G RoHS compliant (lead<4%) In copper Alloy
 0000: "@" Logo (Standard)
 000A: "ANYTEK" Mark
 Any special item by customer request. please contact sales department.

ANYTEK				INSPECTION COPY			
				ALL RIGHTS RESERVED. REPRODUCTION OR ISSUE TO THIRD PARTIES IN ANY FORM WHATSOEVER IS NOT PERMITTED WITHOUT WRITTEN AUTHORITY FROM THE PROPRIETOR. PROPERTY OF ANYTEK TECHNOLOGY CO., LTD			
TITLE		V7 3.5mm series Vertical		DWG NO.		8V70001	
PART NO.		V7xx11x0xxxxG		CUST NO.			
APPROVED		DESIGNED	DRAWN			Tolerance	
		Chen Bo 08/10`13	Chen Bo 08/08`13			UNIT: mm	X. ±0.5
				SCALE: NONE	X.XX ±0.1	X° ±1°	
				SHEET: 01/01	REV.: D		