

## SuperESD - SDT23C712L02-ES

### 1. Description

The SDT23C712L02-ES protects sensitive semiconductor components from damage or upset due to electrostatic discharge (ESD) and other voltage induced transient events. They feature large cross-sectional area junctions for conducting high transient currents, offer desirable electrical characteristics for board level protection, such as fast response time, low operating voltage. It gives designer the flexibility to protect one bi-directional line in applications where arrays are not practical.

### 2. Features

- IEC 61000-4-2 Level 4 ESD Protection
  - ±30kV Contact Discharge
  - ±30kV Air Discharge
- IEC 61000-4-4 EFT Protection
  - 35A (5/50ns)
- 400W Peak pulse Power (8/20us)
- RoHS compliance
- Bidirectional configuration
- IO Capacitance: 40pF (Typical)
- Low clamping voltage
- SOT-23 package

### 3. Applications

- RS-485
- Security systems
- Automatic teller machines
- HFC systems

### 4. Ordering Information

Part Number	Package	Marking	Material	Packing	Quantity per reel	Flammability Rating	Reel Size
SDT23C712L02-ES	SOT-23	712	Halogen free	Tape & Reel	3,000 PCS	UL 94V-0	7 inches

Table-1 Ordering information

## 5. Pin Configuration and Functions

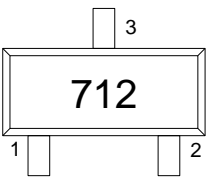
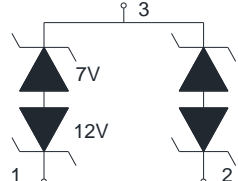
Pin	Name	Description	Outline	Circuit Diagram
1	IO	Connect to IO		
2	IO	Connect to IO		
3	GND	Connect to GND		

Table-2 Pin configuration

## 6. Specification

### 6.1. Absolute Maximum rating

Over operating free-air temperature range (unless otherwise noted)

Parameters	Symbol	Min.	Max.	Unit	
Peak pulse power (tp=8/20us) @25°C	P <sub>pk</sub>	-	400	W	
Peak pulse current (tp=8/20us) @25°C	I <sub>PP</sub>	Pin1,2-Pin3	-	17	A
		Pin3-Pin1,2	-	22	
ESD (IEC61000-4-2 air discharge) @25°C	V <sub>ESD</sub>	-	±30	kV	
ESD (IEC61000-4-2 contact discharge) @25°C	V <sub>ESD</sub>	-	±30	kV	
Junction temperature	T <sub>J</sub>	-	150	°C	
Operating temperature	T <sub>OP</sub>	-40	125	°C	
Storage temperature	T <sub>STG</sub>	-55	150	°C	
Lead temperature	T <sub>L</sub>	-	260	°C	

Table-3 Absolute Maximum rating

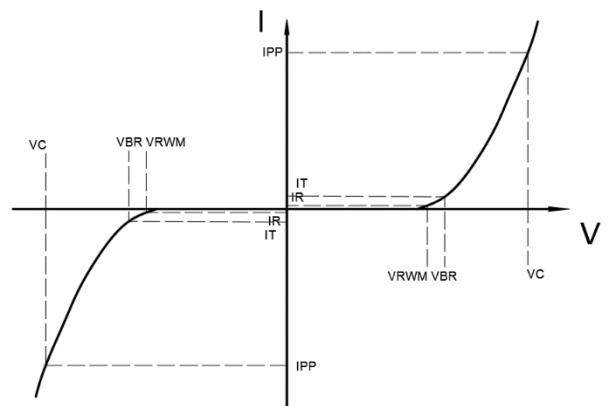
**6.2. Electrical Characteristics**

At TA = 25°C unless otherwise noted

Parameters	Symbol	conditions	Min.	Typ.	Max.	Unit
Reverse stand-off voltage	$V_{RWM}$	Pin1 or Pin2 to Pin3			12.0	V
		Pin3 to Pin1 or Pin2			7.0	
Reverse Breakdown Voltage	$V_{BR}$	Pin1 or Pin2 to Pin3; $I_R=1mA$	13.3	16.3		V
		Pin3 to Pin 1or Pin2; $I_R=1mA$	7.5	9.8		
Reverse Leakage Current	$I_R$	Pin1 or Pin2 to Pin3; $V_{RWM}=12V$			1.0	uA
		Pin3 to Pin1or Pin2; $V_{RWM}=7V$			1.0	
Clamping Voltage	$V_{CL}$	Pin1 or Pin2 to Pin3; $I_{PP}=17A$		24.0		V
		Pin3 to Pin1 or Pin2; $I_{PP}=22A$		18.0		
Junction capacitance	$C_O$	I/O-GDN, $V_R=0V$ ; $f = 1MHz$		40		pF

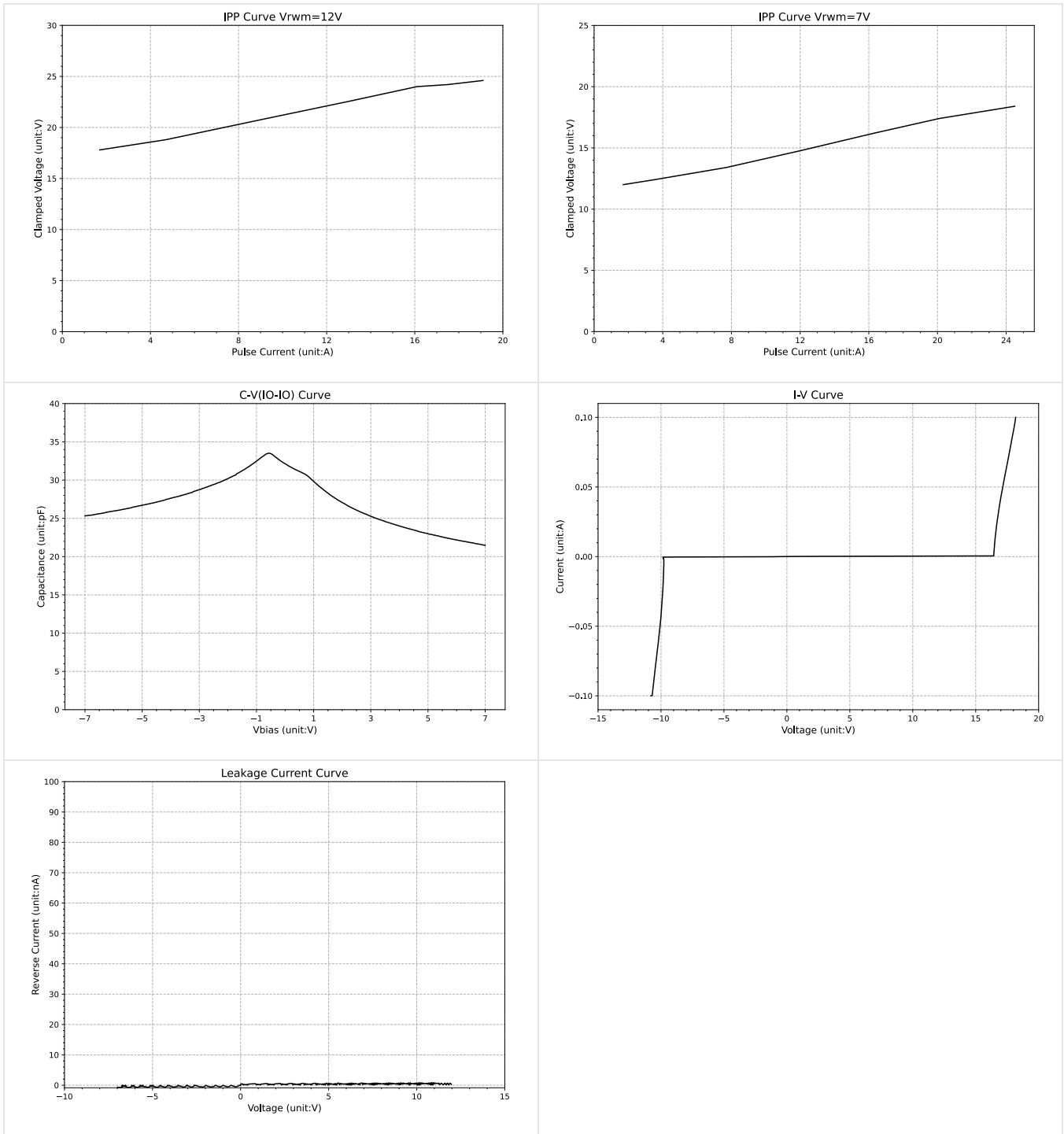
Table-4 Electrical Characteristics

Symbol	Parameters
$V_{RWM}$	Peak Reverse Working Voltage
$I_R$	Reverse Leakage Current @ $V_{RWM}$
$V_{BR}$	Breakdown Voltage @ $I_T$
$I_T$	Test Current
$I_{PP}$	Maximum Reverse Peak Pulse Current



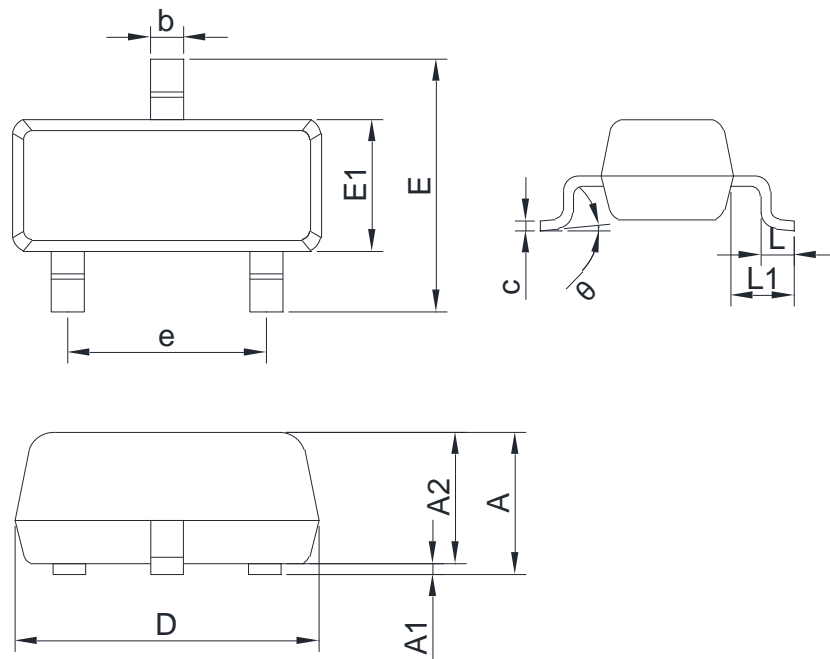
$V_C$	Clamping Voltage @ $I_{PP}$
-------	-----------------------------

## 7. Typical Characteristic



8. Dimension (SOT-23)

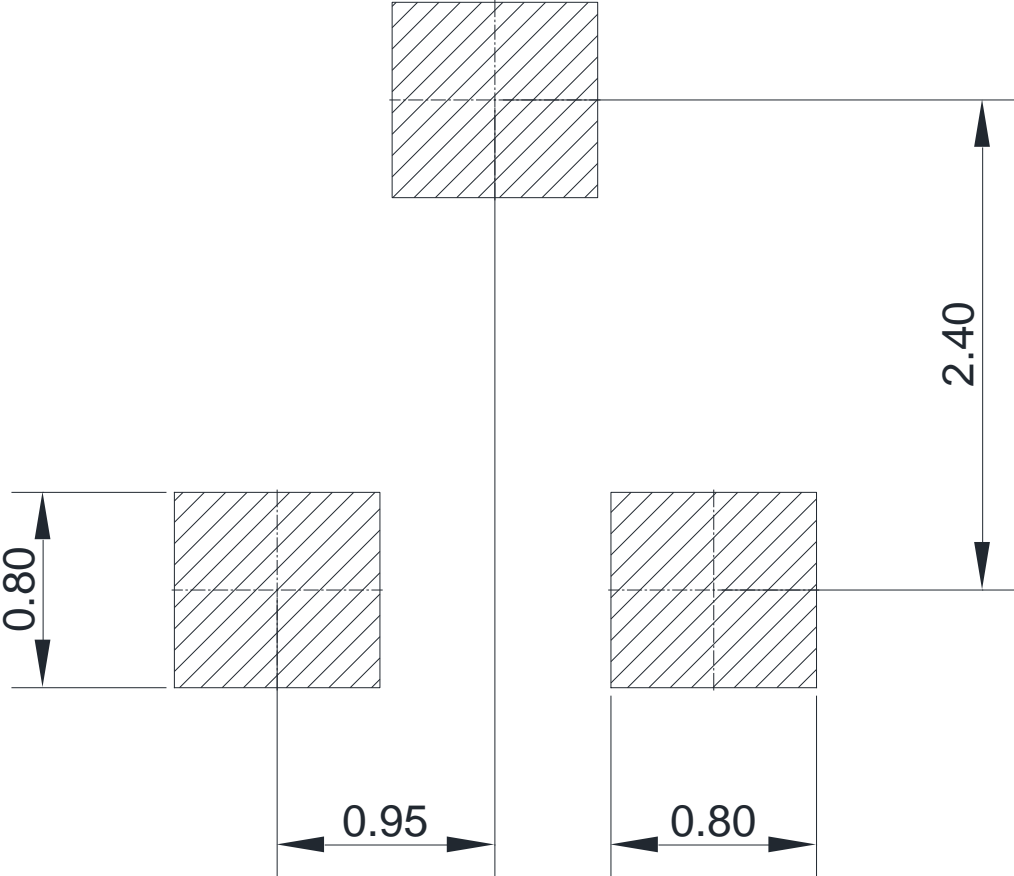
POD(Z)



COMMON DIMENSIONS CUNITS MEASURE=MILLIMETER					
SYMBOL	MIN	MAX	SYMBOL	MIN	MAX
A	0.90	1.20	E	2.25	2.55
A1	0.00	0.10	E1	1.20	1.40
A2	0.90	1.10	e	1.80	2.00
b	0.30	0.50	L	0.30	0.50
c	0.07	0.18	L1	0.475	0.625
D	2.80	3.04	θ	0°	8°



9. Recommended Soldering Footprint



DIMENSIONS: MILLIMETERS

**DISCLAIMER**

ELECSUPER PROVIDES TECHNICAL AND RELIABILITY DATA (INCLUDING DATASHEETS), DESIGN RESOURCES (INCLUDING REFERENCE DESIGNS), APPLICATION OR OTHER DESIGN ADVICE, SAFETY INFORMATION, AND OTHER RESOURCES "AS IS" AND WITH ALL FAULTS, AND DISCLAIMS ALL WARRANTIES, EXPRESS AND IMPLIED, INCLUDING WITHOUT LIMITATION ANY IMPLIED WARRANTIES OF MERCHANTABILITY, FITNESS FOR A PARTICULAR PURPOSE OR NON-INFRINGEMENT OF THIRD PARTY INTELLECTUAL PROPERTY RIGHTS.

These resources are intended for skilled developers designing with ElecSuper products. You are solely responsible for

- (1) selecting the appropriate ElecSuper products for your application;
- (2) designing, validating and testing your application;
- (3) ensuring your application meets applicable standards, and any other safety, security, or other requirements.

These resources are subject to change without notice. ElecSuper grants you permission to use these resources only for development of an application that uses the ElecSuper products described in the resource. Other reproduction and display of these resources are prohibited. No license is granted to any other ElecSuper intellectual property right or to any third party intellectual property right. ElecSuper disclaims responsibility for, and you will fully indemnify ElecSuper and its representatives against, any claims, damages, costs, losses, and liabilities arising out of your use of these resources. ElecSuper's products are provided subject to ElecSuper's Terms of Sale or other applicable terms available either on [www.elecsuper.com](http://www.elecsuper.com) or provided in conjunction with such ElecSuper products. ElecSuper's provision of these resources does not expand or otherwise alter ElecSuper's applicable warranties or warranty disclaimers for ElecSuper products.