

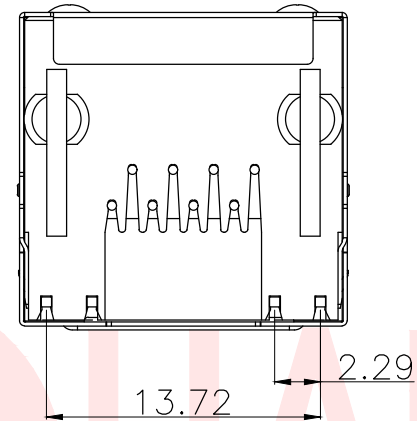
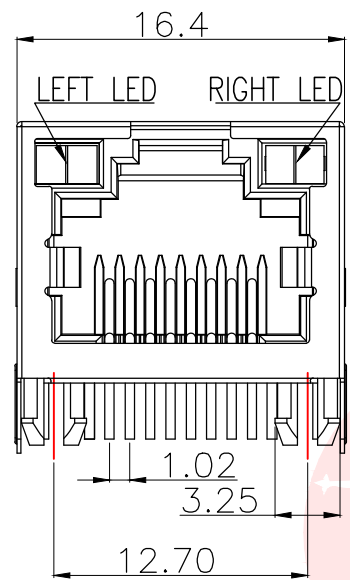


焊脚尺寸以顺畅过孔规为准

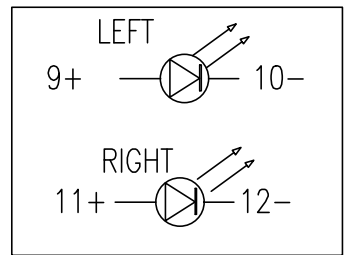
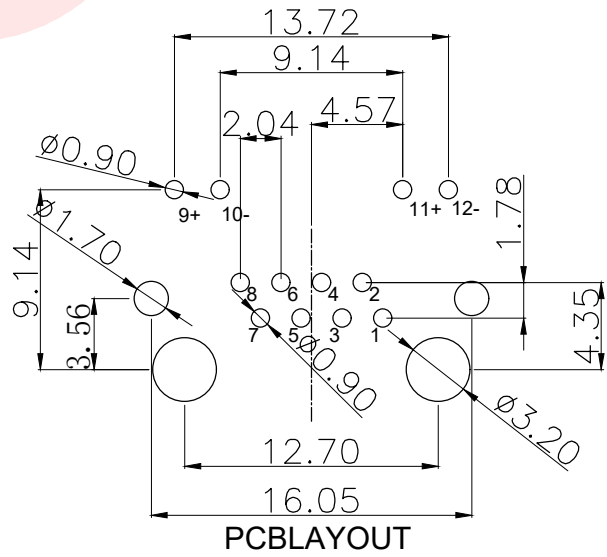
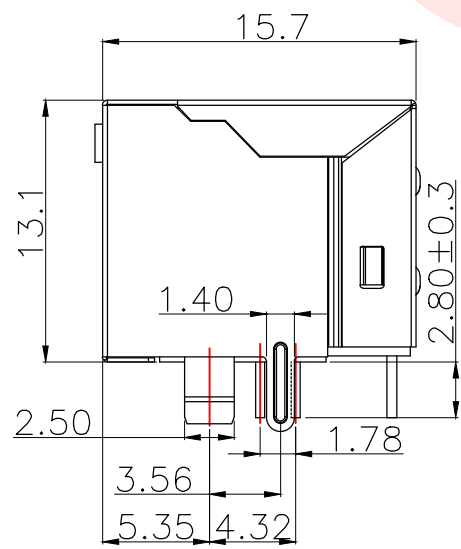
REV.	ECN NO OR DESCRIPTION	REVISED	DATE

NOTES

- MATERIAL**
- HOUSING MATERIAL: GLASS FILLED POLYESTER UL94V-0.
 - CONTACT MATERIAL: PHOSPHOR BRONZE $\phi 0.46\text{mm}$.
 - PLATING: GOLD FLASH PLATING OVER NICKEL.
 - SHIELD: BRASS TO.20mm 40u" NICKEL PLATED.
- ELECTRICAL**
- VOLTAGE RATING: 125 VAC RMS.
 - CURRENT RATING: 1.5 AMP.
 - CONTACT RESISTANCE: 40 MILLIOHMS MAX.
 - INSULATION RESISTANCE: 500 MEGOHMS MIN @ 100V DC.
 - DIELECTRIC DIELECTRIC RESISTANCE: 500V DC RMS 50Hz. 1MIN.
- MECHANICAL**
- DURRABILITY: 750 CYCLES MIN.
 - MATING/UNMATING FORCE: 2.24 KG.F MAX.
- ENVIRONMENTAL:**
- STORAGE: $-40^{\circ}\text{C} \sim +85^{\circ}\text{C}$.
 - OPERATION: $-40^{\circ}\text{C} \sim +85^{\circ}\text{C}$.



8	—
7	—
6	RX-
5	—
4	—
3	RX+
2	TX-
1	TX+
PIN序 说明	



RJ45-202-007-01

- 流水码
- 00: 2.8脚-0.5u"淡 PBT黑 盘装
 - 01: 2.8脚-0.5u"淡 PA46黑 盘装
- 类别码
- 006: B型无弹左绿右黄
 - 007: B型无弹左黄右绿

UNLESS OTHERWISE SPECIFIED TOLERANCES		东莞市汉博电子科技有限公司 DONGGUAN HANBO TECHNOLOGY CO., LTD			
DECIMALS:	ANGLES:	TITLE	RJ45 56B型无弹 左黄右绿DIP PA46黑		
X : ±0.35	X : ±2°	DWN	xiong	PART NO. RJ45-202-007-01	
X.X : ±0.25	X.X : ±1°	CHKD	lee	SCALE: 1:1	UNIT: mm
X.XX : ±0.15		APVD	wang	SIZE: A4	SHEET: 10F 1
CUSTOMER COPY					