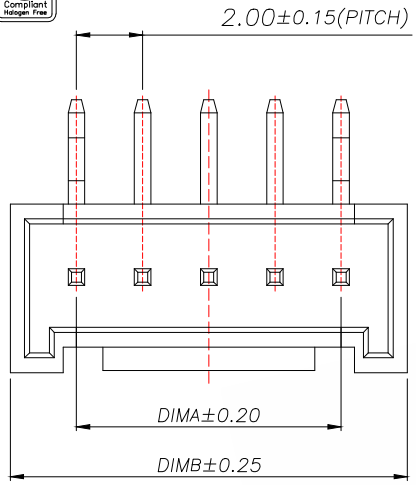
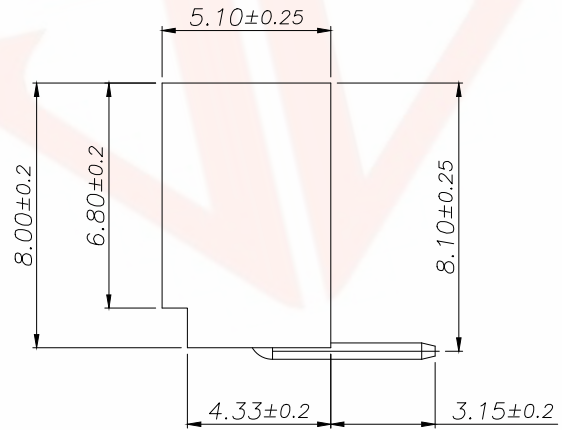
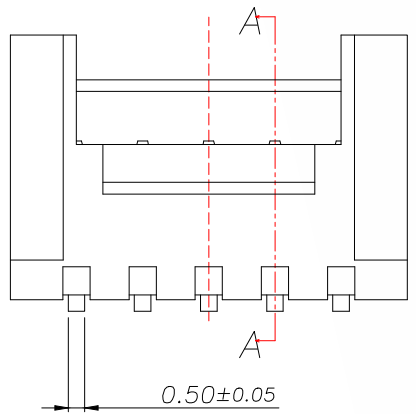




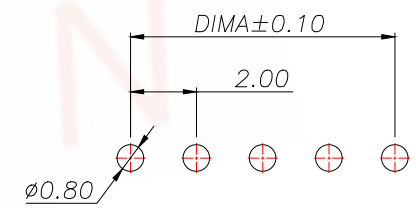
REV.	ECN NO.	DESCRIPTION	DATE	DESIGN



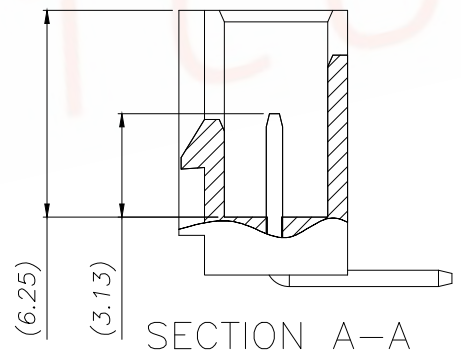
Technical Index:
 1. Temperature range: $-25^{\circ}\text{C}\sim 85^{\circ}\text{C}$.
 2. Rated voltage: 200V DC/AC(rms).
 3. Rated current: 2.0A.
 4. Contact resistance: $\leq 25\text{m}\Omega$.
 5. Withstanding voltage: 500V AC/minute.
 6. Insulation resistance: $\geq 1000\text{M}\Omega$.



Part No	Pin	A	B
A200E1W1-2R2P12	2	2.00	6.00
A200E1W1-2R3P12	3	4.00	8.00
A200E1W1-2R4P12	4	6.00	10.00
A200E1W1-2R5P12	5	8.00	12.00
A200E1W1-2R6P12	6	10.00	14.00
A200E1W1-2R7P12	7	12.00	16.00
A200E1W1-2R8P12	8	14.00	18.00
A200E1W1-2R9P12	9	16.00	20.00
A200E1W1-2R10P12	10	18.00	22.00
A200E1W1-2R11P12	11	20.00	24.00
A200E1W1-2R12P12	12	22.00	26.00
A200E1W1-2R13P12	13	24.00	28.00
A200E1W1-2R14P12	14	26.00	30.00
A200E1W1-2R15P12	15	28.00	32.00
A200E1W1-2R16P12	16	30.00	34.00
A200E1W1-2R17P12	17	32.00	36.00
A200E1W1-2R18P12	18	34.00	38.00
A200E1W1-2R19P12	19	36.00	40.00
A200E1W1-2R20P12	20	38.00	42.00



序号	品名	材质
1	HY2.0 弯针 胶芯	PA66 UL94V-2 Red
2	HY2.0 弯针 端子	Copper Alloy/ Tin Plating



适用线路板(PCB LAYOUT)

TOLERANCE		深圳聚兴泰电子科技有限公司 Shenzhen Juxingtai Electronic Technology Co., Ltd	
X.X:±0.35	X.X':±3°	PART NO.	TITLE: Socket-type terminal Vertical plug
X.XX:±0.25	X.XX':±2°	A200E1W1-2RXP12	MANUFACTURE DWG
X.XXX:±0.15		DESIGN: Ethan	
UNITS	mm	CHED: Olivia	
MATERILA	---	APPD: Ava	
FINISH	---		SCALE N:A SHEET 1/1