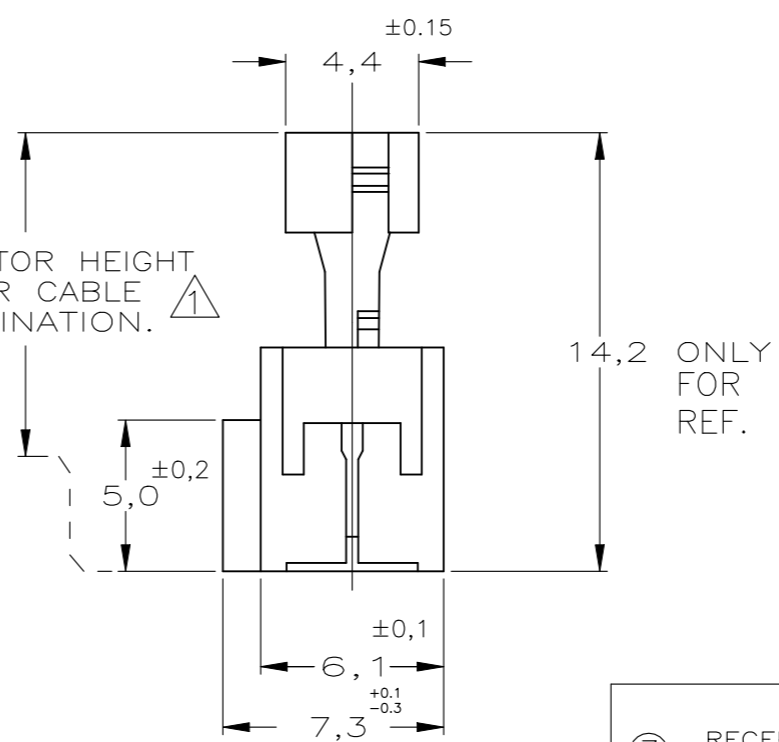
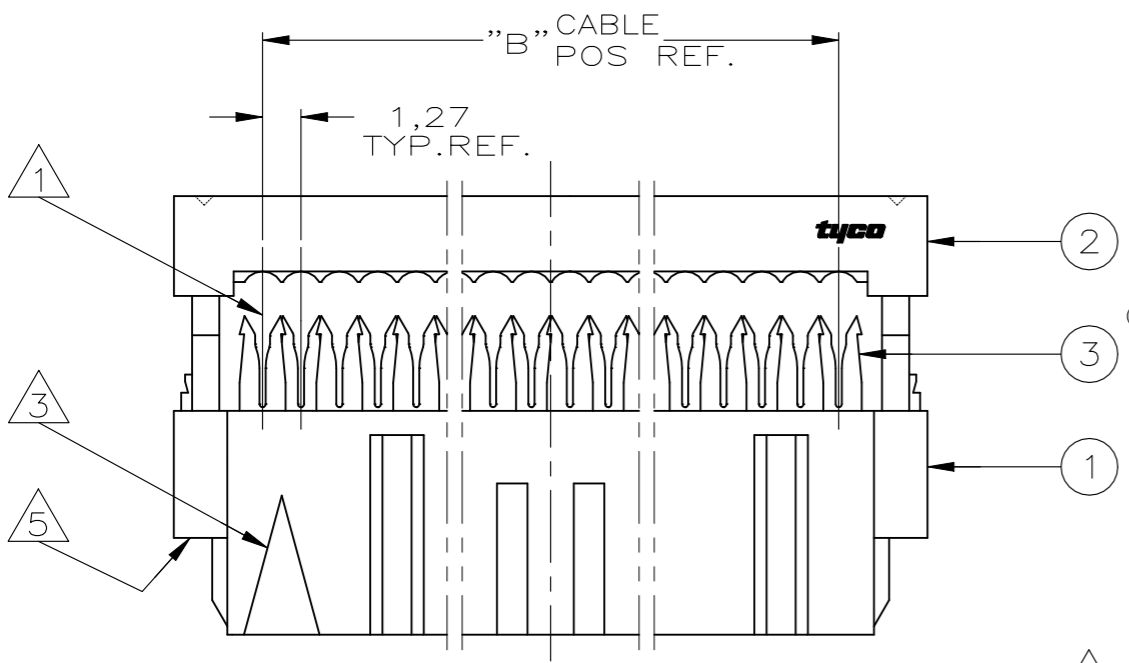
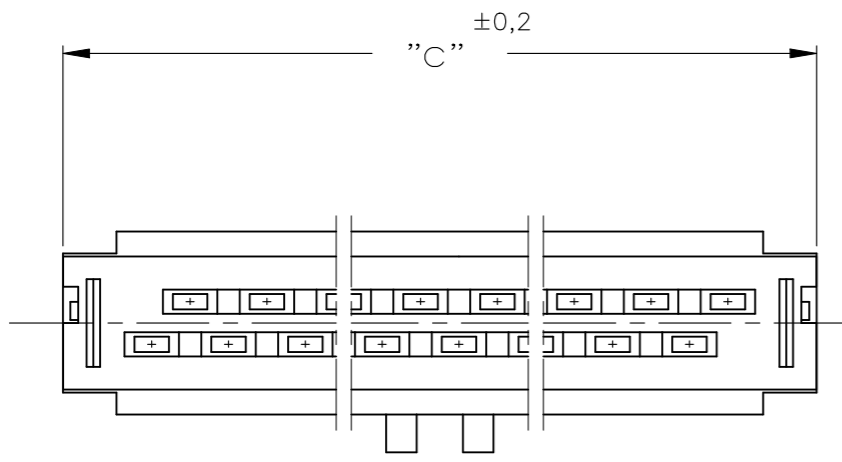


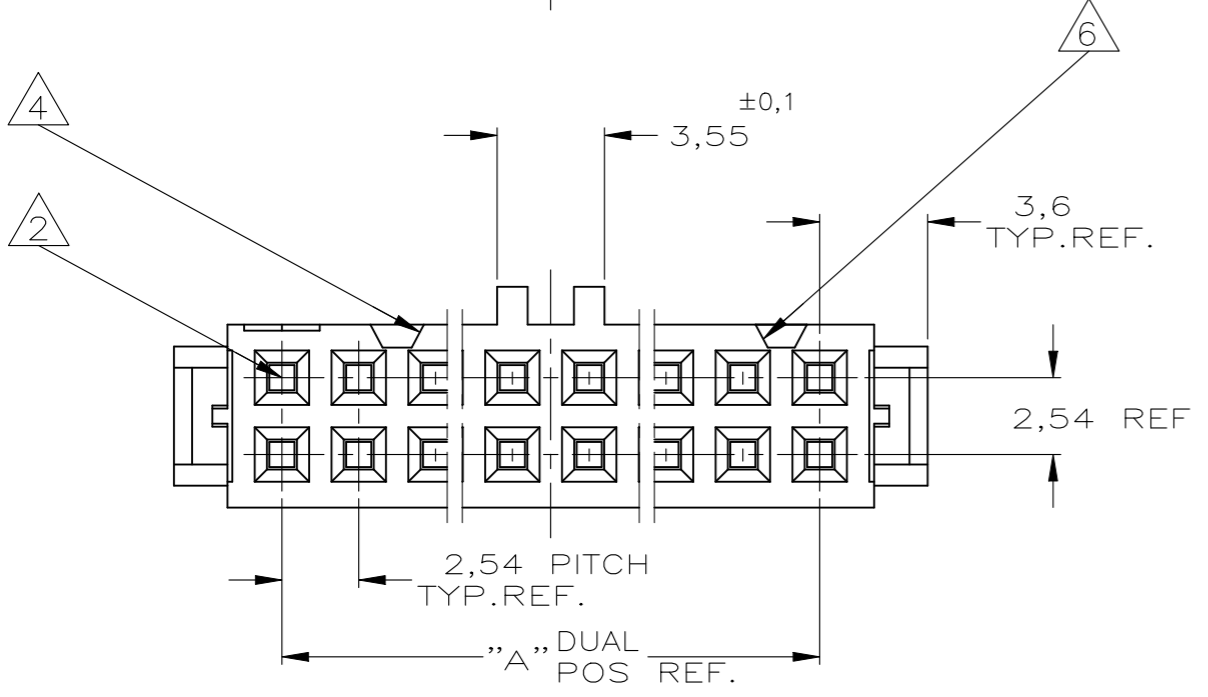
REVISIONS					
P	LTR	DESCRIPTION	DATE	DWN	APVD
	G1	REVISED PER ECR-21-115231	07JUN2023	GC	WH

NOTES:

- ① CONNECTOR IS DESIGNED FOR FLAT RIBBON CABLE ON 1,27 CENTERS . FOR CABLE REQUIREMENTS SEE AMP APPLICATION SPECIFICATION 114-19022.
- ② THESE RECEPTACLE CONNECTORS MATE WITH 0,64^{+0,05} mm SQUARE OR ROUND POSTS ON 2,54mm GRID.
- ③ MARK INDICATING FIRST CABLE POSITION REFERRING TO CONTACT POSITION.
- ④ THERE IS NO POLARIZATION-SLOT AT THIS END IN 6, 10 AND 14 POS CONNECTORS.
- ⑤ THESE CONNECTORS CAN BE USED IN CONJUNCTION WITH STRAIN-RELIEF COVERS OF PARTNR: 100103.
- ⑥ THERE IS NO POLARIZATION-SLOT AT THIS END IN 6 POS CONNECTORS.
- ⑦ PRODUCT SPECIFICATION 108-19033.
- ⑧ OBSOLETE PARTS: OBSOLETE CIS STREAMLINING PER D.RENAUD/D.SINISI



	85,9	64	32	6-215882-4	E
	80,8	60	30	6-215882-0	E
	68,1	50	25	5-215882-0	E
	60,5	44	22	4-215882-4	E
	55,4	40	20	4-215882-0	E
	47,8	34	17	3-215882-4	E
⑧ OBSOLETE	42,7	30	15	3-215882-0	E
	37,6	26	13	2-215882-6	E
	30,0	20	10	2-215882-0	E
	24,9	16	8	1-215882-6	E
	22,4	14	7	1-215882-4	E
	17,3	10	5	1-215882-0	E
OBSOLETE	14,8	8	4	0-215882-8	C
	12,2	6	3	0-215882-6	E
OBSOLETE	9,7	4	2	0-215882-4	C
	DIM. "C"	"B" CABLE POS.	"A" DUAL POS.	PARTNUMBER	PART REV.



③ RECEPTACLE CONTACT	PHOSPHORBRONZE Cu Sn6	AT CONTACT-PLACE: 0,8 μm GOLD AT WIRING END: 2,5 μm TIN ENTIRE UNDERCOATING: 1,27 μm NICKEL
② COVER	THERMOPLASTIC POLYESTER GF UL 94 -V0	BLACK BK015 (ONLY FOR REF.)
① HOUSING		
COMPONENT NAME	MATERIAL	PLATING / COLOUR

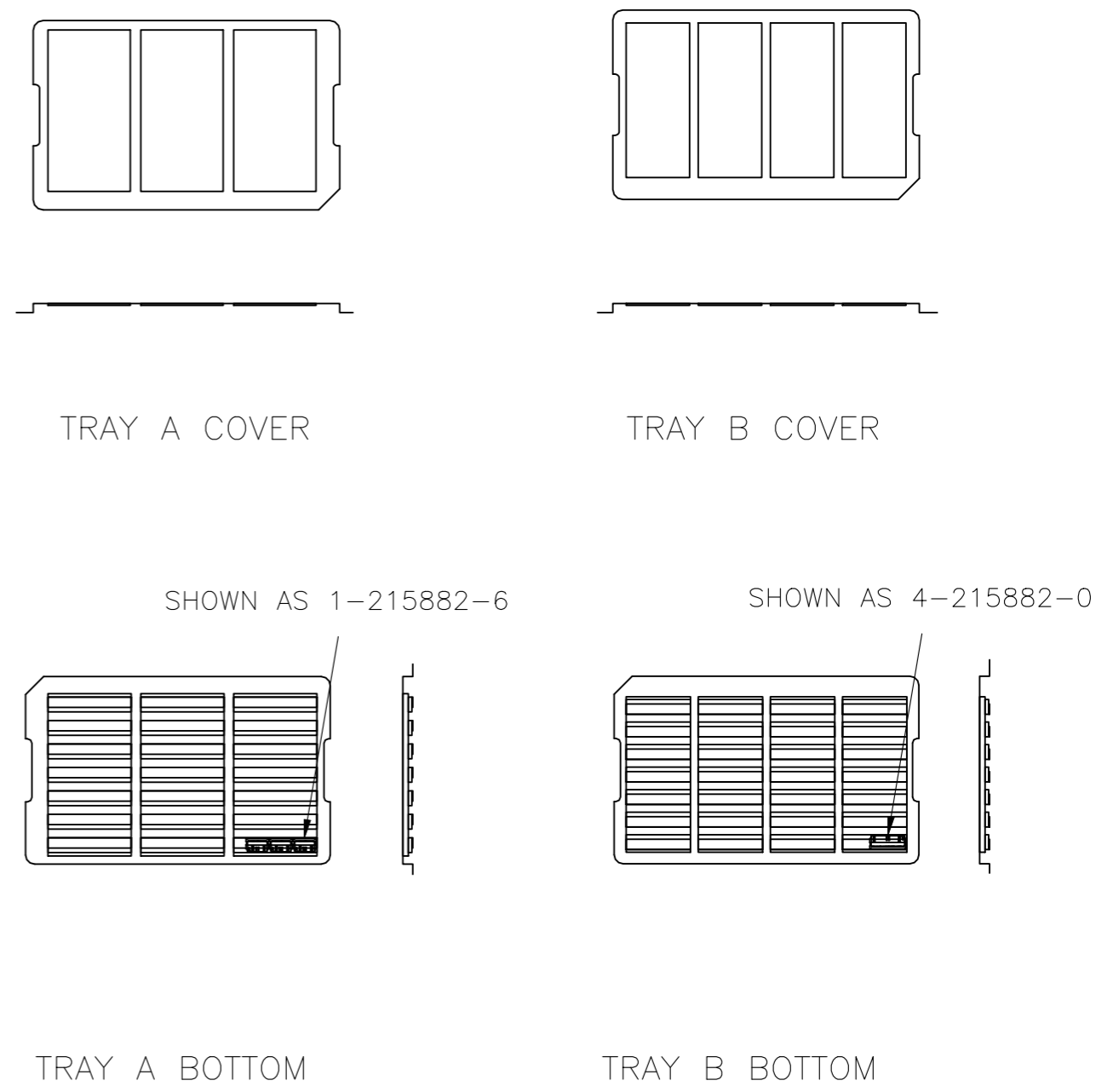
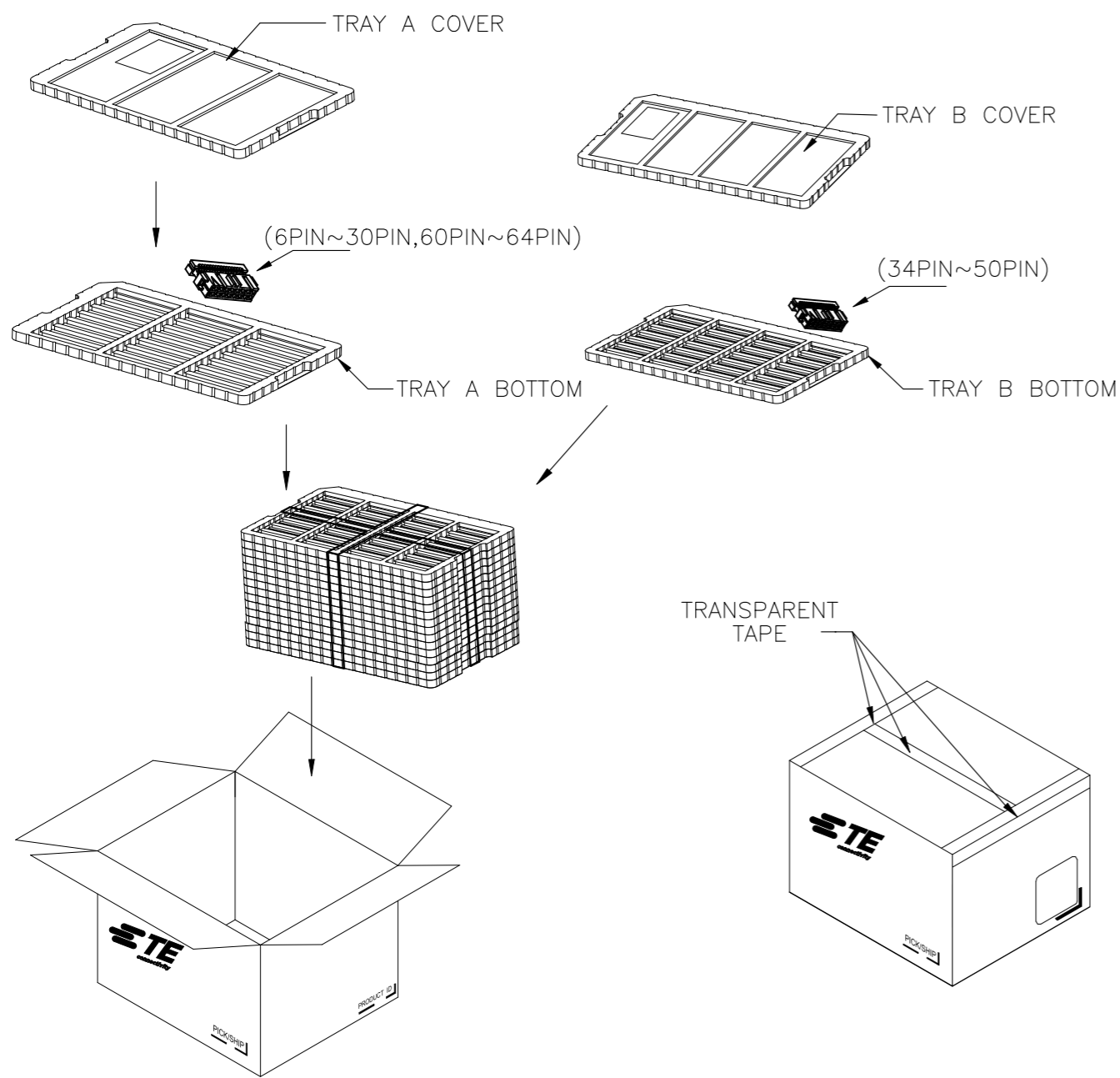
THIS DRAWING IS A CONTROLLED DOCUMENT.


DIMENSIONS: mm	TOLERANCES UNLESS OTHERWISE SPECIFIED:	DWN W.R.VERBEET 02FEB1988	TE Connectivity Ltd.
	0 PLC ± -	CHK R.VERSTIJNEN 03FEB1988	
	1 PLC ± -	APVD L.V.SOEST 03FEB1988	
	2 PLC ± -	NAME	
MATERIAL SEE TABLE	FINISH SEE TABLE	PRODUCT SPEC -	AMP-LATCH_MIL-TYPE RECEPTACLE_CONNECTOR ASSEMBLY_(SYMMETRIC_COVER)
		APPLICATION SPEC -	SIZE A3
		WEIGHT -	CAGE CODE 00779
			DRAWING NO C-215882
			RESTRICTED TO -
			SCALE 4:1
			SHEET 1 OF 2
			REV G1

CUSTOMER DRAWING

REVISIONS					
P	LTR	DESCRIPTION	DATE	DWN	APVD
-	-	SEE SHEET 1	-	-	-

PACKAGING SPECIFICATION



THIS DRAWING IS A CONTROLLED DOCUMENT.		DWN W.R.VERBEET 02FEB1988	 TE Connectivity Ltd.																
DIMENSIONS: mm		CHK R.VERSTIJNEN 03FEB1988																	
TOLERANCES UNLESS OTHERWISE SPECIFIED:		APVD L.V.SOEST 03FEB1988	NAME AMP-LATCH_MIL-TYPE RECEPTACLE_CONNECTOR ASSEMBLY_(SYMMETRIC_COVER)																
<table border="0"> <tr><td>0 PLC</td><td>± -</td></tr> <tr><td>1 PLC</td><td>± -</td></tr> <tr><td>2 PLC</td><td>± -</td></tr> <tr><td>3 PLC</td><td>± -</td></tr> <tr><td>4 PLC</td><td>± -</td></tr> <tr><td>ANGLES</td><td>± -</td></tr> </table>		0 PLC	± -	1 PLC	± -	2 PLC	± -	3 PLC	± -	4 PLC	± -	ANGLES	± -	PRODUCT SPEC -	APPLICATION SPEC -	SIZE A3	CAGE CODE 00779	DRAWING NO C-215882	RESTRICTED TO -
0 PLC	± -																		
1 PLC	± -																		
2 PLC	± -																		
3 PLC	± -																		
4 PLC	± -																		
ANGLES	± -																		
MATERIAL -		FINISH -	WEIGHT -	CUSTOMER DRAWING		SCALE -	SHEET 2 OF 2	REV G1											