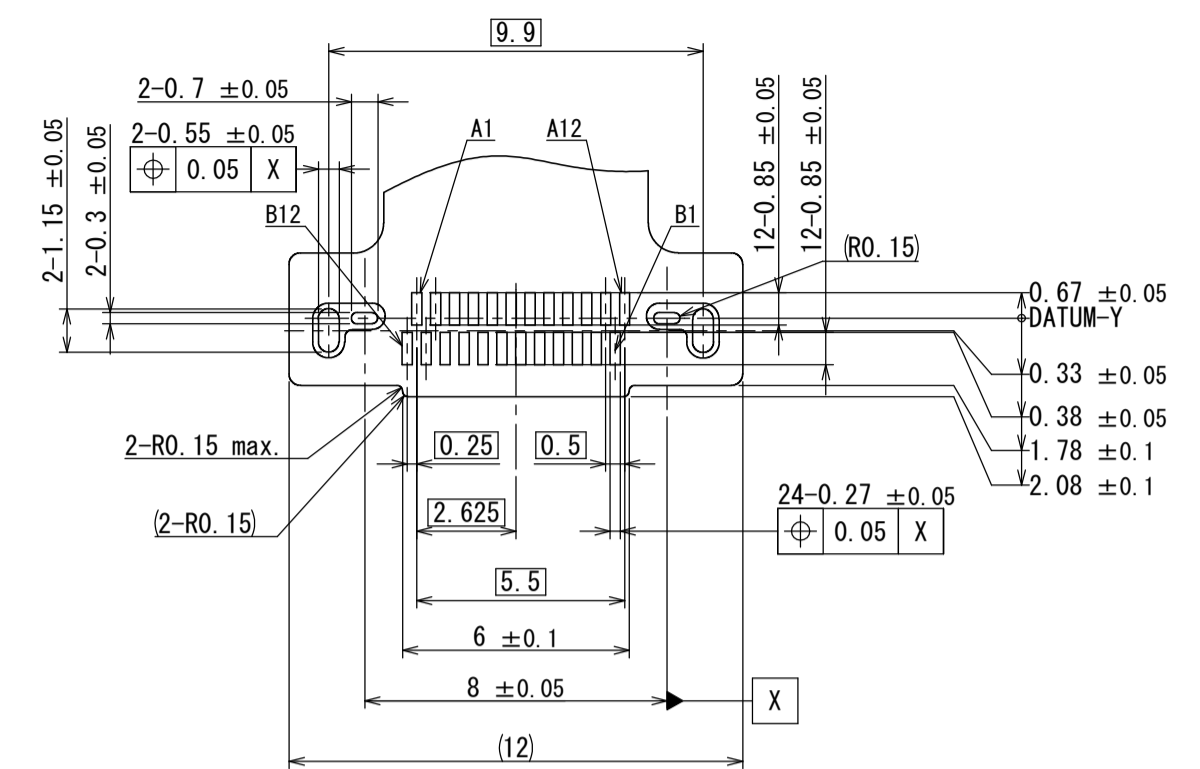
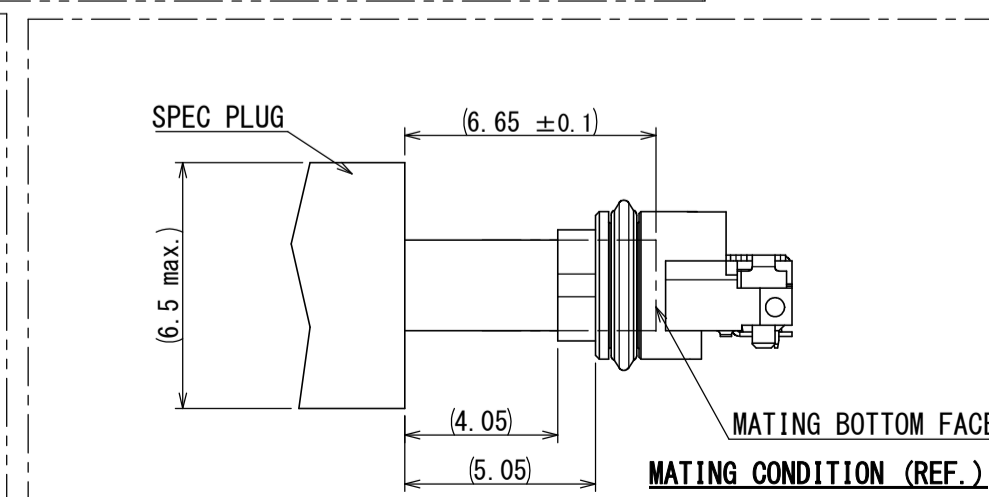
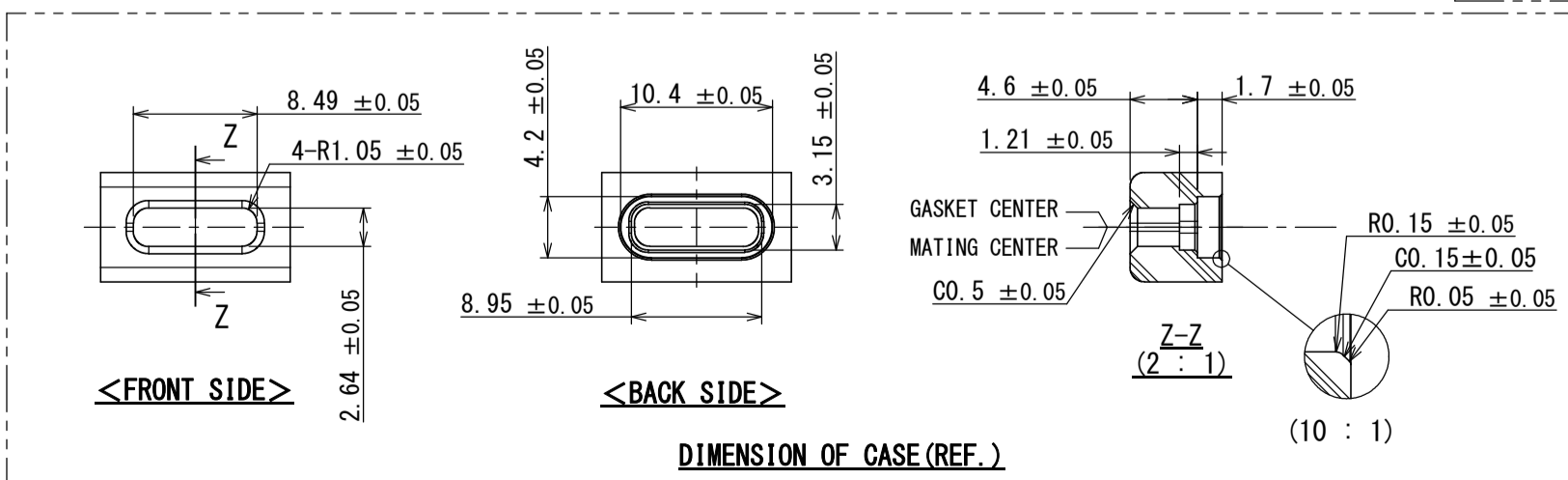
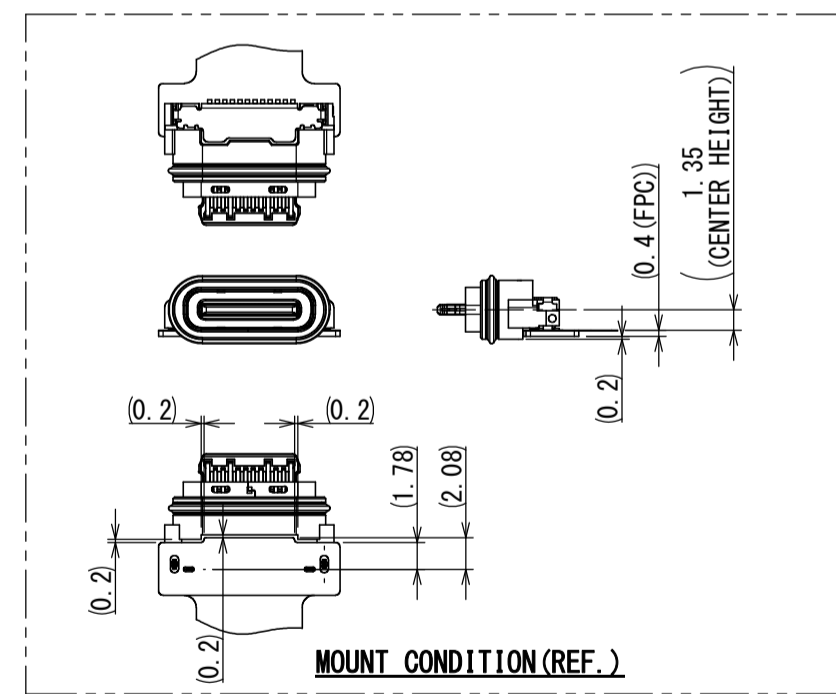
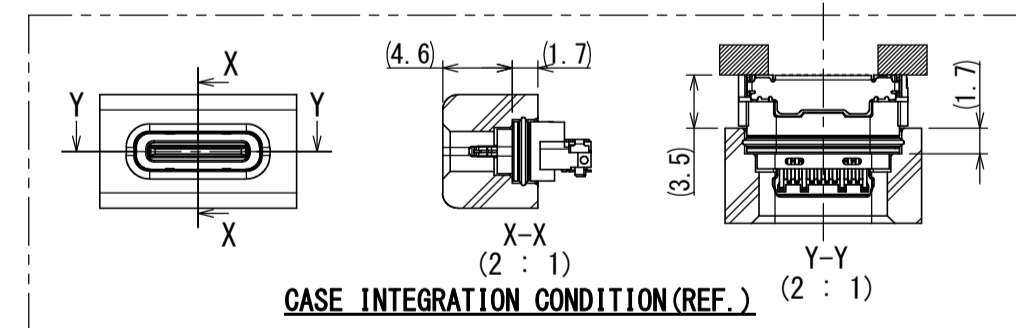
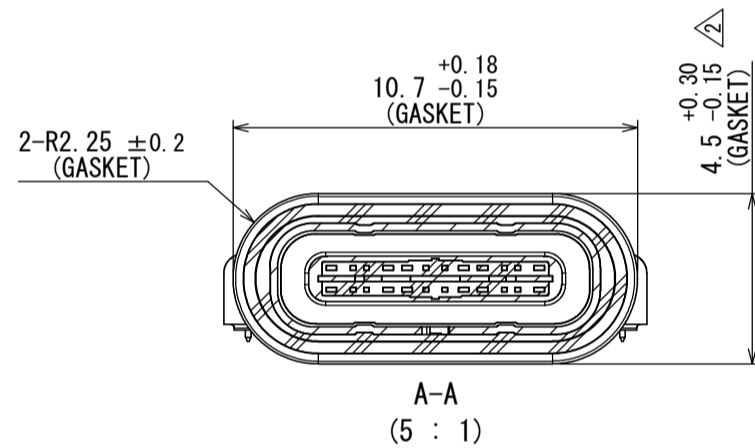
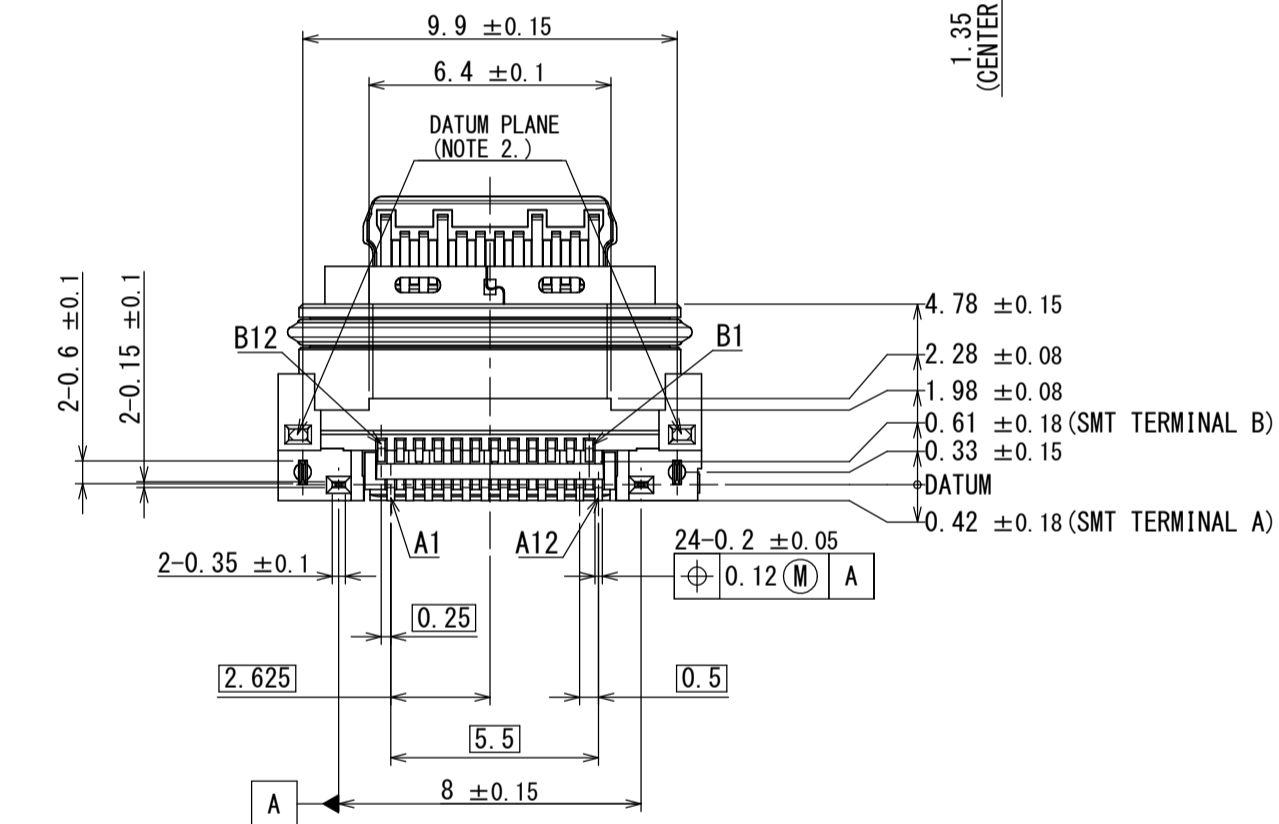
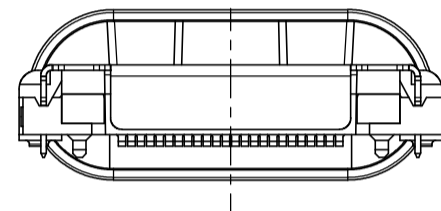
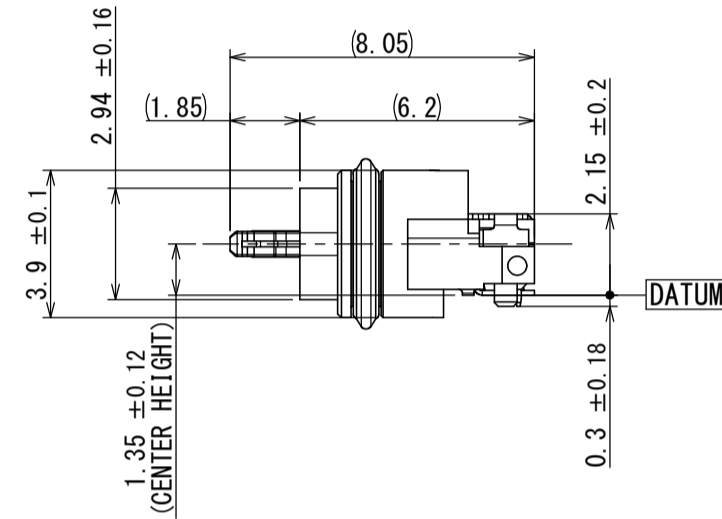
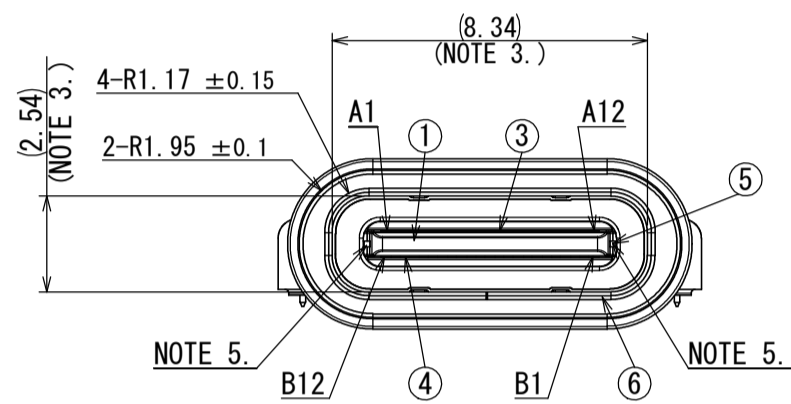
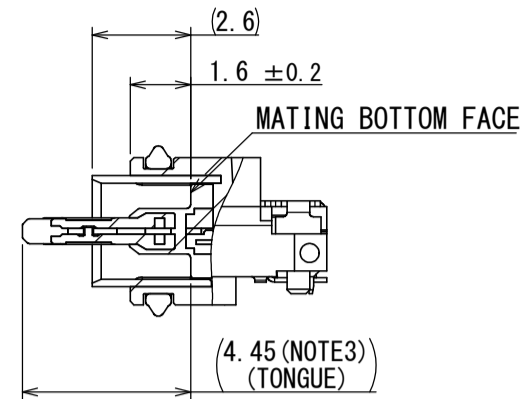
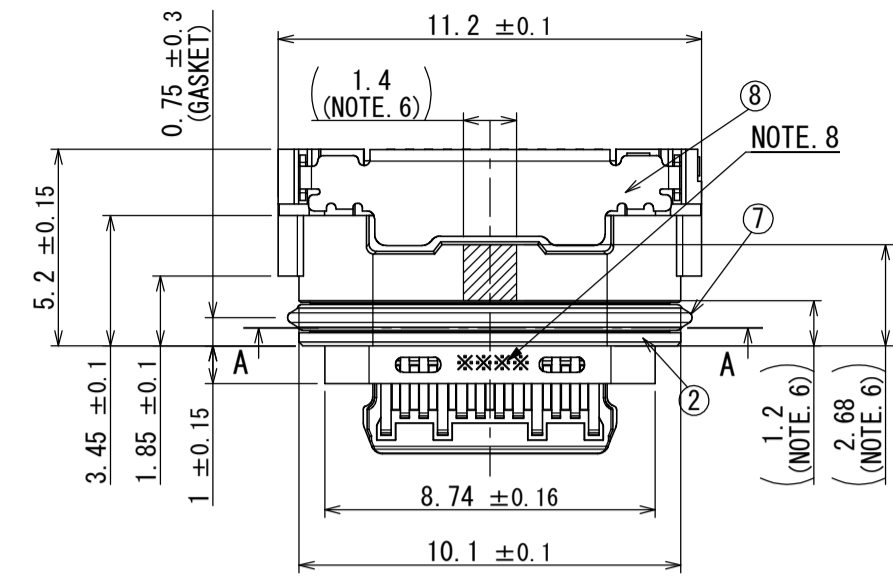


版数 VER.	年月日 DATE	図号 CN NO.	変更内容 DESCRIPTION	製図 DR.	担当 CHK.	査閲 APPD.	承認 APPD.
2	07/SEP/2018	026499	PRESCRIPTIVE RECONSIDERATION		T. KUROSAWA	H. OOTANI	M. KIKUCHI



APPLICABLE P.C.B. DIMENSION (REF.)
SURFACE VIEW FROM CONNECTOR MOUNTING SIDE.

- NOTE 1. COPLANARITY OF SMT TERMINAL BE 0.1 MAXIMUM.
NOTE 2. THIS FACE IS DATUM PLANE.
NOTE 3. MATING DIMENSIONS CONSIST OF "Universal Serial Bus Type-C Cable and Connector Specification Revision 1.2"
NOTE 4. THE SHELL LENGTH IS LESS THAN THE MINIMUM SPECIFIED BY THE USB TYPE C STANDARD. AS SUCH IT CANNOT INDEPENDENTLY BE GUARANTEED TO MEET ALL TYPE C MECHANICAL REQUIREMENTS. THE SYSTEM IMPLEMENTER IS RESPONSIBLE FOR ACHIEVING PRODUCT RELIABILITY AND PASSING USB COMPLIANCE TESTING. REFERENCE THE USB TYPE C SPECIFICATION RELEASE 1.2, SECTION 3.2.1, NOTE 7.
NOTE 5. METAL EXPOSED AREA SIZE COULD BE SLIGHTLY CHANGED BASED ON MOLDING PROCESS CONDITION IN EACH LOT. HOWEVER THIS WOULD NOT AFFECT CONNECTOR FUNCTION.
NOTE 6. VACUUM AREA.
NOTE 7. PIN ASSIGNMENT (FRONT VIEW)

Pin No.	A1	A2	A3	A4	A5	A6	A7	A8	A9	A10	A11	A12
	GND	TX1+	TX1-	V _{BUS}	CC1	D+	D-	SBU1	V _{BUS}	RX2-	RX2+	GND
Pin No.	B12	B11	B10	B9	B8	B7	B6	B5	B4	B3	B2	B1
	GND	RX1+	RX1-	V _{BUS}	SBU2	D-	D+	CC2	V _{BUS}	TX2-	TX2+	GND

NOTE 8. LOT NO. IS MARKED AS SHOWN IN BELOW TABLE.

YEAR (1 DIGIT)	MONTH (1 DIGIT)	DAY	MARKING	DAY	MARKING	DAY	MARKING	DAY	MARKING	LINE (1 DIGIT)	LINE	MARKING	
2018	8	1	1	1	1	11	B	21	M	31	Y	Manual	0
2019	9	2	2	2	2	12	C	22	N			1	1
2020	0	*	*	3	3	13	D	23	P			2	2
2021	1	*	*	4	4	14	E	24	Q			*	*
2022	2	*	*	5	5	15	F	25	R			*	*
2023	3	*	*	6	6	16	G	26	S			*	*
2024	4	9	9	7	7	17	H	27	T			*	*
2025	5	10	A	8	8	18	J	28	U			*	*
2026	6	11	B	9	9	19	K	29	V				
2027	7	12	C	10	A	20	L	30	X				

NOTE 9. THE P.C.B. LAYOUT IS ONLY FOR REFERENCE. ACTUAL PCB DESIGN (INCLUDING DIMENSION AND TOLERANCE) IS SUPPOSED TO BE INVESTIGATED BY DEVICE MANUFACTURER.

8	REAR SHIELD	1	STAINLESS STEEL	NICKEL PLATING	-
7	GASKET	1	SILICONE RUBBER	-	COLOR: RED
6	SHELL	1	STAINLESS STEEL	-	-
5	MID PLATE	1	STAINLESS STEEL	NICKEL PLATING	-
4	CONTACT B	12	COPPER ALLOY	CONTACT AREA: GOLD OVER NICKEL SOLDER TAILS: GOLD FLASH OVER NICKEL	CONTACT AREA: NICKEL: 1 μm MIN GOLD: 0.1 μm MIN
3	CONTACT A	12	COPPER ALLOY	CONTACT AREA: GOLD OVER NICKEL SOLDER TAILS: GOLD FLASH OVER NICKEL	CONTACT AREA: NICKEL: 1 μm MIN GOLD: 0.1 μm MIN
2	SUB ASSEMBLY INSERT MOLD	1	HEAT RESISTING PLASTIC	-	COLOR: BLACK
1	MID PLATE INSERT MOLD	1	HEAT RESISTING PLASTIC	-	COLOR: BLACK

仕様書 (SPECIFICATION) JACS-30398 JABL-30398	第1版 (ORIGINAL DATE) 25/MAY/2018	尺度 (SCALE) 5:1	シリーズ (SERIES) DX07	備考 日本航空電子工業株式会社
製図 DR.	担当 CHK.	名称 (TITLE) DX07W024JA2		
一般公差 (GENERAL TOLERANCE) 寸法 (DIMENSION): × ± 0.8 × × ± 0.4 × × × ± 0.1 × × × ±	製図 DR.	担当 CHK.	図面番号 (DRAWING NO.) SJ119766	
角度 (ANGLES): ×° ± ×° ×' ±	製図 DR.	担当 CHK.	質量 (MASS)	
単位 (UNIT): mm	承認 APPD.	承認 APPD.	版数 (VER.) 2	