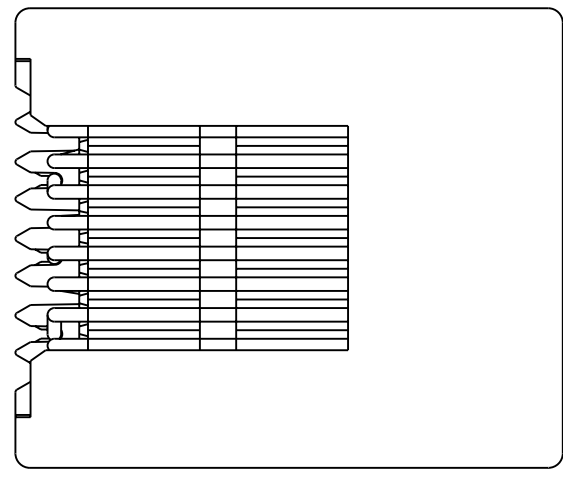
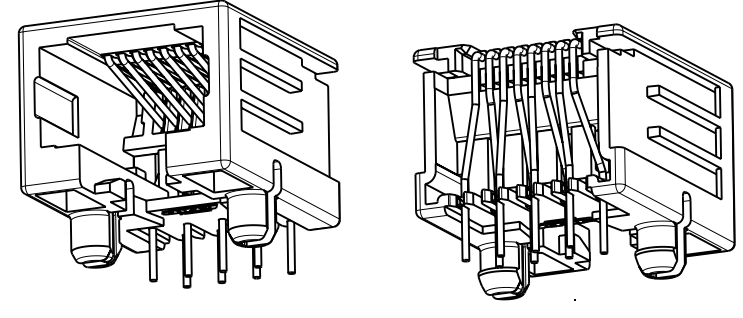
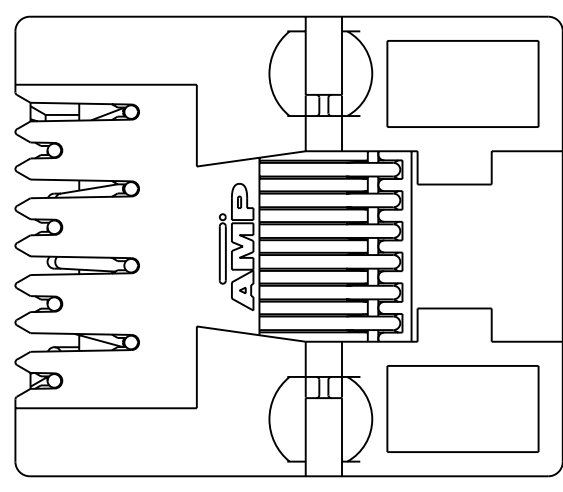
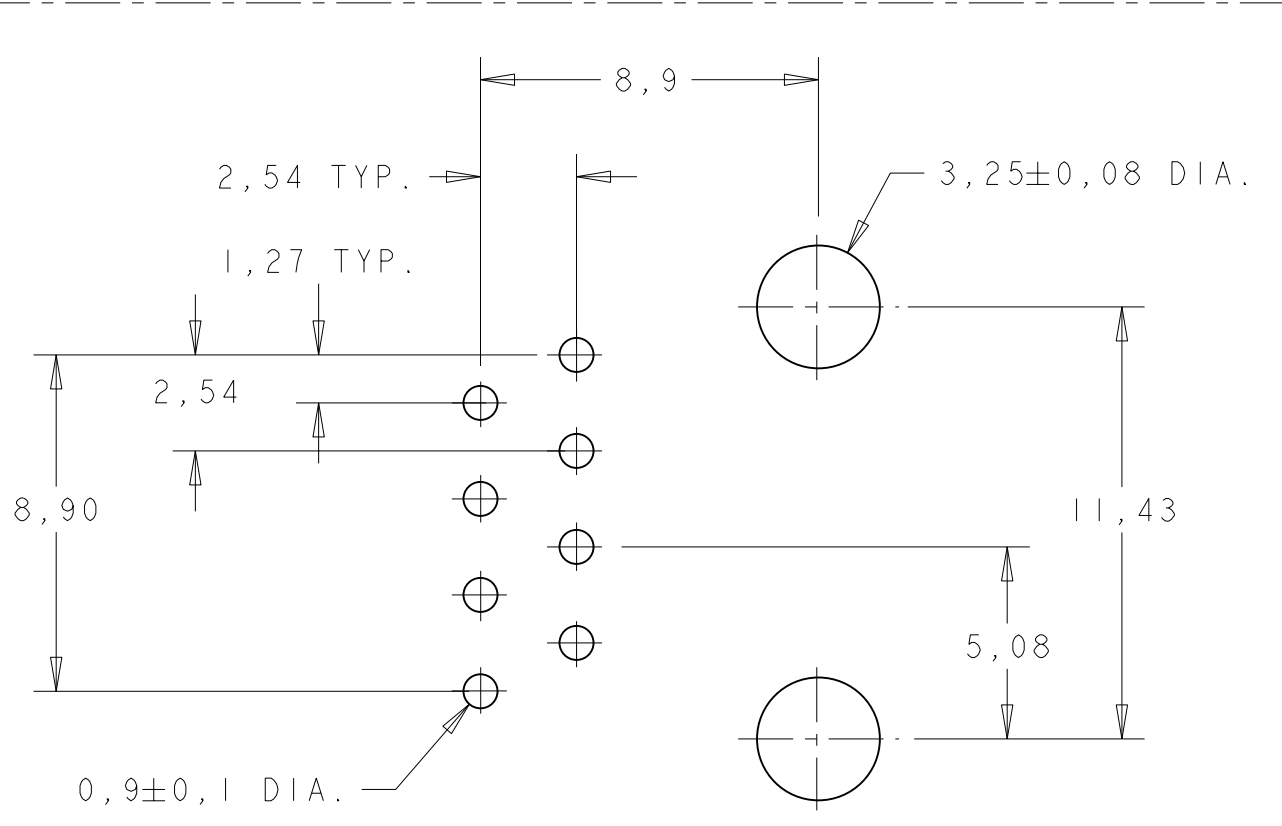
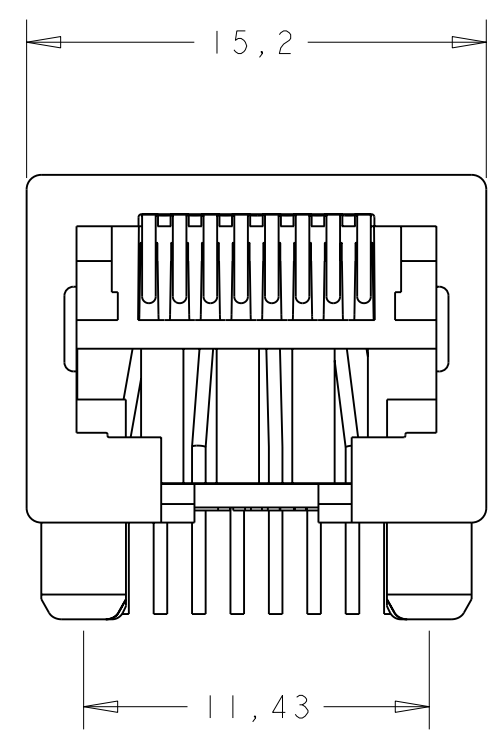
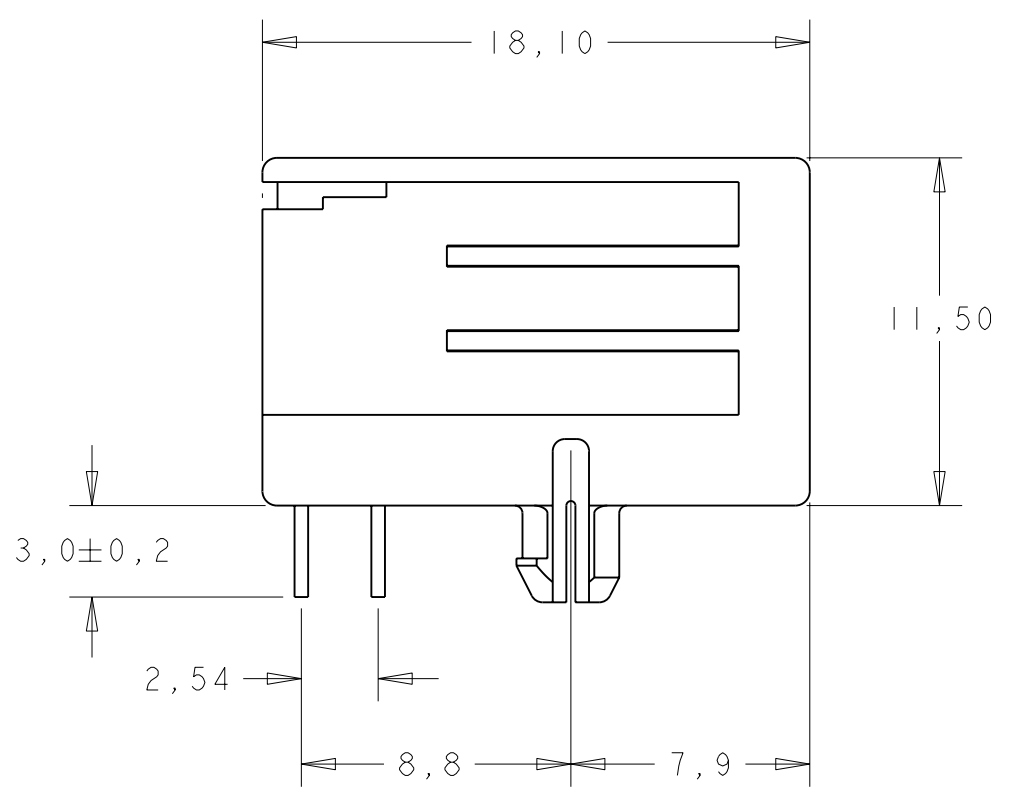
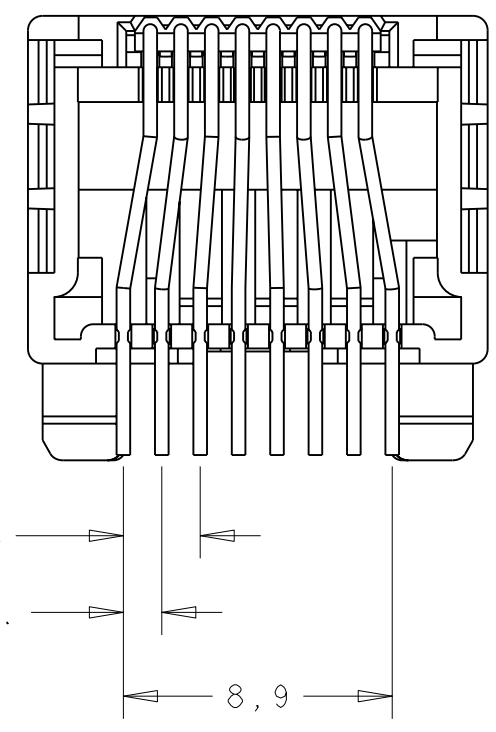


THIS DRAWING IS UNPUBLISHED. RELEASED FOR PUBLICATION
 © COPYRIGHT 20 BY TE CONNECTIVITY ALL RIGHTS RESERVED.

LOC	DIST	REVISIONS					
		P	LTR	DESCRIPTION	DATE	DWN	APVD
1R	-	B2		DURABILITY CYCLE UPDATED AFTER TESTING	26AUG2011	PS	RRP
-	-	-	-	-	-	-	-
-	-	-	-	-	-	-	-
-	-	-	-	-	-	-	-



NOTE:
 1. TOLERANCE UNLESS OTHERWISE SPECIFIED: $\pm 0,15$.
 2. DURABILITY IS 200 CYCLES MAX ACCORDING TO TEST REPORT 502-19807 THIS WILL TAKE PRECEDENCE OVER THE PRODUCT SPECIFICATION.



200 PIECES IN A TRAY	8 POS./8 CONTACTS	IN CONTACT AREA: 0,15µm MIN. SEL. GOLD OVER 1,2µm MIN. NICKEL. SOLDER TINES: 2,5µm MIN. TIN OVER 1,2µm MIN. NICKEL.	HSG COLOR: GREY PBT. UL 94V-0	PBT. UL 94V-0	PH BRONZE	1705951-4
1000 PIECES IN A BOX			HSG COLOR: GREY PBT. UL 94V-0	PBT. UL 94V-0	PH BRONZE	1705951-3
1000 PIECES IN A BOX			HSG COLOR: BLACK PBT. UL 94V-0	PBT. UL 94V-0	PH BRONZE	1705951-2
200 PIECES IN A TRAY			HSG COLOR: BLACK PBT. UL 94V-0	PBT. UL 94V-0	PH BRONZE	1-1705951-1
TAPE MOUNTED 700 PCS./REEL			HSG COLOR: BLACK PBT. UL 94V-0	PBT. UL 94V-0	PH BRONZE	1705951-1
PACKAGING	FINISH	MATERIAL	HOUSING	CONTACT INSERT	CONTACTS	PART NUMBER

THIS DRAWING IS A CONTROLLED DOCUMENT.

DWN	J. V. D. HEIJDEN	TE Connectivity NAME MODULAR JACK SIDE ENTRY, 8 POS FOR PRINTED CIRCUIT BOARD			
CHK	P. WILLEMS				
APVD	J. BROEKSTEEG				
PRODUCT SPEC	108-19064				
APPLICATION SPEC	114-19019	SIZE	CAGE CODE	DRAWING NO	RESTRICTED TO
MATERIAL	FINISH	WEIGHT	A260779	C-1705951	-
CUSTOMER DRAWING			SCALE	5:1	SHEET 1 OF 1 REV B2