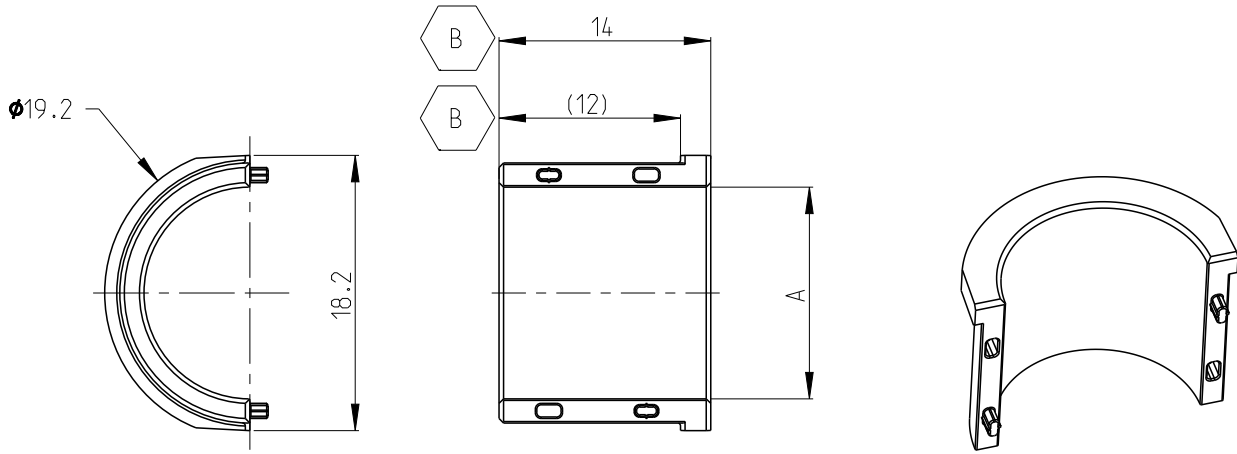


REVISIONS					
P	LTR	DESCRIPTION	DATE	DWN	APVD
	A	INITIAL DRAWING	26AUG2021	P.L	I.Y
	B	REVISE	20APR2022	C.C	Z.Z



-3 AS SHOWN

- 1 MATERIAL: PA66-GF, COLOR: SEE TABLE
- 2. BULK PACKAGED

16.7	17.3	Ø14.0	BLACK	FOR 70SQ	2395861-3
14.6	15.2	Ø11.8	NATURAL	FOR 50SQ	2395861-2
12.4	13	Ø10.0	ORANGE	FOR 35SQ	2395861-1
MIN.	MAX.				
CABLE O.D.		DIM.A	COLOR	CABLE SIZE	PART NO.

© 2021 TE Connectivity. All Rights Reserved.

DIMENSIONS: mm TOLERANCES UNLESS OTHERWISE SPECIFIED: ±0.3 0 PLC ± 1 PLC ±0.1 2 PLC ±0.01 3 PLC ±0.001 4 PLC ±0.0001 ANGLES ±	DWN P.LING 26AUG2021 CHK J.LI 26AUG2021 APVD I.YIN 26AUG2021	MATERIAL 1	FINISH /
	PRODUCT SPEC 108-160341 APPLICATION SPEC 114-160182	NAME INNER_SPACER HVP-HD1000	
WEIGHT /	SIZE A 4 CAGE CODE 00779 DRAWING NO C-2395861	RESTRICTED TO /	
CUSTOMER DRAWING			