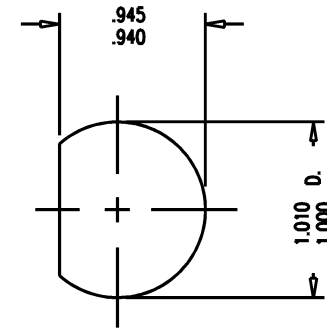
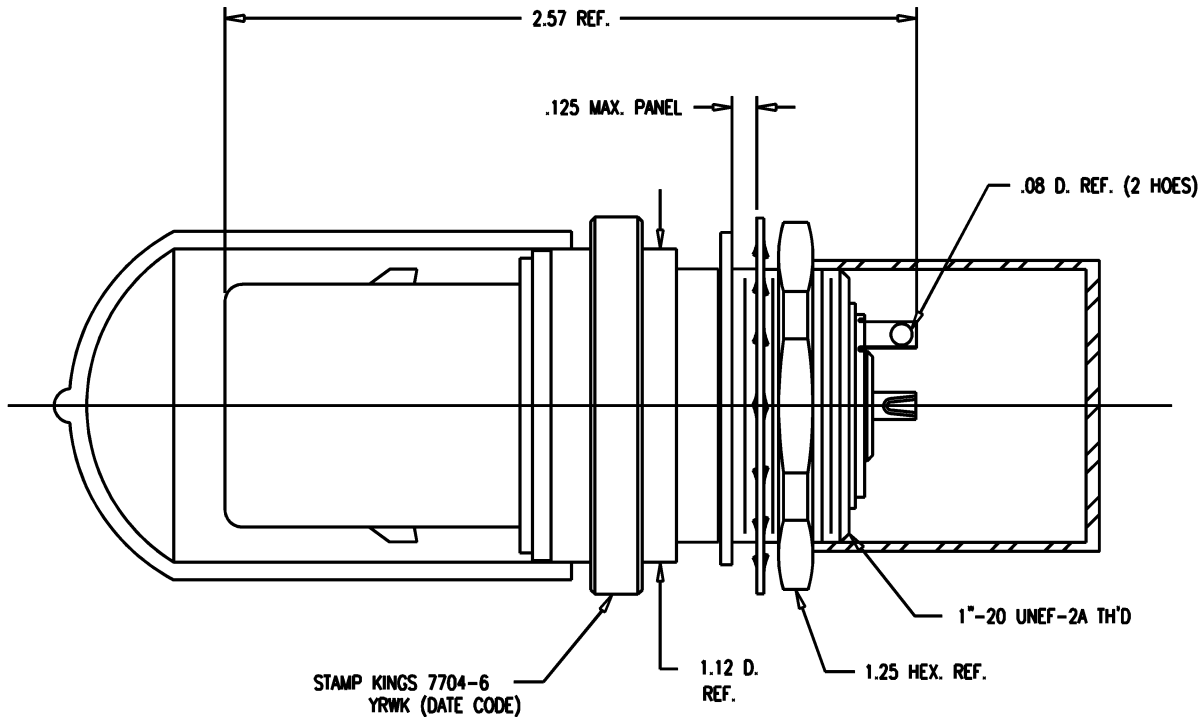


GSD



MOUNTING HOLE

GSD

7704-6

REVISIONS

ISSUE	CHANGES
0	ER 35436 KH 04/25/95
1	CN 36514 E ME 08/09/95
2	CN 37196 E KH 11/12/96
3	CN 37209 A KH 06/10/97
4	CN 37762 C HVN 01/19/99
5	CN 37779 D HVN 02/23/99
6	CN 38176 C TML 01/10/01

WAS: KAM5611 7704-6S

SCALE 2:1

APPROX SURFACE AREA

USED ON

REF: KP-8050-002-000

RCPT, BKHD, TRI-LOC,
SERIAL DIGITAL

DRAWN KH DATE 04/25/95

DESIGN DW DATE 04/26/95

APPR. DATE

KINGS
ELECTRONICS CO., INC.
ROCK HILL, SOUTH CAROLINA 29730

7704-6

- NOTES:
- MATERIALS:
 - CAPS: VINYL
 - INSULATORS: TEFLON, ASTM-D-4894
 - GASKETS: SILICONE RUBBER, ZZ-R-765
 - CONDUCTIVE GASKET: CONSIL C 87-10004, 60-70 DUROMETER
 - LOCKWASHER
 - RETAINING RING } SPRING STEEL, PER ASTM A682
 - E-RING
 - OUTER CONTACT: PHOSPHOR BRONZE, ASTM-B-103
 - BODY: BER. COPPER, ASTM-B-196
 - ALL OTHER METAL PARTS: BRASS, ASTM-B16
 - FINISHES:
 - CENTER CONTACTS: GOLD PLATE PER MIL-G-45204
 - ALL OTHER METAL PARTS: KINGS TARNISH RESISTANT NICKEL FINISH (TR-5)
 - ELECTRICAL CHARACTERISTICS:
 - FREQUENCY RANGE: DC-500 MHZ
 - NOMINAL IMPEDANCE: 75 ~W
 - VOLTAGE BREAKDOWN: CENTER CONDUCTOR/INNER GROUND: 1500 VOLTS RMS
 - INNER GROUND/OUTER GROUND: 500 VOLTS RMS