

**NEW**  

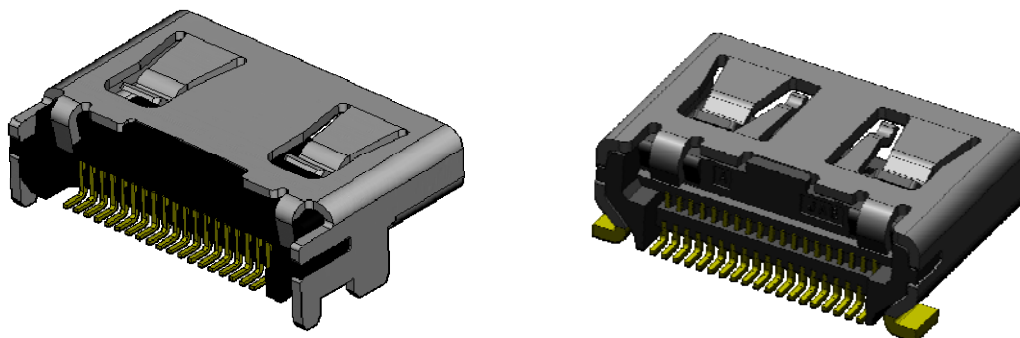

HDMI Standard Type C HDMI Mini Connector

CONNECTOR

MB-0186-2

March 2012

## DC2 Series

**RoHS Compliant**

Recently for portable devices, compatibility with high-definition digital video is becoming the standard. The DC2 series is a connector compliant with the HDMI Type C standard digital interface.

\*HDMI stands for High-Definition Multimedia Interface and is a registered trademark of HDMI Licensing, LLC.

### Features

- 0.4mm pitch, 19 position, compact connector
- Impedance-matching design compliant with high-speed transmission.
- Pin alignment designed for low cross-talk.
- Available in shell DIP type and all SMT type.

### Applicable Markets

High-definition camcorder, digital still camera (single-lens reflex, compact), tablet PC, portable game device, etc.

### General Specifications

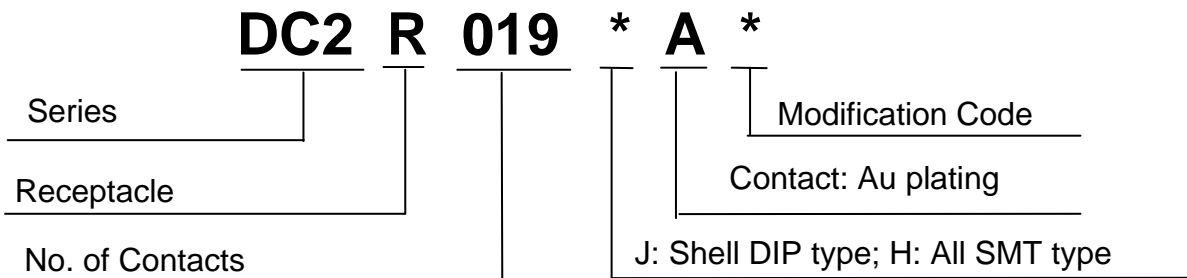
- No. of Contacts: 19 position
- Contact Resistance: Contact Area, 30m  $\Omega$  max.; Shell Area, 50m  $\Omega$  max.
- Dielectric Withstanding Voltage: AC500Vr.m.s. per minute (when not mated)
- Operating Temperature: -20 Deg. C to 85 Deg. C
- Rated Current: 0.5A max per contact
- Durability: 5,000 mating cycles
- Impedance: 100  $\Omega$   $\pm$  25% (connector area)

Materials and Finishes

Component	Material / Finish
Insulator	Heat resistant plastic
Contact	Copper alloy / Au plating over Ni
Shell	Copper alloy / Tin plating over Ni or Partial Au plating over Ni

Ordering Information

Receptacle

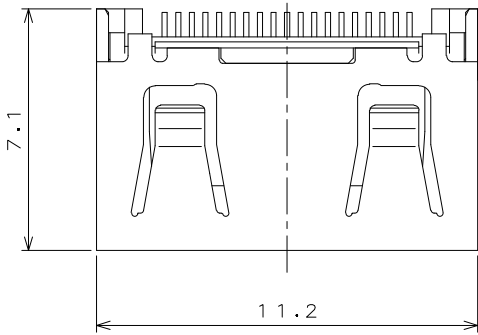


# Receptacle

## DC2R019JA5 (SJ109132)

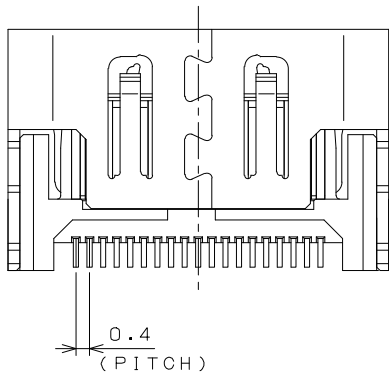
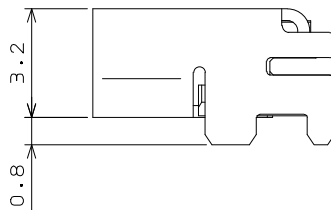
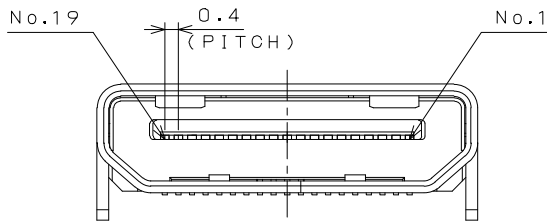
## DC2R019JA7 (SJ109296)

**Shell DIP Type**

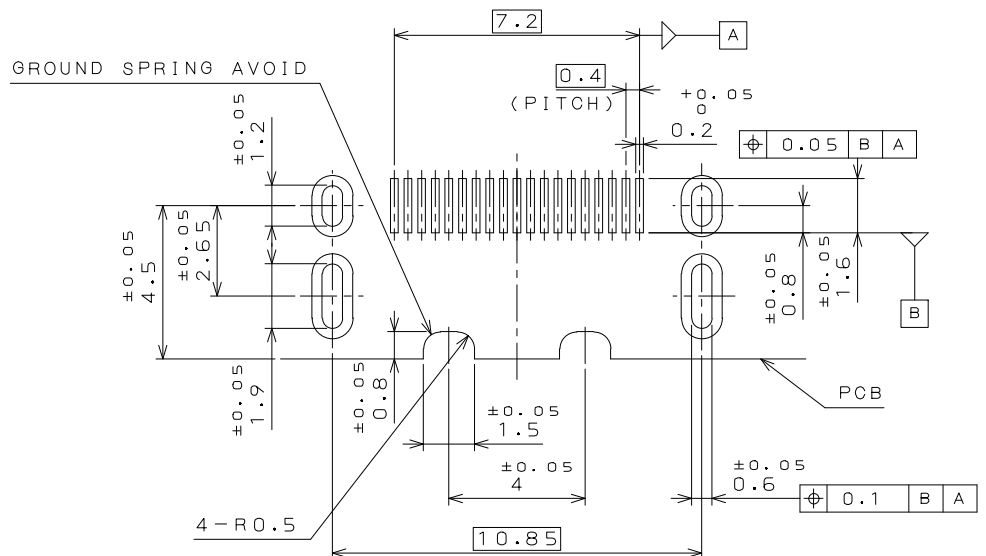


**DC2R019JA5 is different from DCR019JA7 on insulator material only.**

Part Number	Insulator Material
DC2R019JA5	9T Nylon (UL94 HB)
DC2R019JA7	9T Nylon (UL94 V0)



\*Please refer to SJ drawing when considering this product.



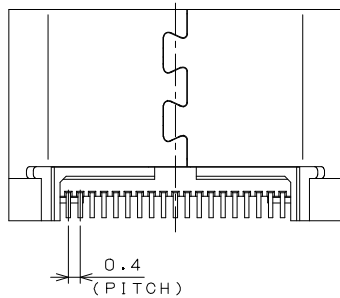
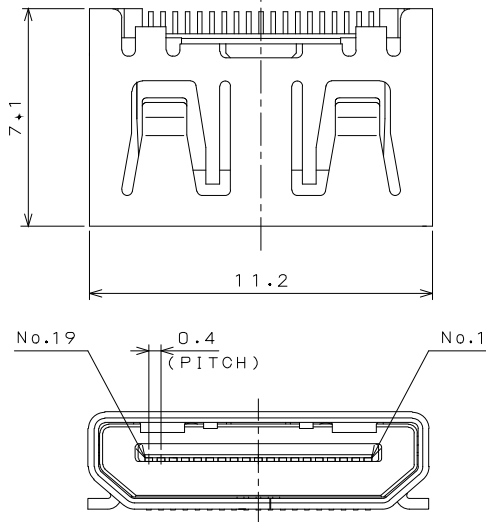
### Applicable Board Dimension



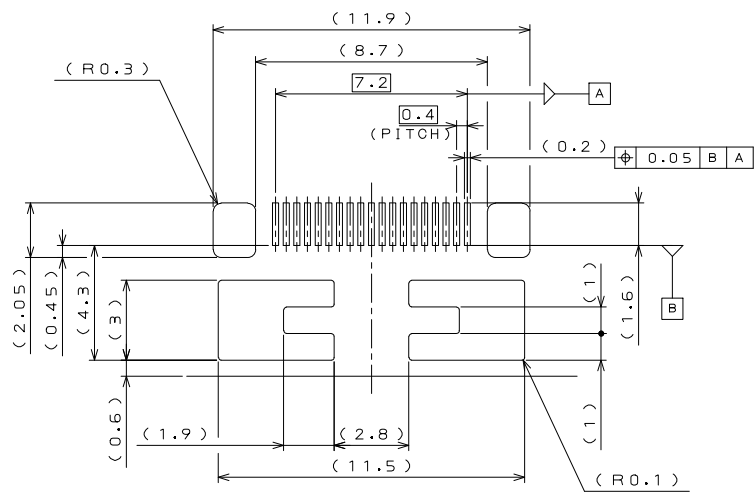
# Receptacle

## DC2R019HA2 (SJ111176)

All SMT Type



\*Please refer to SJ drawing when considering this product.



### Applicable Board Dimension

**Notice:** Products shown in this brochure are made for the applications listed below. However, if the above-mentioned products are to be used in aerospace devices, marine cable-connection devices, atomic power control systems, medical equipment for life-support systems, or any other specific application requiring extremely high reliability, please contact JAE for further information.

Recommended applications: Computers, Office machines, Measuring devices, Telecommunication devices (Terminals, Mobile devices), AV devices, Household applications, FA devices, etc.

**Japan Aviation Electronics Industry, Limited**

Product Marketing Division  
 Aobadai Building, 3-1-19, Aobadai, Meguro-ku, Tokyo 153-8539  
 Phone: +81-3-3780-2787 FAX: +81-3-3780-2946