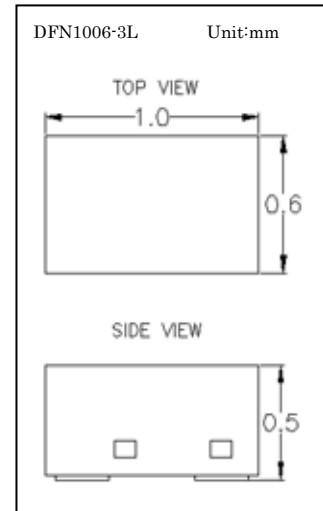
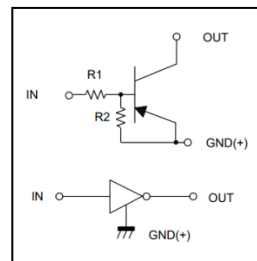


DATA SHEET(Preliminary)
DTA114D2

- ◇ Epitaxial planar die construction
- ◇ Operating and Storage Junction Temperatures: -55°C to 150°C
- ◇ RoHS compliant / Green EMC
- ◇ Built-In Biasing Resistors

Device	Marking
DTA114D2	14

Equivalent Circuit


Maximum Ratings (Ta = 25 °C)

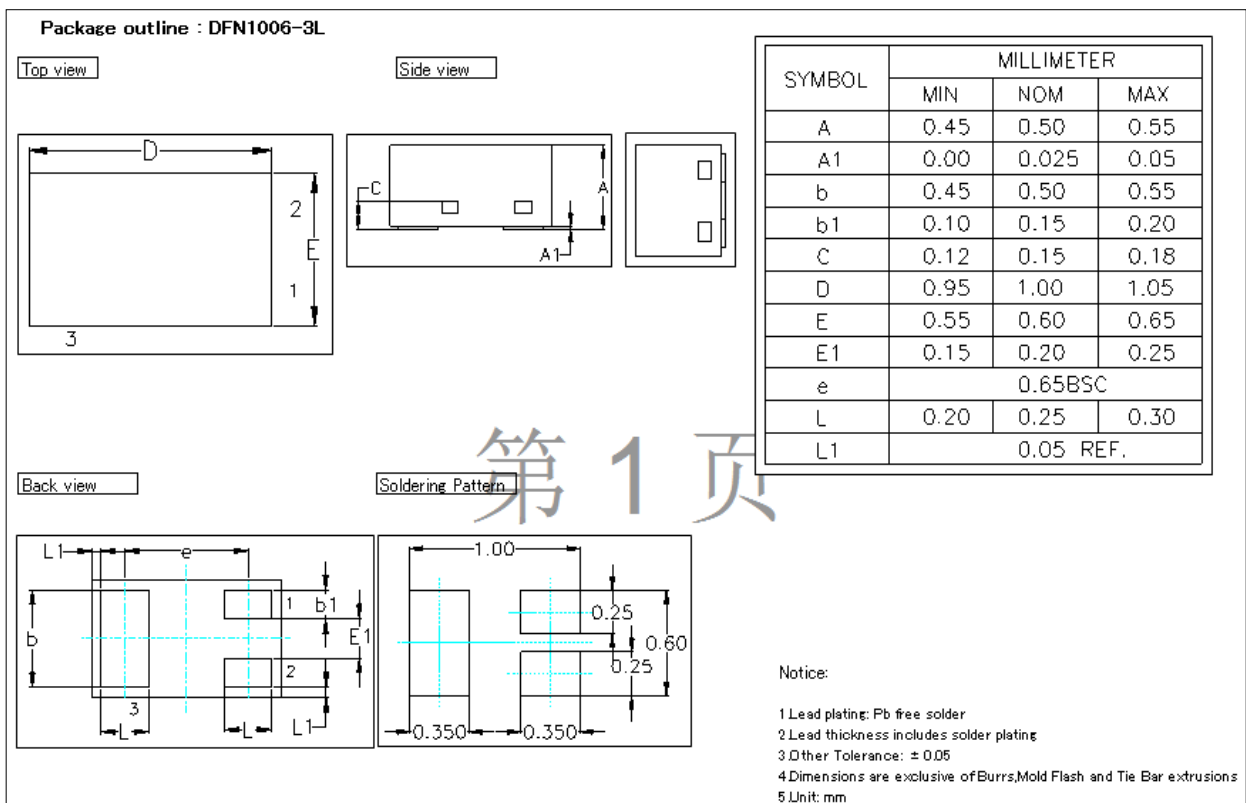
Symbol	Parameter	Value	Units
V_{CC}	Supply Voltage	-50	V
V_{IN}	Input Voltage	-40 ~ +10	V
I_O	Output Current	-50	mA
I_{CM}	Peak Collector Current	-100	mA
P_D	Power Dissipation	150	mW
T_j	Junction Temperature	150	$^{\circ}\text{C}$
T_{stg}	Storage Temperature	-55 ~ +150	$^{\circ}\text{C}$

Electrical Characteristics (Ta = 25 °C)

Symbol	Parameter	Test Conditions	Min	Typ	Max	Units
$V_{I(off)}$	Input Voltage	$V_{CC} = -5V, I_O = -100 \mu A$	-0.5			V
$V_{I(on)}$		$V_O = -0.3V, I_O = -10mA$			-3	V
$V_{O(on)}$	Output Voltage	$I_O/I_I = -10mA / -0.5mA$			-0.3	V
I_I	Input Current	$V_I = -5V$			-0.88	mA
$I_{O(off)}$	Output Current	$V_{CC} = -50V, V_I = 0$			-0.5	μA
G_1	DC Current Gain	$V_O = -5V, I_O = -5mA$	30			
R_1	Input Resistance		7	10	13	k Ω
R_2/R_1	Resistance Ratio		0.8	1	1.2	
f_T	Transition Frequency	$V_{CE} = -10V, I_O = -5mA, f = 100MHz$		250		MHz

Ordering Information

Device	Package	Shipping	Tape wide	Emboss pitch	Tape specification	Notes
DTA114D2	DFN1006-3L	Tape & Reel 10000pcs /7" Reel	8mm	4mm	Conductive	

Package Dimensions

NOTICE

POPPULA'S PRODUCTS ARE NOT AUTHORIZED FOR USE AS COMPONENTS IN ANY LIFE SUPPORT DEVICES OR SYSTEMS.

POPPULA reserve the right to make modifications enhancements improvements corrections or other changes without further notice to any product herein. POPPULA does not assume any liability arising out of the application or use of any product described herein.