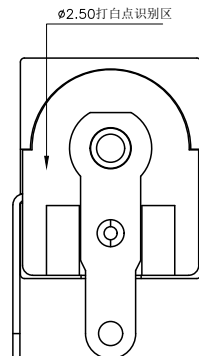
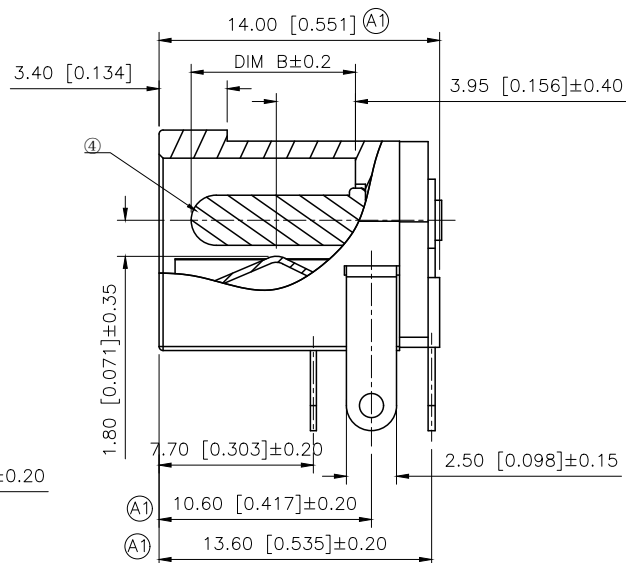
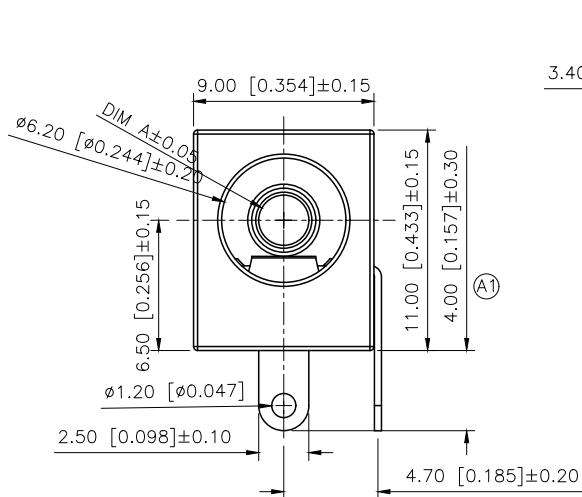
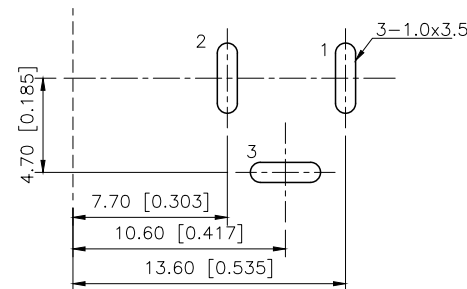
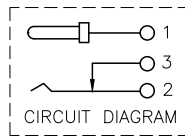
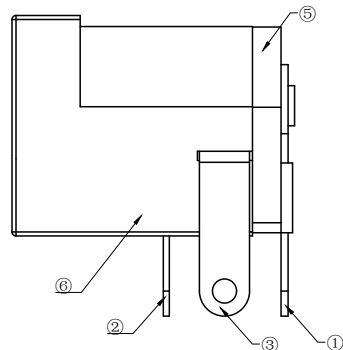
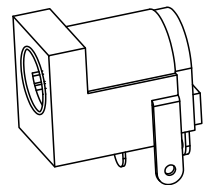


REVISIONS					
REV.	ECN NO.	LOCATION	DESCRIPTION	DATE	DESIGN
A0	N/A		INITIAL RELEASE	2024.02.20	/
A1	N/A	(A1) X4	尺寸变更, 图面升级整理图面	2025.04.22	阿树



SPECIFICATIONS:

- ELECTRICAL CHARACTERISTICS:
  - 1-1. RATING: 57V, 5A .
  - 1-2. CONTACT RESISTANCE: 50 MILLIOHMS Max. FOR INITIAL, 80 MILLIOHMS Max. AFTER 5000 CYCLES.
  - 1-3. INSULATION RESISTANCE: 100 MEGAOHMS Min. BY 500V DC AFTER 1 MINUTE.
  - 1-4. DIELECTRIC WITHSTANDING VOLTAGE: 500V RMS AFTER 1 MINUTE.
- MECHANICAL CHARACTERISTICS:
  - 2-1. INSERTION FORCE : 0.3~3.0 KGF(2.94~29.4N)
  - 2-2. WITHDRAWAL FORCE : 0.3~3.0 KGF(2.94~29.4N)
  3. LIFE TEST: 5,000 CYCLES MIN.

DC-005-5A-2.5	2.50 mm	7.90 mm
DC-005-5A-2.0	2.00 mm	8.30 mm
PART NO.	DIM A	DIM B

⑥	HOUSING	1	PBT UL94V-0	Black	AuGLAR	±5°
⑤	COVER	1	PBT UL94V-0	Black		
④	CEN PIN	1	H65	Ni 30U"	X.	±0.40
③	TERMINAL 3#	1	C2680 T=0.35	Sn 80U"Over Ni 30U"	X.x	±0.30
②	TERMINAL 2#	1	C5210 T=0.30	Sn 80U"Over Ni 30U"	X.xx	±0.20
①	TERMINAL 1#	1	C2680 T=0.35	Sn 80U"Over Ni 30U"	X.xxx	±0.15
No.	PART NAME	QTY	MATERIAL(THICK)	PLATING(COLOR)	UNSPECIFIED TOLERANCES	
			www.helloxkb.com	www.helloxkb.cn	www.xk-dg.cn	



DESIGN	阿树	VIEW:		MODEL TYPE:	DC POWER JACK
CHECKED		UNIT:	mm/in	PART NO.:	DC-005-5A-X
APPROVED		SIZE:	A4	DWG NO.:	

XKB INDUSTRIAL PRECISION CO., LIMITED

SCALE	PAGE	REVISION
N/A	1/1	A1