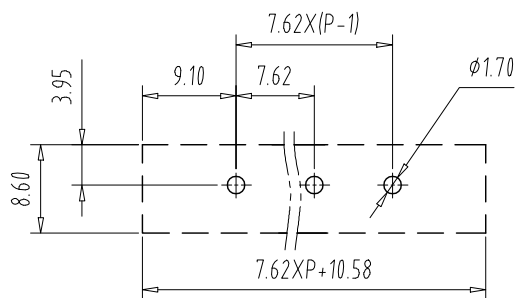
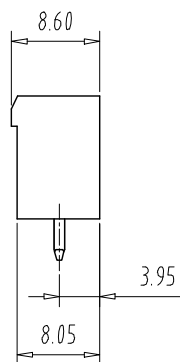
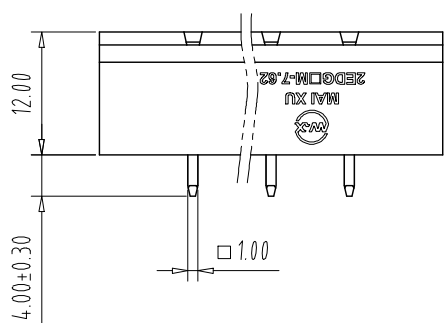
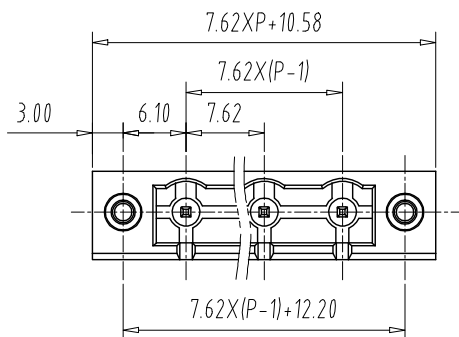


注: 未经允许禁止传输、复制、编辑该文档, 以及利用其内容进行交流

REV	E.C.N. NO.	CONTENT	CHK	DATE



PCB Layout

NOTES1:

UL Standard

Use group	B	C	D
Rated Current	15A	/	10A
Rated Voltage	300V	/	300V

2.withstanding voltage: AC1600V/1Min

IEC Standard

Pollution Degree	3	2	2
Overvoltage Category	III	III	II
Rate Impulse Voltage(KV)	/	4.0KV	/
Rate Voltage(V)	/	400V	/
Rate Current(A)	/	15A	/

NOTES2:

1.Housing: PA66 (UL94V-0)

2.Solder Pin: Brass (Sn Plated)

3.Nut: Brass (M2.5)

NOTES3:

1.Pitch: 7.62mm Poles: 02-24P

2.Operating temperature:  $-40^{\circ}\text{C} \sim +105^{\circ}\text{C}$

3.RoHS Compliance

How to order

MX2EDGVM - 7.62 - XXP - XXXX - X - X

产品型号 | 间距 | 极数 | 01:常规颜色 | A-Z其他定制

颜色: 02-99: 定制颜色 | Cu:铜 | Fe:铁

灰色:GY 橙色:OE 蓝色:BU 红色:RD 黑色:BK 透明色:TT 绿色:GN 黄色:YW 透明色:TT 白色:WE

Pitch Range In mm			Nominal Dimension Range In mm					—	∩	▱
TO	Over 6 TO	Over 10 TO	TO	Over 30 TO	Over 60 TO	Over 100 TO	Over 150 TO	0.1/10		
6	10	24	30	60	100	150	1.30	∠		
±0.15	±0.20	±0.30	±0.30	±0.50	±0.70	±1.00	±1.30	±2°		

ITEM	NAME OF PART	NO. OF PART	Q"TY	MATERIAL	NOTE
DWG.	CKK	DATE	23.06.20	UNITS	MM   SHEET/OF
CHK.		DATE		SCALE	1:1   A4
APP.		DATE			
	CIXI MAIXU ELECTRONICS CO.,LTD.			NAME	MX2EDGVM-7.62-XXP
	慈溪市迈旭电子有限公司			DWGNO.	